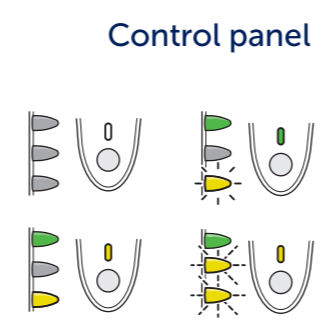
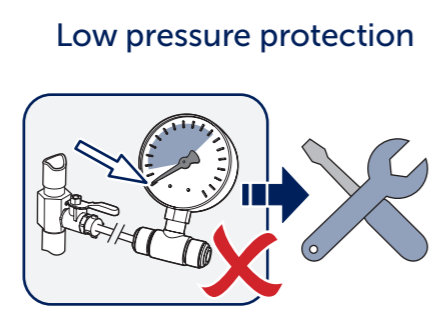
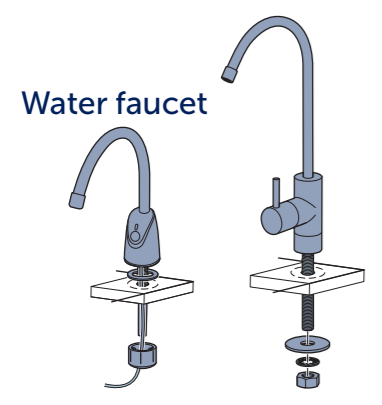
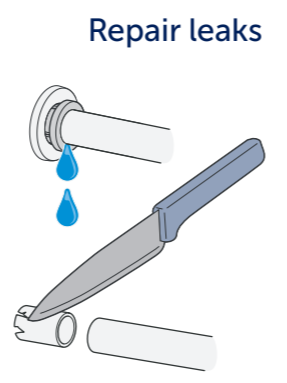
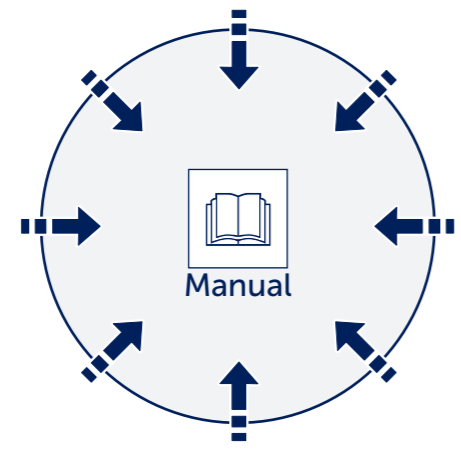
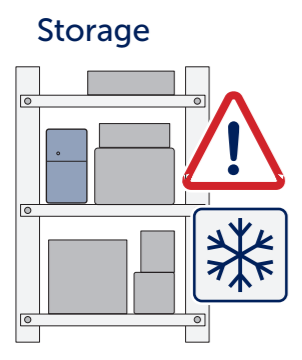
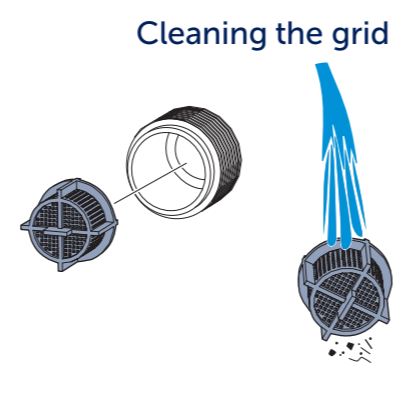
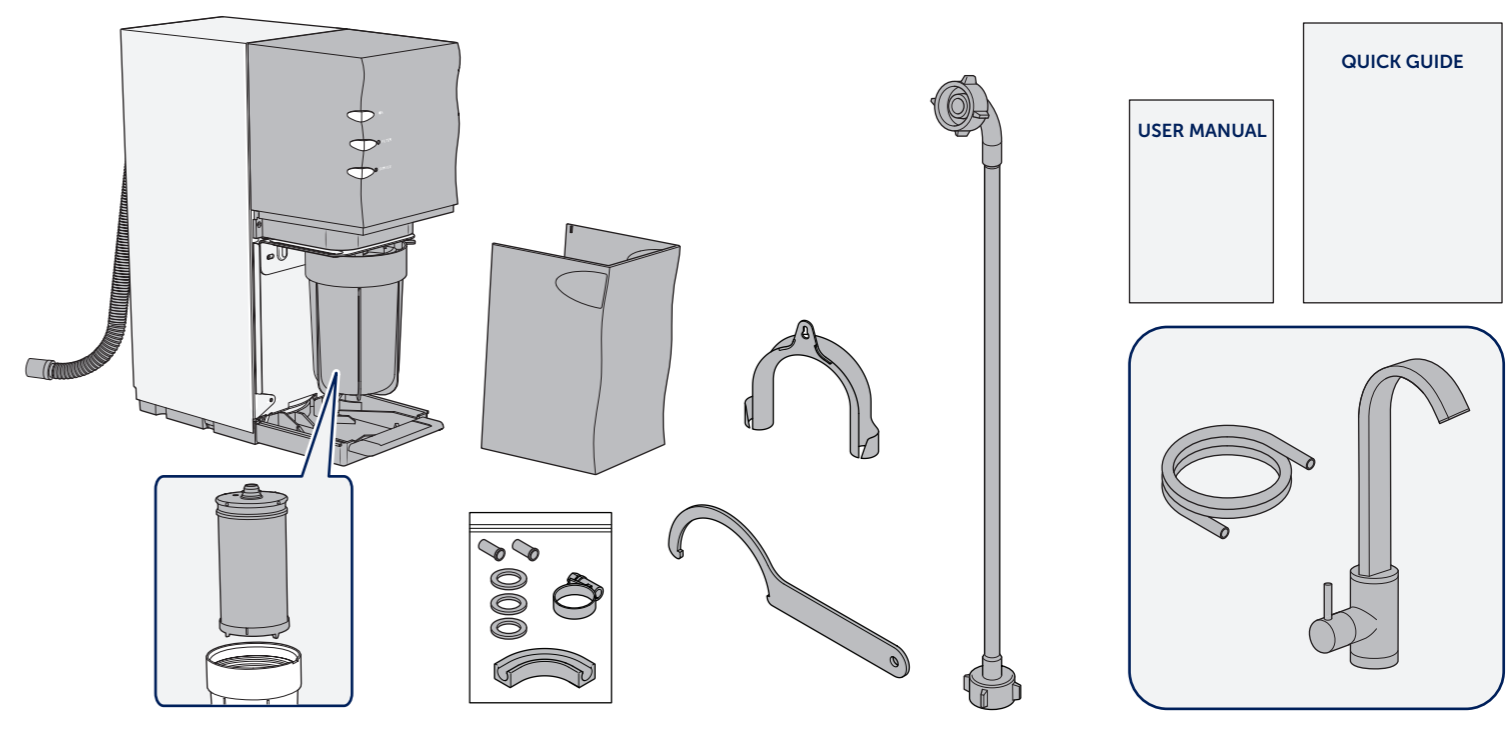


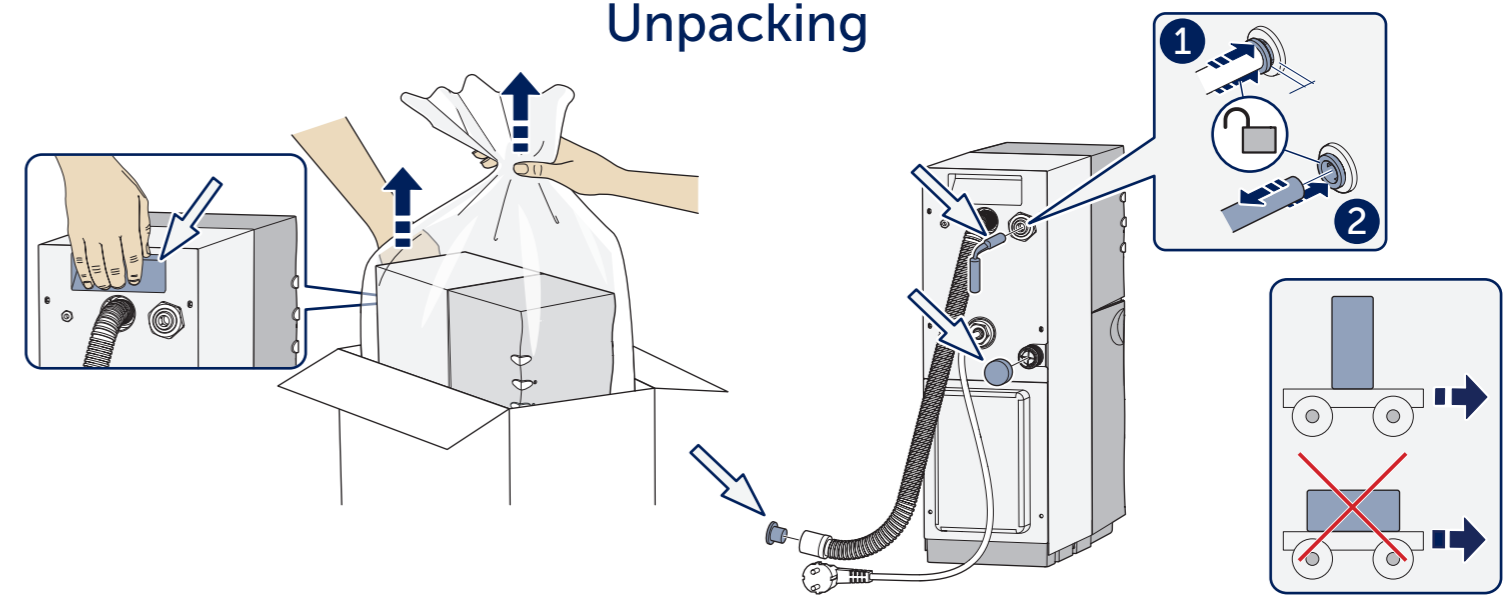
Troubleshooting and maintenance



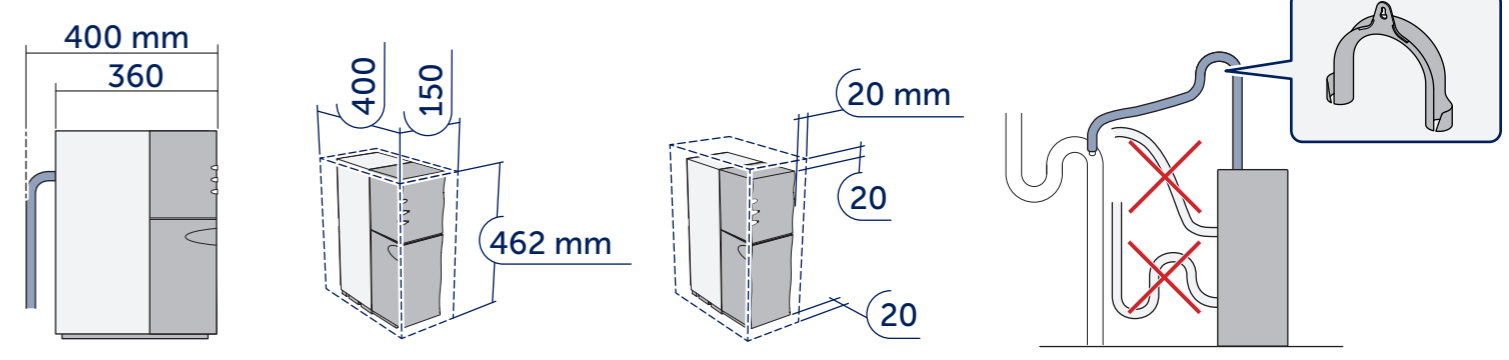
What is included



Unpacking

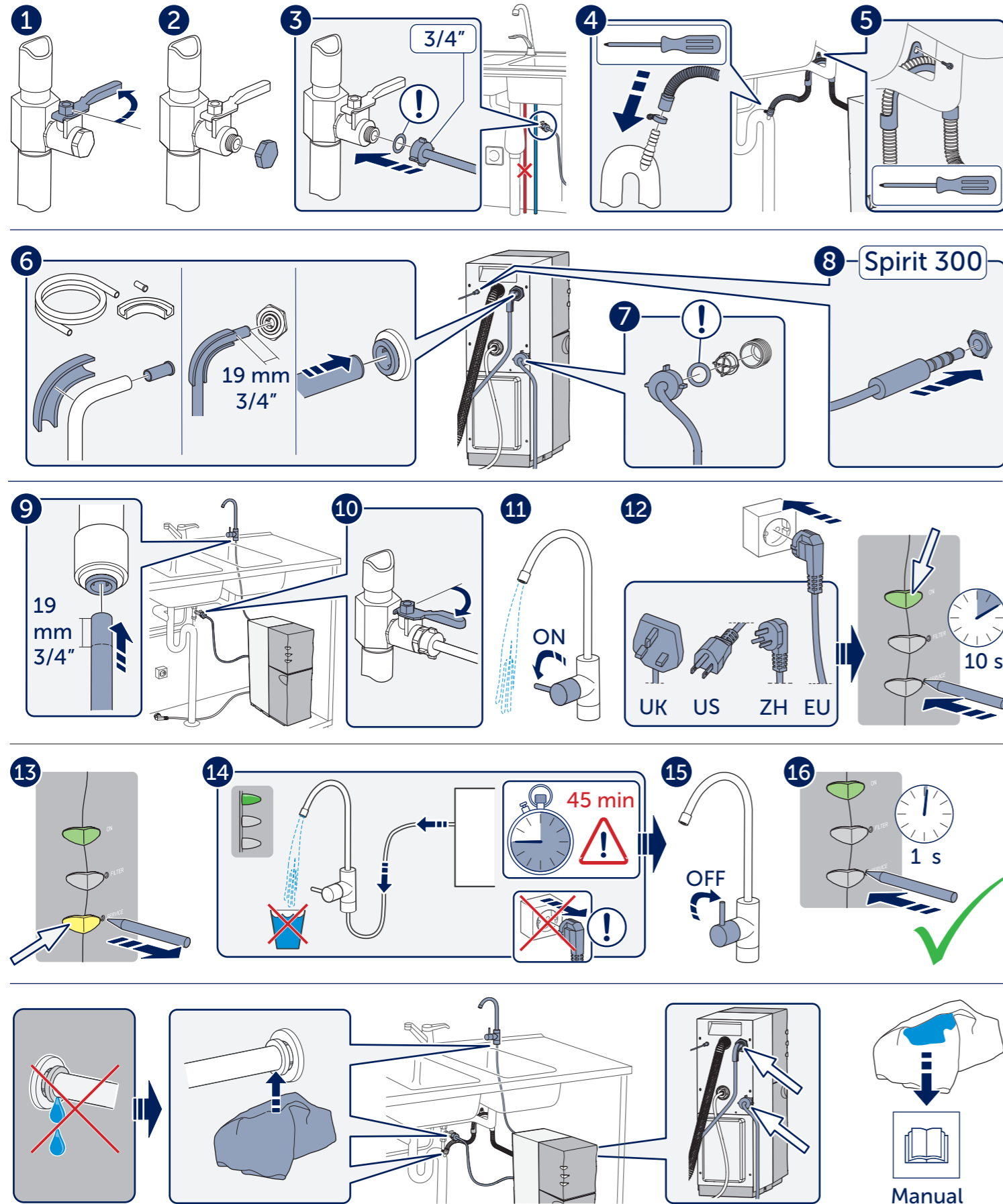


Installation



Document No 824000200 Revision 1914 © Bluewater Group 2019

Installation



Replace filter

