

Troubleshooting and maintenance

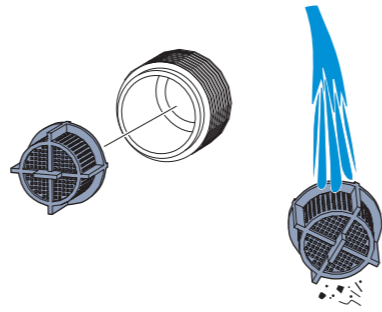
Disinfection



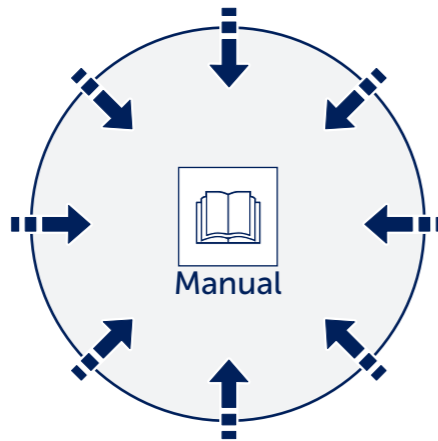
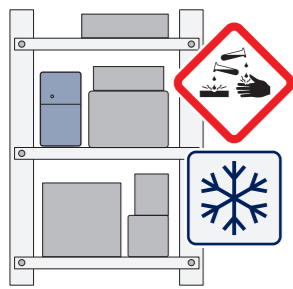
Descaling



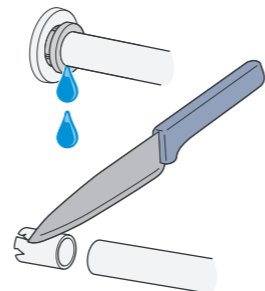
Cleaning the grid



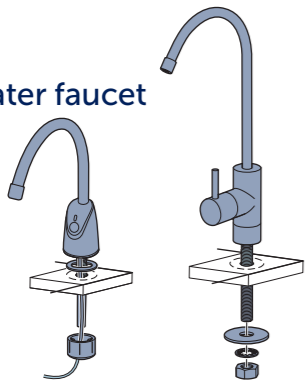
Storage



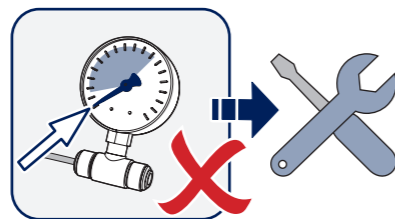
Repair leaks



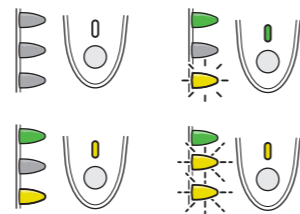
Water faucet



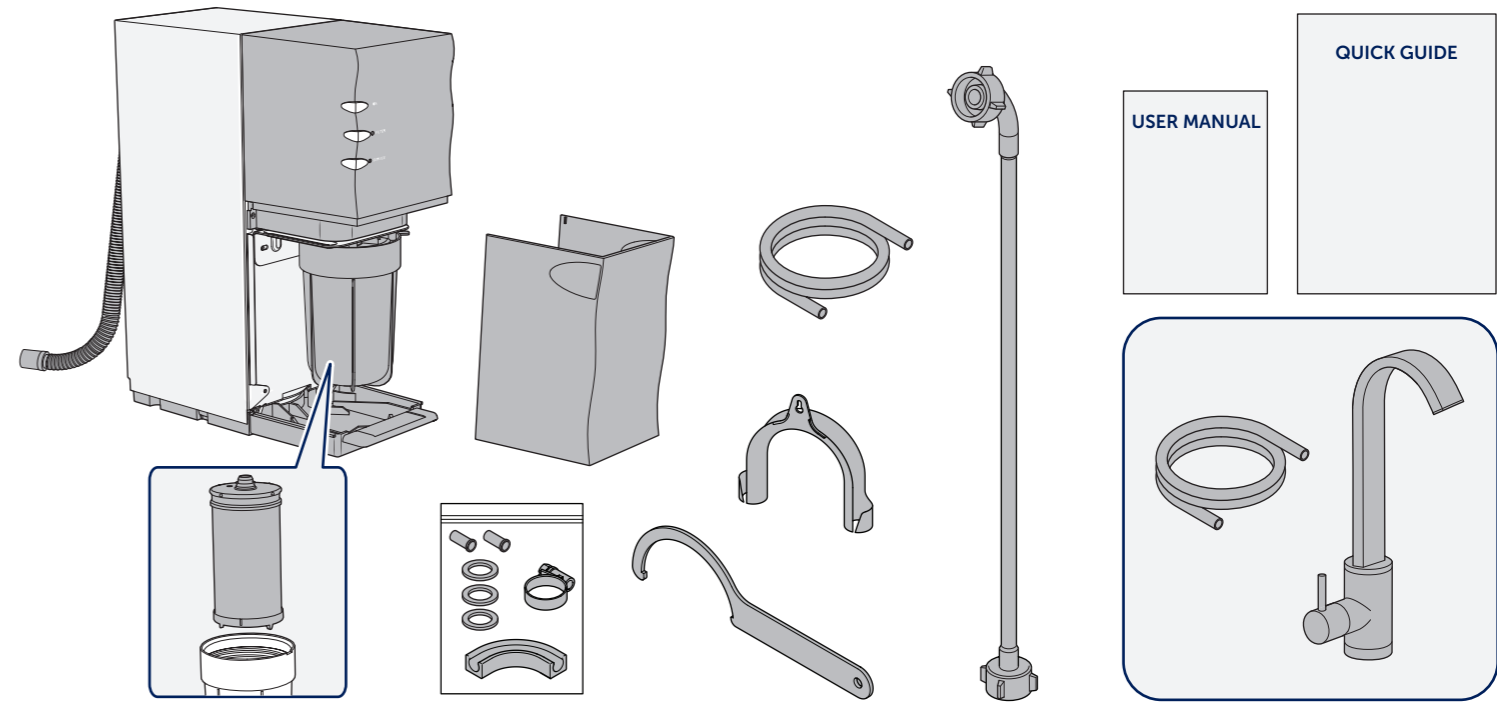
Low pressure protection



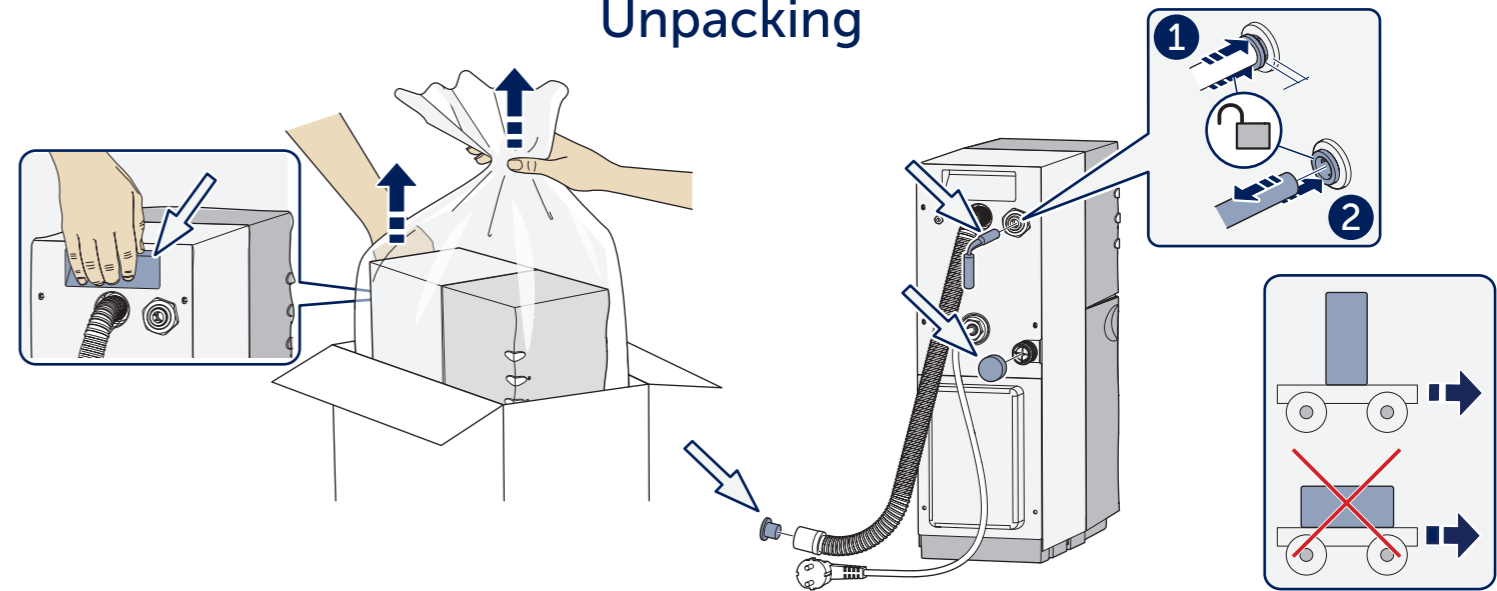
Control panel



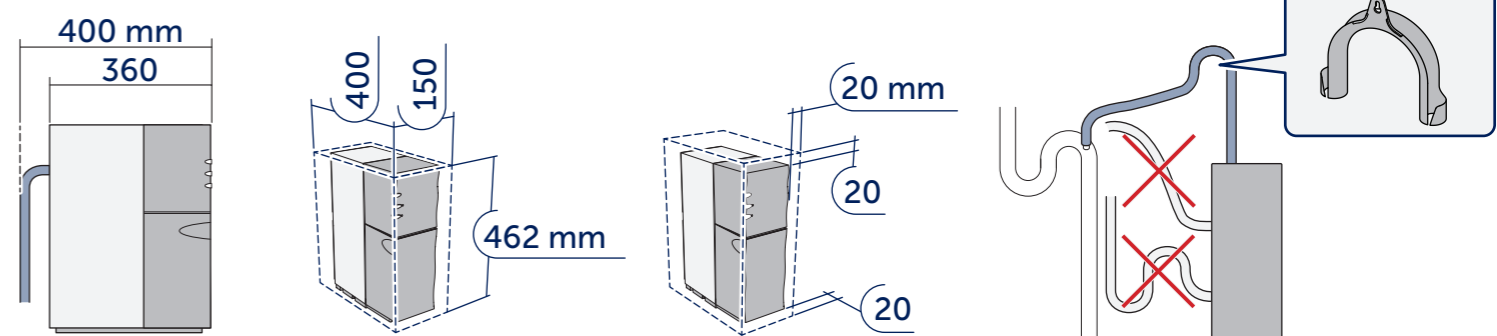
What is included



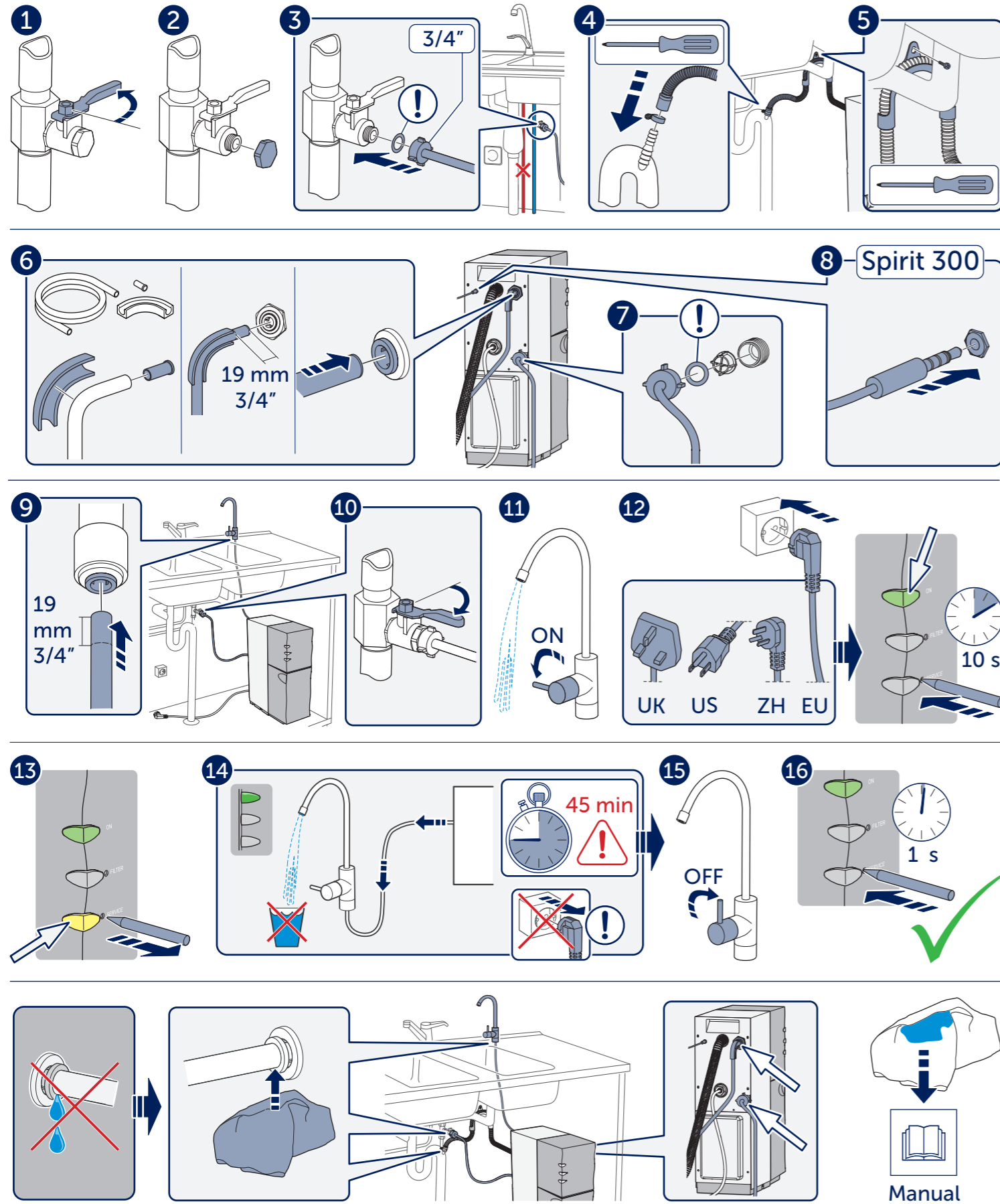
Unpacking



Installation



Document No 824000200 Revision 1909 © Bluewater Group 2019

Installation

Replace filter
