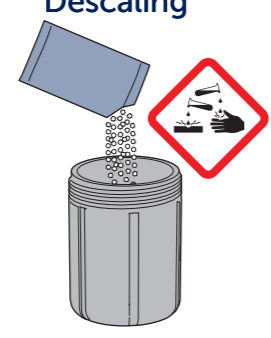


**Troubleshooting and maintenance**

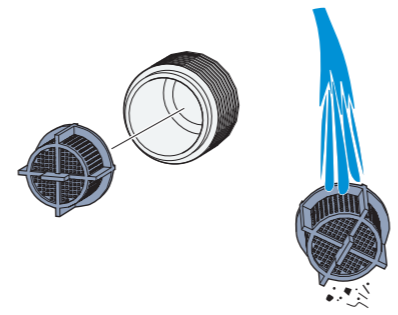
**Disinfection**



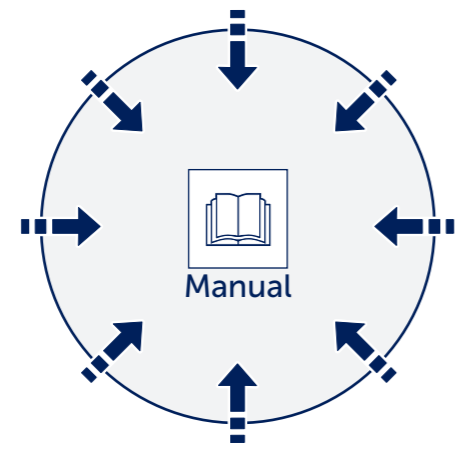
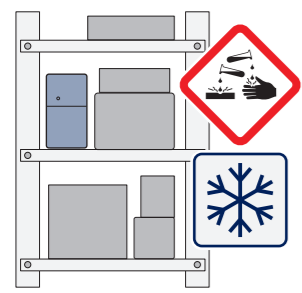
**Descaling**



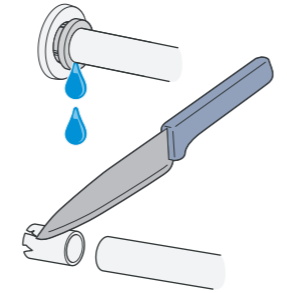
**Cleaning the grid**



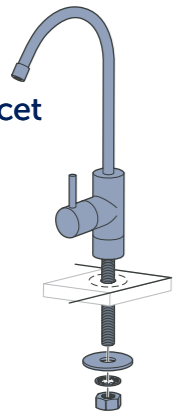
**Storage**



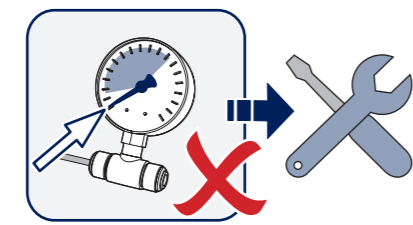
**Repair leaks**



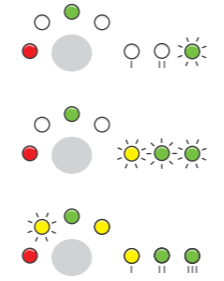
**Water faucet**



**Low pressure protection**



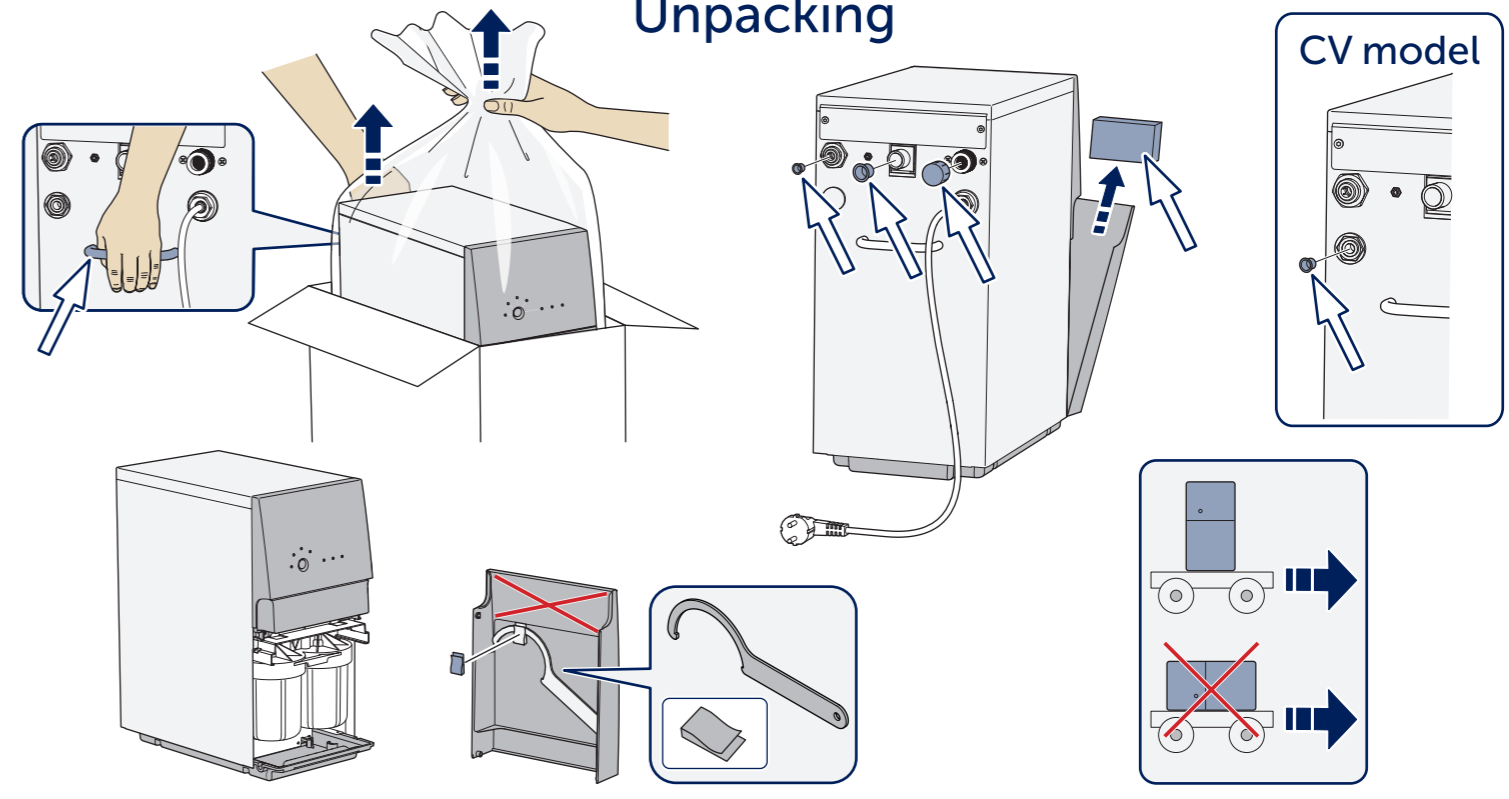
**Control panel**



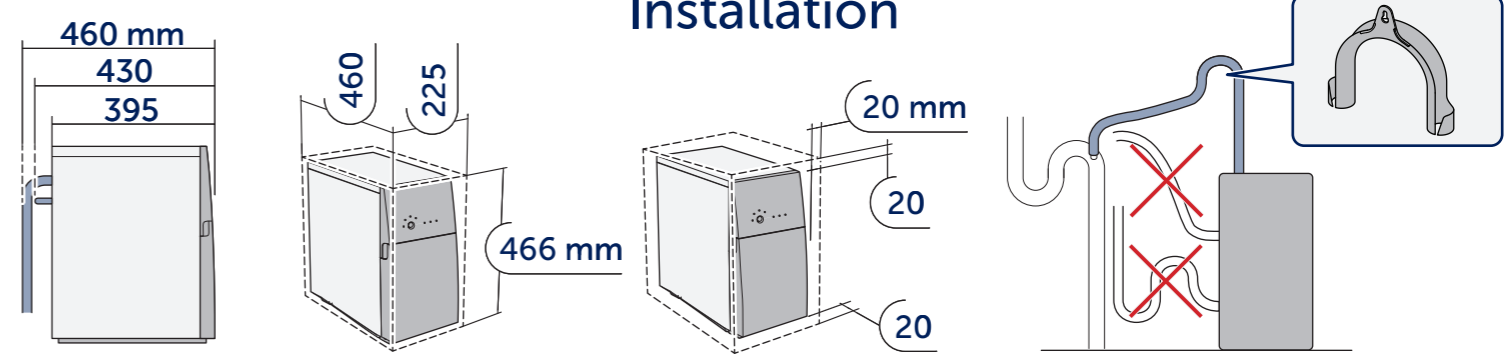
**What is included**



**Unpacking**

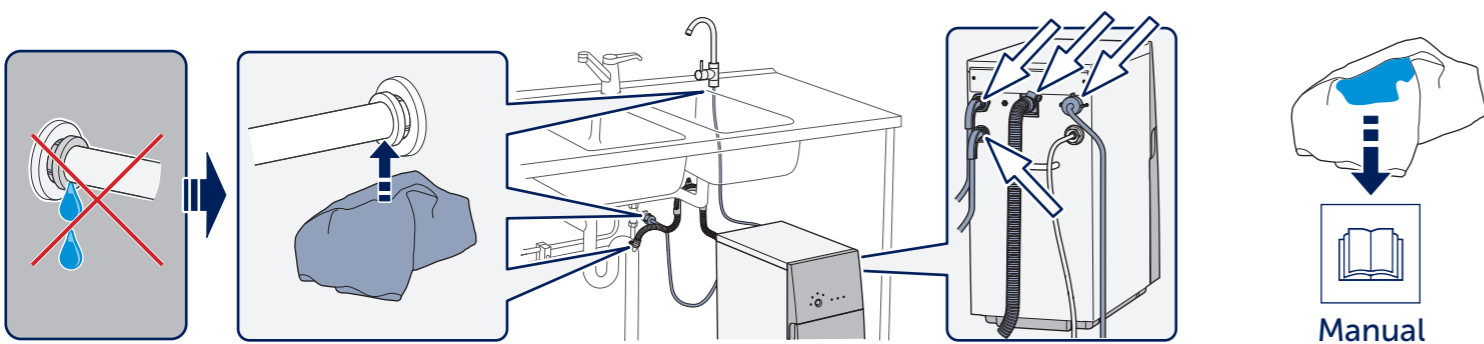
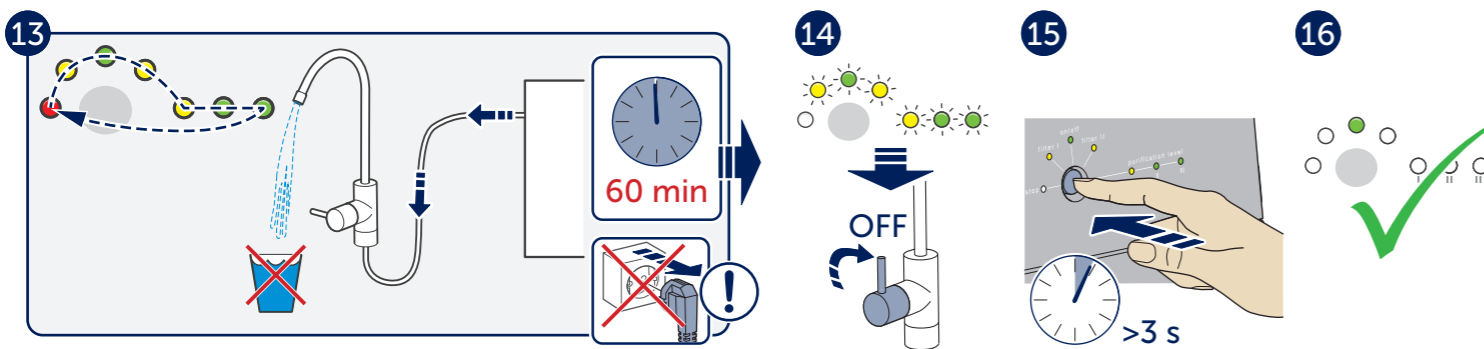
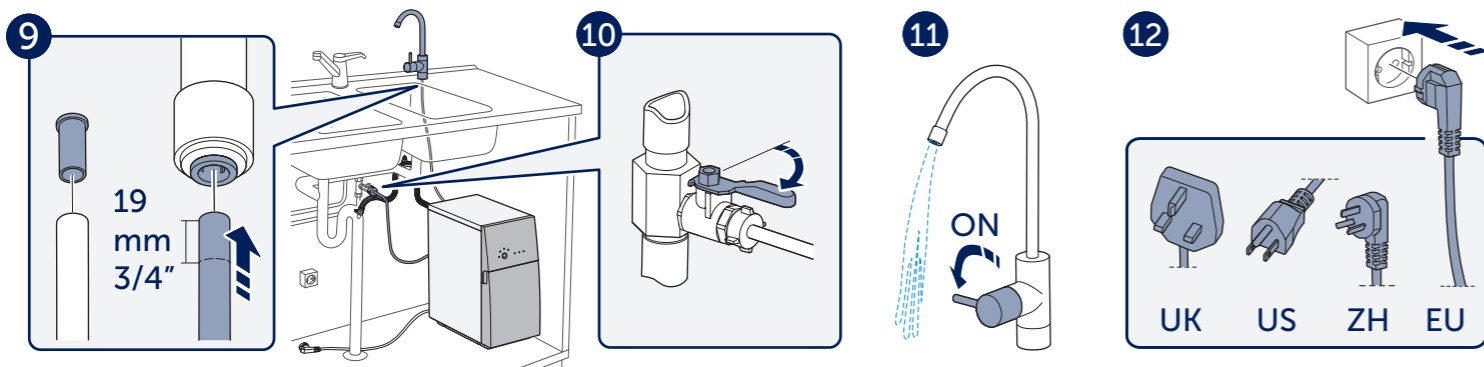
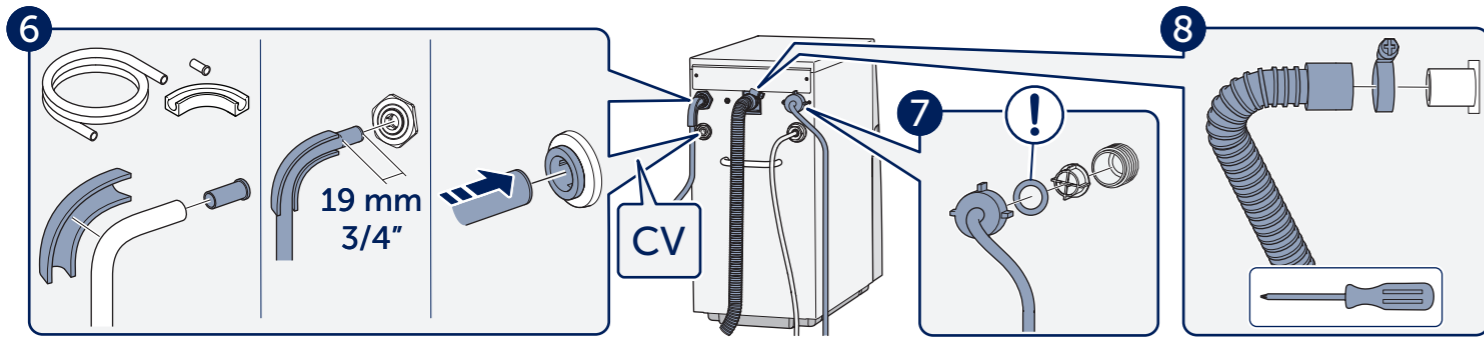
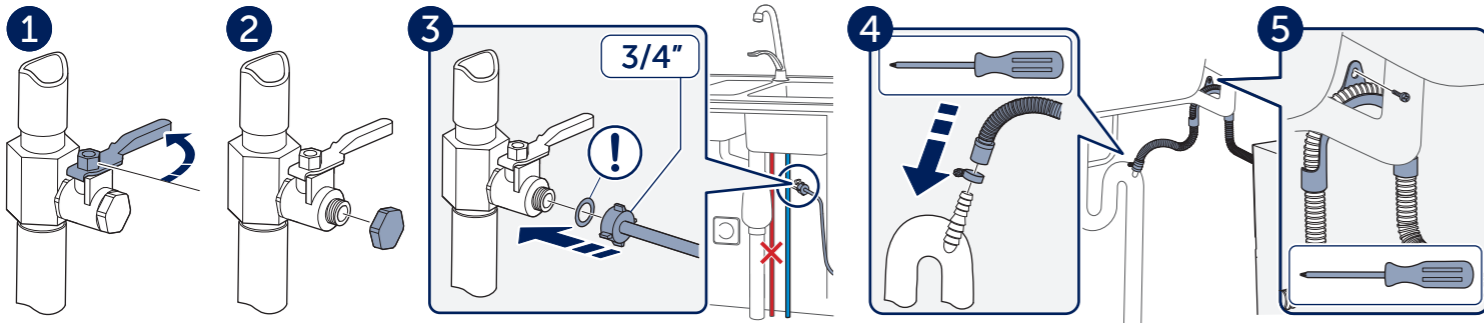


**Installation**



Document No 8240001.00 Revision 1909 © Bluewater Group 2019

## Installation



## Replace filters

