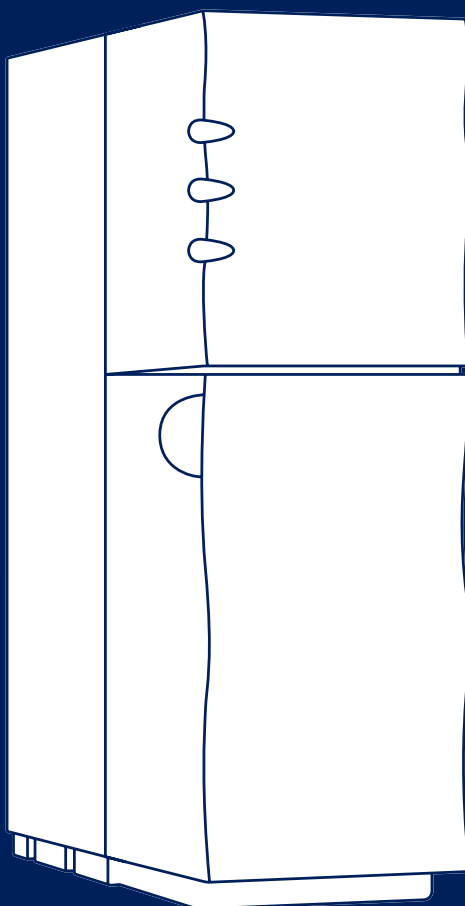


Applies only to products with serial number 1804-61001 and later

SPARE PARTS, CONSUMABLES, AND ACCESSORIES CATALOG

US 120V



BLUEWATER SPIRIT WATER PURIFIER



TABLE OF CONTENTS

INTRODUCTION	3
MODELS	3
COMPONENTS	4
SPARE PARTS	6
ACCESSORIES	8
CONSUMABLES	8
KITS	9
ORDER	10
DISCLAIMER	10

This manual is made to be printed as a double-sided A4 or A5 booklet.

INTRODUCTION

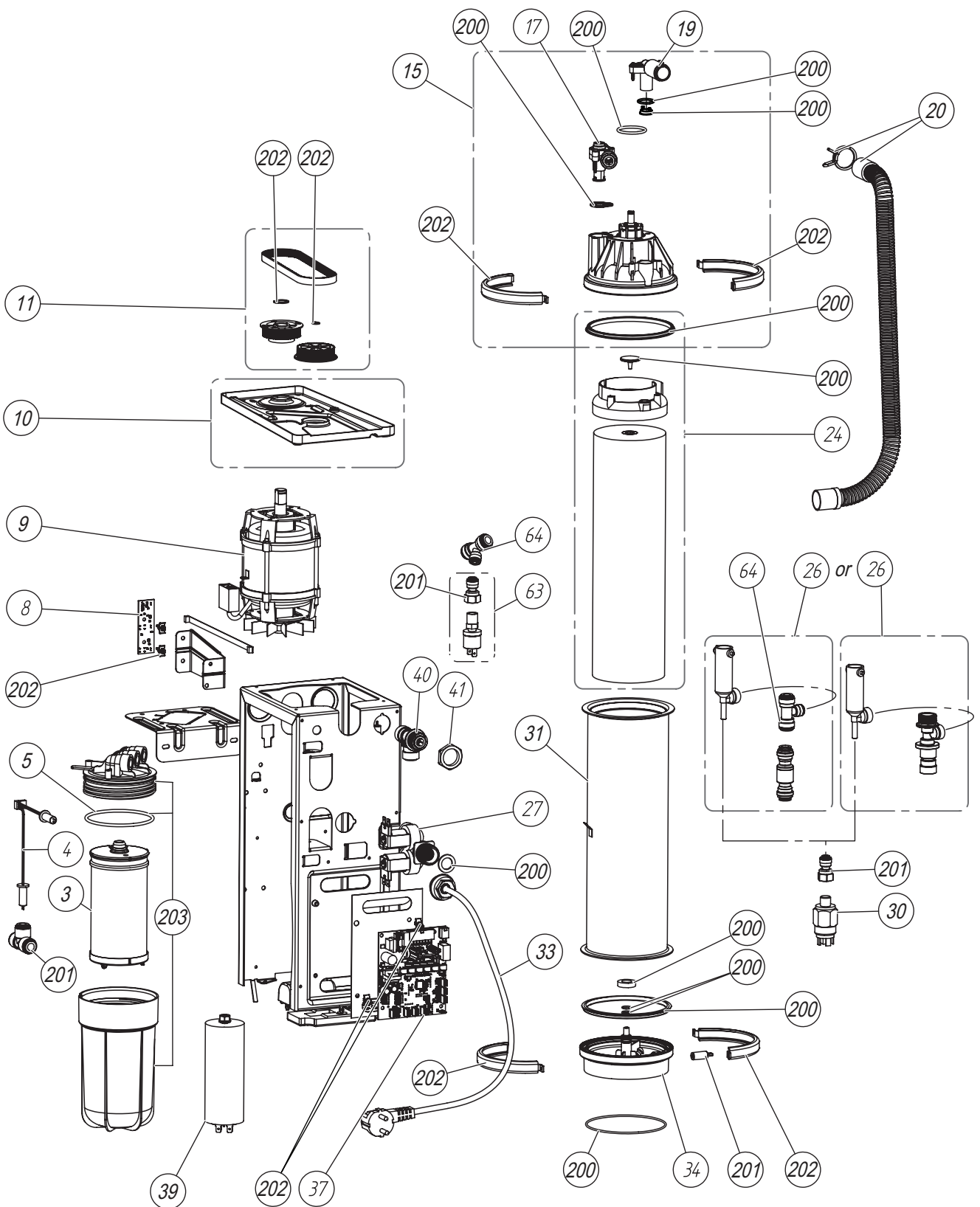
Regular maintenance, genuine spare parts and consumables assure the performance and lifespan of your product. To eliminate mistakes, when ordering spare parts, always start by identifying your model name and product number and use them to determine the correct spare part number.

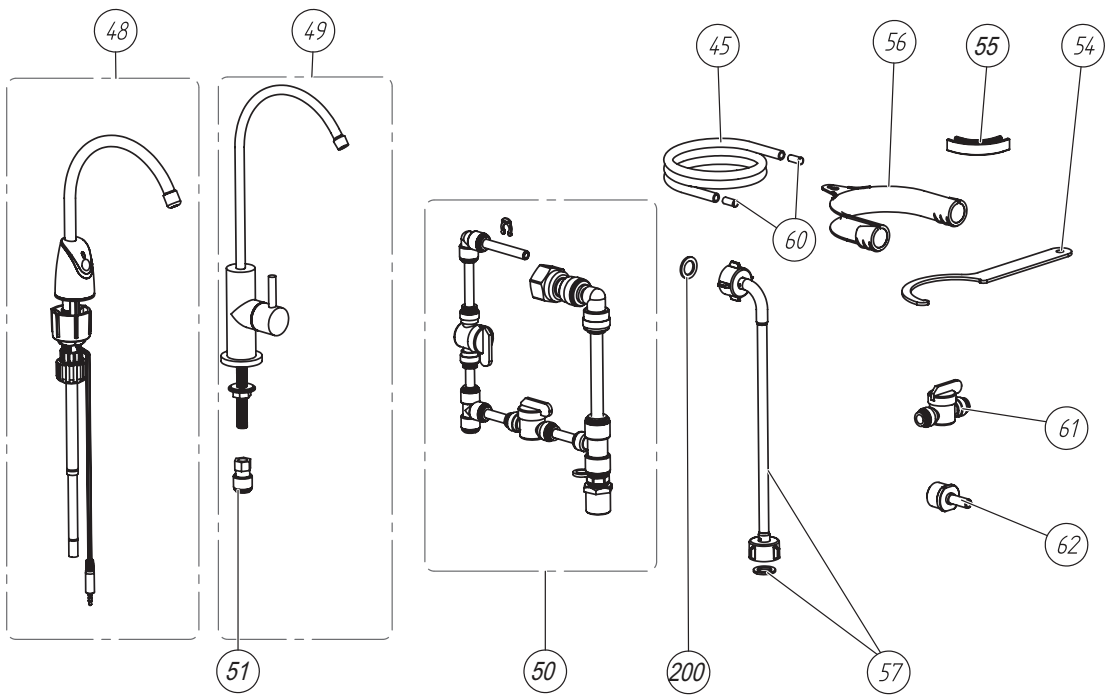
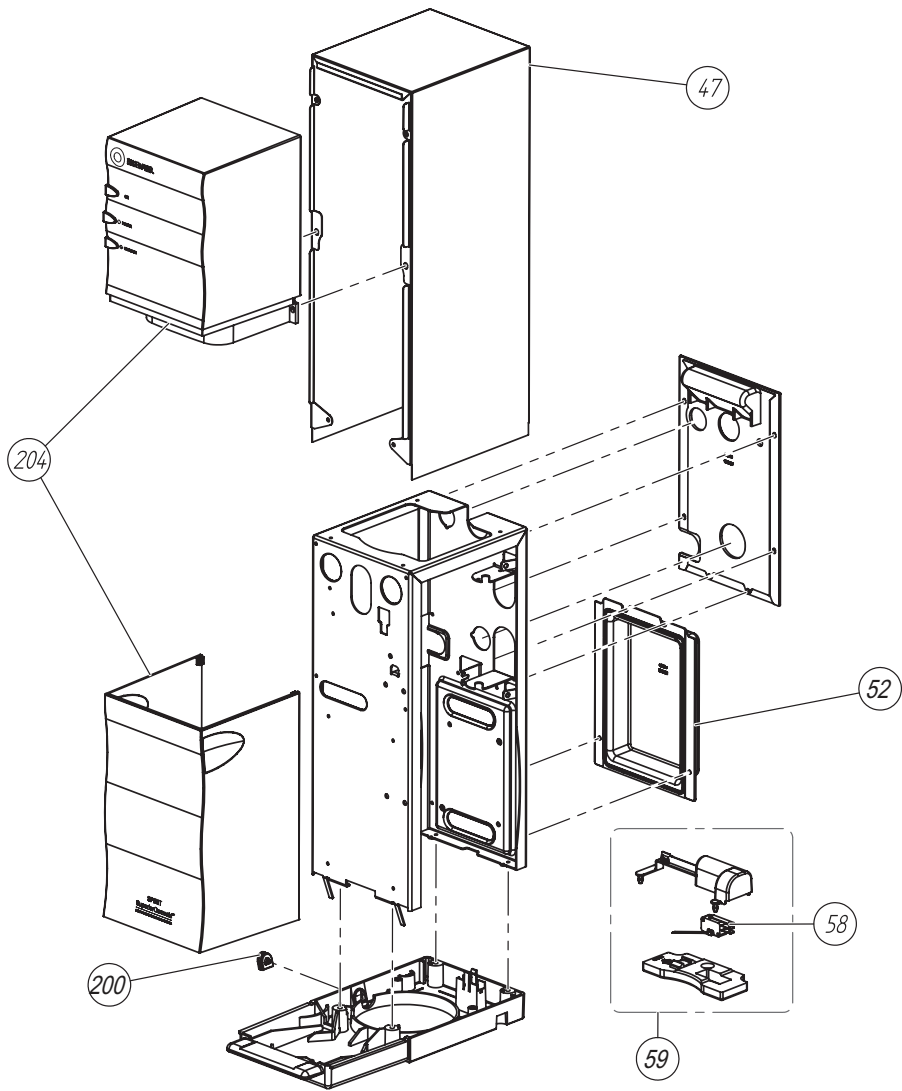
Please note that this catalog is updated regularly, which means the spare part numbers will also change regularly. You can always find the latest edition of this document at bluewatergroup.com.

MODELS

Model	Product no.	Membrane	Reference
Spirit 300Cp-HR US 120V	919260254	HR	C
Spirit 300-HF US 120V	919260255	HF	A

COMPONENTS





SPARE PARTS

Pos	Spare part no.	Description	Reference	Units in box (pcs)
3	919260004	Carbon filter, granulated, Spirit-series, single pack	Consumables, all models	1
3	919260014	Carbon filter, granulated, Spirit-series, pack of 20	Consumables, all models	20
3	919260024	Carbon filter, granulated, Spirit-series, pack of 48	Consumables, all models	48
4	150796601-SP	Conductivity sensor, Spirit-series	All models	1
5	150707003-SP	O-ring, 82.14x3.35	All models	10
8	155031100-SP	LED board, front, Spirit-series (new)	All models	1
9	150745001-SP	Motor 120V/400W, Spirit-series	All models	1
10	155022600-SP	Holder motor plate complete, Spirit-series	All models	1
11	155022700-SP	Driving system kit, Spirit-series	All models	1
15	160739580-SP	Pump service kit, Spirit-series, from serial no 180461001	All models	1
17	160765380-SP	Pressure regulating valve, Spirit-series, from serial no 180461001	All models	10
19	160759480-SP	Valve, drain, Spirit-series, from serial no 180461001	All models	5
20	150758100-SP	Drain hose, Spirit-series	All models - installation	5
24	150759380-SP	Membrane service kit Spirit-series, High Flow (HF)	All models with membrane HF	1
24	155007301-SP	Membrane service kit Spirit-series, High Rejection (HR)	All models with membrane HR	1
26	155058100-SP	Check valve and accumulator, kit, from serial no 192261001	Ref C	10
27	150740181-SP	Valve, inlet, Spirit-series, 120V	All models	1
30	155006300-SP	Pressure switch, Spirit-series	Ref C	1
31	160744300-SP	Pressure vessel, Spirit-series, from serial no 180461001	All models	1
33	150757001-SP	Cord set complete, US, Spirit-series	All models	1
34	160739480-SP	Bottom part, pressure vessel, kit, Spirit-series, from serial no 180461001	All models	1
37	155071702-SP	Circuit Board (new PCBA), Spirit 300 (non-Cp), 100-240V	Ref A	1
37	155071704-SP	Circuit Board (new PCBA), Spirit 300Cp, 100-240V	Ref C	1
39	150746401-SP	Capacitor, 40µF for 120V, Spirit-series	All models	1
40	150756000-SP	Connection, pure water outlet, Spirit-series	All models	10
41	150717100-SP	Nut, plastic, for pure water outlet	All models	10
45	150710085-SP	Hose PE 3/8" 2m (6.6 ft)	All models - installation	1
45	150710091-SP	Hose PE 3/8" 10m (33ft)	All models - installation	1
47	150747100-SP	Cover, white, metal sheet, Spirit-series	All models	1
48	160748001-SP	Faucet for drinking water, electronic, Spirit (not -Cp)	Ref A - Accessory	5
49	-	Faucet for drinking water, for Spirit 300Cp	Ref C - Expired, see section "Accessories"	
50	155007501-SP	By-pass kit	All models - Accessory	1
51	150736500-SP	Quick connector, tap 7/16" to hose 3/8"	Ref C - Accessory	5
52	160746100-SP	Cover, electric, Spirit-series, w/o opening for faucet connector	All models	1
54	150704500-SP	Filter wrench	All models - installation	10
55	150706800-SP	Holder for 3/8" hose	All models - installation	5
56	150790300-SP	Holder, drain hose	All models - installation	10
57	155010000-SP	Hose, inlet, PEX, 10x2	All models - installation	5
58	155004801-SP	Microswitch, leakage detection	All models	1
59	155022800-SP	Leakage detection kit, Spirit-series	All models	1
60	150726900-SP	Insert, 3/8" hose	Ref C - Installation	10
61	155014300-SP	Shut-off valve, hose 3/8"	Ref C - Installation	1
62	155016601-SP	Adaptor, stem 3/8" to male G3/4"	Ref C - Installation	10
63	155040200-SP	Low pressure switch, with quick connector, Spirit-series	All models	1

Pos	Spare part no.	Description	Reference	Units in box (pcs)
64	155032200-SP	Quick connector, reducing tee, 3/8" to 1/4"	All models	5
200	155026600-SP	O-ring and gasket kit, Spirit	All models - Kit	1
201	155026700-SP	Quick connector kit, Spirit	All models - Kit	1
202	155026800-SP	Fixtures, Spirit	All models - Kit	1
203	155057700-SP	Prefilter assembly kit, Spirit-series	All models	1
204	155057800-SP	Plastic enclosures, kit, Bluewater branded for Spirit	All models, Bluewater branded	1

ACCESSORIES

Pos	Accessory no.	Description	Reference	Units in box (pcs)
48	160748001-SP	Faucet for drinking water, electronic, Spirit (not -Cp)	Ref A	5
49	919240945	Bluewater Pure water faucet	Ref C	1
49	919240946	Bluewater Pure water faucet with LED	Ref C	1
49	919240947	Bluewater 3-way faucet	Ref C	1
50	155007501-SP	By-pass kit	Ref C	1
51	150736500-SP	Quick connector tap 7/16" to hose 3/8"	Ref C, suitable to tap with 7/16" thread	5

CONSUMABLES

Pos	Consumable no.	Description	Reference	Units in box (pcs)
3	919260004	Carbon filter, granulated, Spirit-Series, single pack	All models	1
3	919260014	Carbon filter, granulated, Spirit-Series, pack of 20	All models	20
3	919260024	Carbon filter, granulated, Spirit-Series, pack of 48	All models	48
-	150721701-SP	Grease, for o-rings, 10 grams	All models	1
-	150711600-SP	Sealing Tape, roll, 33 m x 50 mm	All models	5
-	150720602-SP	Preservative anti-freeze, 1 liter bottle	All models	1
-	150720606-SP	Preservative anti-freeze, 1 liter bottle, 6 bottles	All models	6
-	150720701-SP	Descaling agent, 200 grams	All models	1
-	150720720-SP	Descaling agent, 200 grams, 30 packages	All models	30

KITS

Pos 200	155026600-SP	O-ring and gasket kit, Spirit series	Kit (pcs)
-	150744001-SP	Gasket, pressure regulating valve, Spirit-series	10
-	150707015-SP	O-ring 32.3x3	5
-	160744600-SP	Gasket, pressure vessel, Spirit-series	20
-	150742800-SP	Sealing, pump side lower, Spirit-series	5
-	155010101-SP	Gasket, for nut inlet hose 3/4"	10
-	150745200-SP	Cushion, bottom membrane vessel	5
-	150707014-SP	O-ring, 100x2	5
-	150754600-SP	Plug, rubber, baseplate, Spirit-series	5
-	150754000	Gasket, drain valve inner, Spirit-series	5
-	150707008	O-ring, 15.6x1.78 (drain valve, Spirit)	5
-	150707007	O-ring, 9.1x1.6 (bottom part, pressure vessel, Spirit)	5

Pos 201	155026700-SP	Quick connector kit, Spirit series	Kit (pcs)
-	150717800-SP	Quick connector, equal tee, 3/8"	5
-	155009000-SP	Quick connector, Female 1/4" to hose 1/4"	5
-	160753900-SP	Plug, plastic, 3/8"	5

Pos 202	155026800-SP	Fixtures, Spirit series	Kit (pcs)
-	150712200-SP	Snap-in, holder PCB	10
-	150701903-SP	Retaining ring, motor, Spirit-series	10
-	150701902-SP	Retaining ring, pump, Spirit-series	10
-	160744700-SP	Locking ring, Spirit-series	6

ORDER

It is important to assure that you have the correct product number and have identified the correct spare part in the list above. Place your order on orders@bluewatergroup.com.

DISCLAIMER

Bluewater water purification products must be installed and maintained by qualified service professionals. Installing or maintaining Bluewater products without appropriate training may lead to serious property damage, personal injury, or death. We therefore discourage independent installation or repairs. Make sure to always use original spare parts to guarantee the water and product quality. The information and instructions provided by Bluewater are intended for use by Bluewater authorized service technicians and other qualified professionals.

	Bluewater global website bluewatergroup.com		Bluewater China website
---	--	--	-------------------------

This page intentionally left blank

Bluewater is a world leading water purification company. Headquartered in Stockholm, Sweden, the company helps people and businesses globally enjoy the health and wellbeing benefits of cleaner, healthier tap water. Bluewater innovates, makes and sells compact water purifiers that harness the company's patented reverse osmosis technology to remove virtually all pollutants from tap water, including lead, bacteria, pesticides, medical residues, chlorine and lime-scale.

Please visit us at bluewatergroup.com



BLUEWATER

Danderydsgatan 11
SE-114 26 Stockholm
Sweden
E: hello@bluewatergroup.com

bluewatergroup.com

