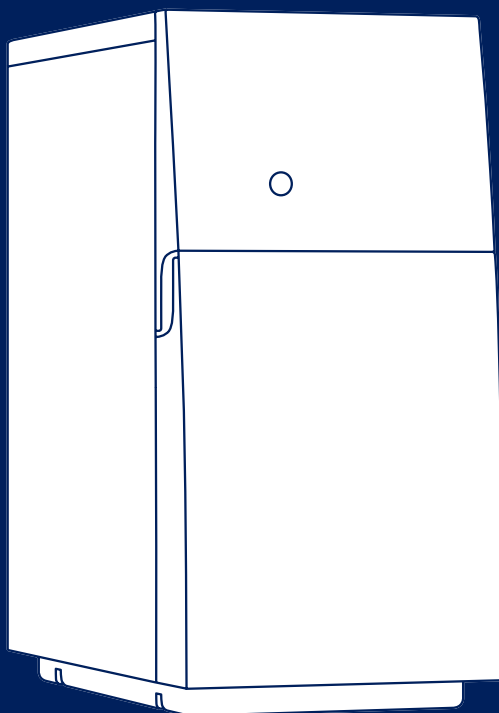


Applies only to products with serial number 1845-01000 and earlier

SPARE PARTS, CONSUMABLES, AND ACCESSORIES CATALOG

US



BLUEWATER PRO WATER PURIFIER



TABLE OF CONTENTS

INTRODUCTION	3
MODELS	3
COMPONENTS	4
SPARE PARTS	7
ACCESSORIES	9
CONSUMABLES	9
KITS	10
ORDER	11
DISCLAIMER	11

This manual is made to be printed as a double-sided A4 or A5 booklet.

INTRODUCTION

The Bluewater Pro water purifier is designed to turn your tap water into healthier drinking water. Innovated with love in Sweden, Bluewater's SuperiorOsmosis™ technology improves quality of life, health and wellbeing by removing practically all contamination, including microorganisms, pesticides, heavy metals and toxins.

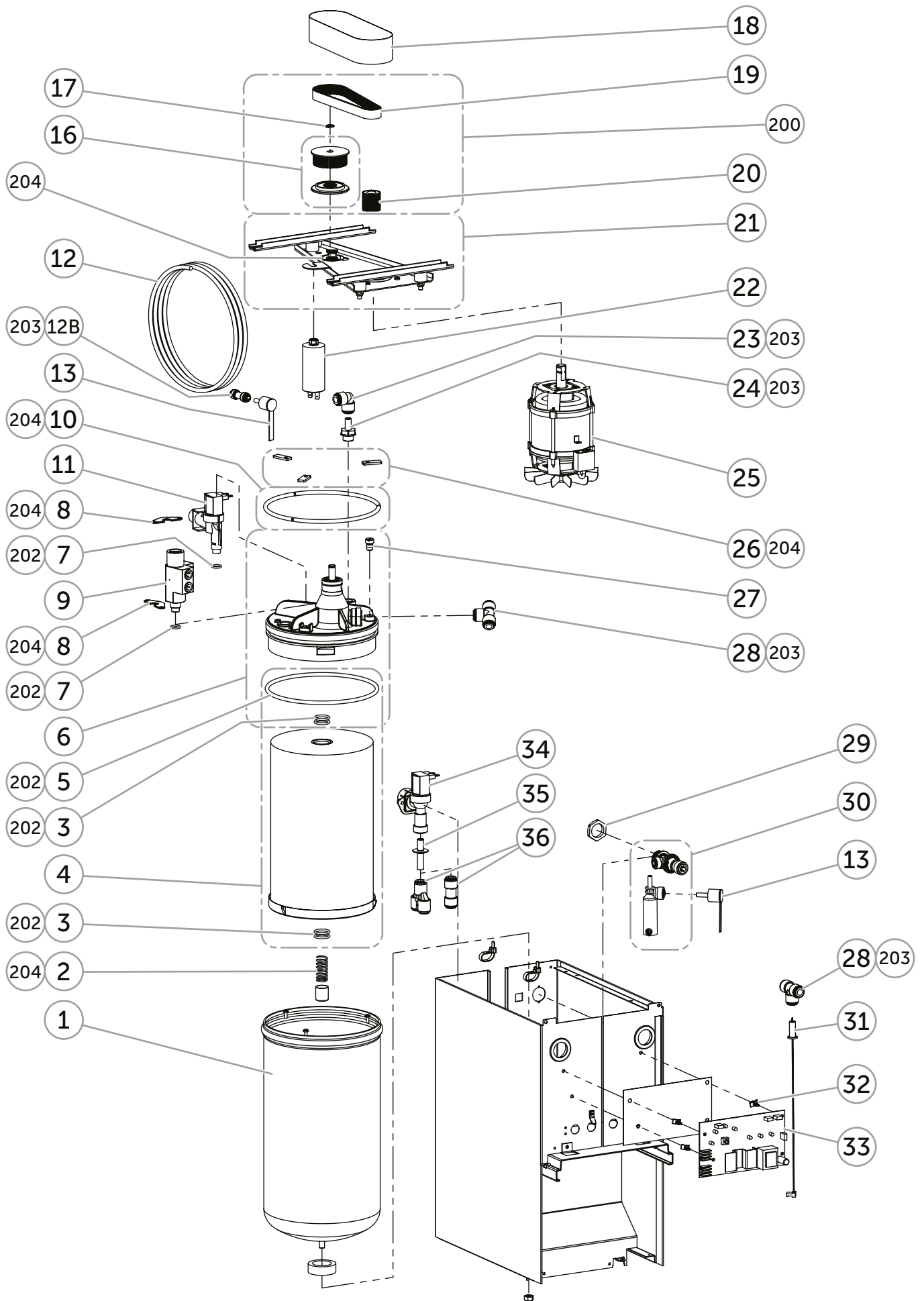
Regular maintenance, genuine spare parts and consumables assure the performance and lifespan of your product. To eliminate mistakes, when ordering spare parts, always start by identifying your model name and product number and use them to determine the correct spare part number.

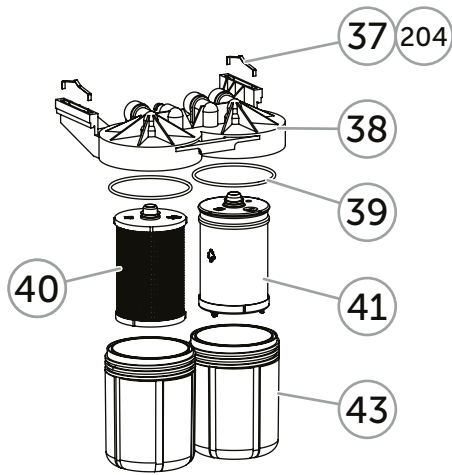
Please note that this catalog is updated regularly, which means the spare part numbers will also change regularly. You can always find the latest edition of this document at www.bluewatergroup.com

MODELS

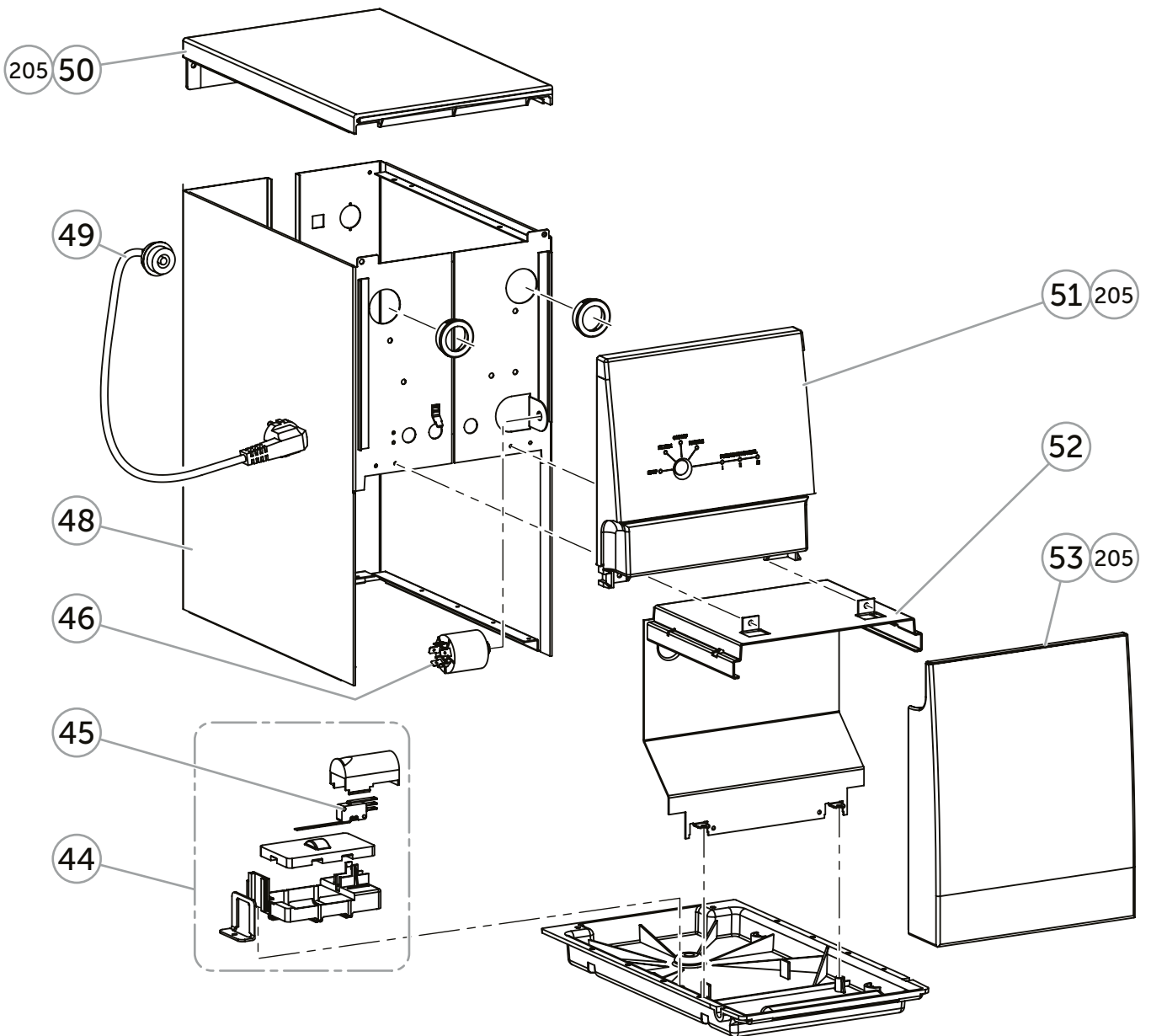
Model	Product no.	Model range	Membrane	Reference
Bluewater Pro 400C-HF US	919240150	Pro 400 series	HF	A
Bluewater Pro 400CV-HR US	919240151	Pro 400 series	HR	A
Bluewater Pro 400BC-HR US	919240155	Pro 400 series	HR	B

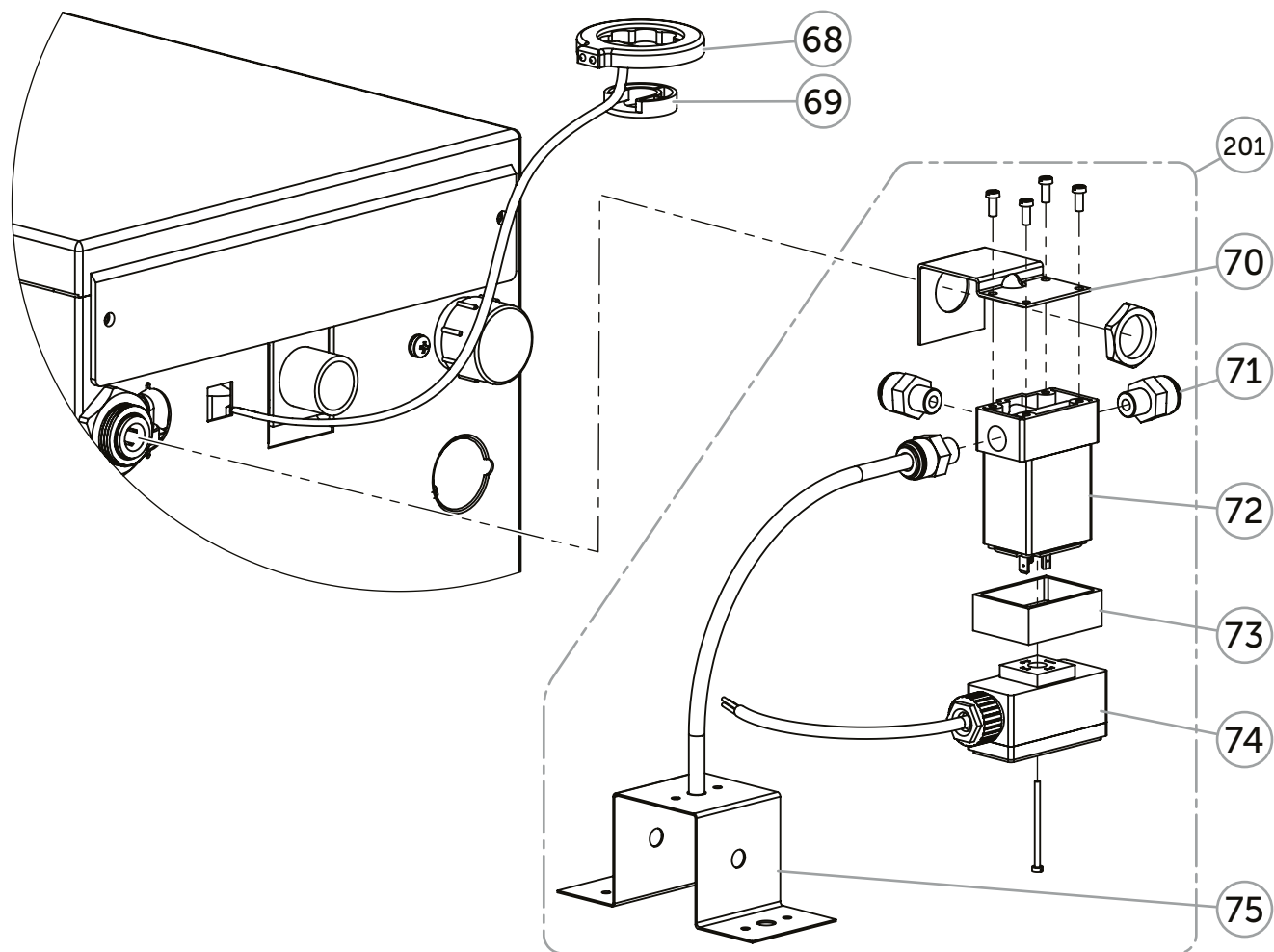
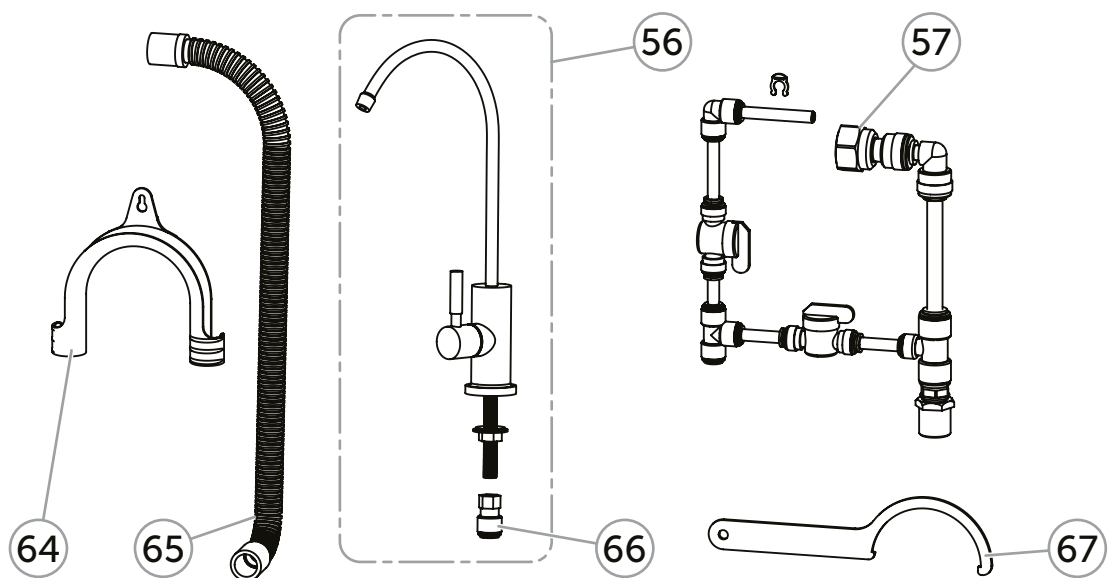
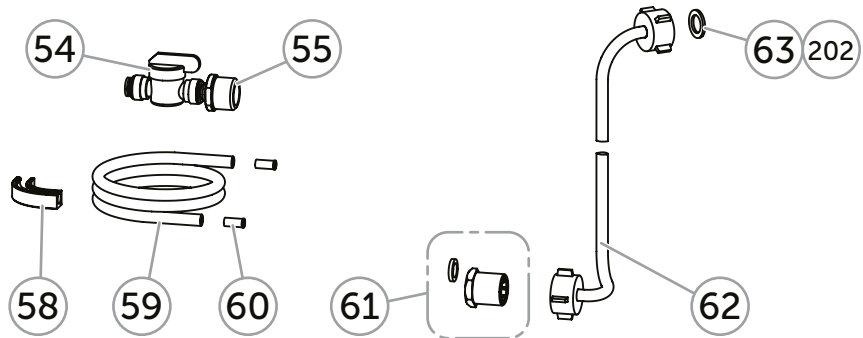
COMPONENTS





PRO 400-series





SPARE PARTS

Pos	Spare part no.	Description	Reference	Units in box (pcs)
1	150701200-SP	Pressure vessel, PRO-series	All models	1
2	150704001-SP	Spring, support membrane, PRO-series	Expired, included in kit, pos 204	-
3	150707010-SP	O-ring, 19.2x3.0	Expired, included in kit, pos 202	-
4	150718900-SP	Membrane service kit PRO-series, High Rejection (HR)	All models with membrane HR	1
4	150718901-SP	Membrane service kit PRO-series, High Flow (HF)	All models with membrane HF	1
5	150707012-SP	O-ring, 169.3x5.7	Expired, included in kit, pos 202	-
6	150736301-SP	Pump service kit, PRO400-series (not B-version)	Ref A and C	1
6	150736302-SP	Pump service kit, PRO400-series, B/BCV-versions	Ref D and E	1
7	150707009-SP	O-ring, 11.3x2.4	Expired, included in kit, pos 202	-
8	150704800-SP	Bracket for valve, PRO-series	Expired, included in kit, pos 204	-
9	150727380-SP	Pressure regulating valve, PRO-series	All models	1
10	150701000-SP	Locking ring, PRO-series	Expired, included in kit, pos 204	-
11	150704701-SP	Valve drain, 120V, PRO400-series	All models	1
12	150702181-SP	Hose reel, 1/4" x 2 m	All models	1
12B	150721400-SP	Quick connector, straight, 1/4"	Expired, included in kit, pos 203	-
13	150750000-SP	Pressure sensor, PRO-series	All models	10
15	150723700-SP	Insulation ring, pump head, PRO-series	Expired, included in kit, pos 204	-
16	155016701-SP	Driving wheel kit, pump, PRO-series	All models	5
17	150701901-SP	Retaining ring, pump, PRO-series	Expired, included in kit, pos 204	-
18	150721800-SP	Dust protection foil	All models	10
19	150708300-SP	Driving belt, PRO-series	All models	10
20	155013500-SP	Driving wheel motor, PRO-series, up to year 2015, (2 pcs M4x4 included)	All models	5
20	155023000-SP	Driving wheel motor, PRO-series, from year 2015, US only (motor shaft with slot)	All models	5
21	155022300-SP	Holder motor complete, PRO-series	All models	1
22	150731800-SP	Capacitor, 60 µF for 120V, PRO-series	All models	5
23	150704300-SP	Quick connector, equal elbow, 3/8"	Expired, included in kit, pos 203	-
24	150705600-SP	Adaptor, stem 3/8" to male G3/8"	Expired, included in kit, pos 203	-
25	150729301-SP	Motor 120V/500W, with pulley, PRO400-series	All models	1
26	150714400-SP	Locking piece, PRO-series	Expired, included in kit, pos 204	-
27	150731100-SP	Plug, plastic, G1/8, PRO-series	All models	10
28	150717800-SP	Quick connector, equal tee, 3/8"	Expired, included in kit, pos 203	-
29	150717100-SP	Nut plastic for pure water outlet	All models	10
30	150715880-SP	Check valve and accumulator kit	All models	10
31	150746300-SP	Conductivity sensor, PRO-series, single sensor	All models	10
32	150712200-SP	Snap-in, holder PCB	Expired, included in kit, pos 204	-
33	155007201-SP	Circuit board 120V, PRO-series, C-versions	Ref A	1
33	155007202-SP	Circuit board 120V, PRO-series, BC-versions	Ref B	1
34	150707601-SP	Valve, inlet, 120V, PRO400-series	All models before serial number 171803001	1
34	150796801-SP	Valve, inlet, 120V, PRO400-series	All models from serial number 171803001	1
35	150798400-SP	Stem joint connector, 3/8"	All models from serial number 171803001	5
36	150764900-SP	Quick connector, equal straight, hose 3/8"	All models from serial number 171803001	5
37	150722700-SP	Retaining spring, filter lid, PRO-series	Expired, included in kit, pos 204	-
38	150718180-SP	Lid, prefilter, PRO400-series	All models before serial number 171803001	1
38	150718101-SP	Lid, prefilter, quick connectors, with barbed adapter	All models from serial number 171803001	1
39	150707011-SP	O-ring, 83.0x3.0	Replaced by 150707025-SP	-

Pos	Spare part no.	Description	Reference	Units in box (pcs)
39	150707025-SP	O-ring, 84.5x3.0	All models	20
40	919240002	Sediment filter, PRO400-series, single pack	Consumables	1
40	919240012	Sediment filter, PRO400-series, pack of 20	Consumables	20
40	919240022	Sediment filter, PRO400-series, pack of 64	Consumables	64
41	919240003	Carbon filter, granulated, PRO400-series, single pack	Consumables	1
41	919240013	Carbon filter, granulated, PRO400-series, pack of 20	Consumables	20
41	919240023	Carbon filter, granulated, PRO400-series, pack of 64	Consumables	60
43	150700300-SP	Filter container, PRO-series	All models	5
44	155021900-SP	Leakage detection kit, PRO-series	All models	1
45	155004801-SP	Microswitch leakage detection	All models	1
46	155021700-SP	Disturbance protection (RFI-filter)	All models	1
48	150709101-SP	Cabinet, white, PRO-series	All models	1
49	150724003-SP	Cord set complete, US plug, PRO-series	All models - US power plug	1
50	150706200-SP	Lid, white PRO-series	Expired, replaced by kit, pos 205	-
50	150706202-SP	Lid, light-grey, PRO-series	Expired, included in kit, pos 205	-
51	150723383-SP	Display panel complete, white, PRO-series, neutral	Expired, replaced by kit, pos 205	-
51	150723313-SP	Display panel complete, white, PRO-series, Bluewater branded	Expired, replaced by kit, pos 205	-
51	150723310-SP	Display panel complete, grey, PRO-series, Bluewater branded	Expired, included in kit, pos 205	-
51	150723320-SP	Display panel complete, grey, PRO-series, neutral	Expired, included in kit, pos 205	-
52	150712800-SP	Slide rail, filter lid, PRO400-series	All models	1
53	150723284-SP	Door, white, PRO-series	Expired, replaced by kit, pos 205	-
53	150709602-SP	Door, grey, PRO-series, neutral	Expired, included in kit, pos 205	-
54	155014300-SP	Shut-off valve, hose 3/8"	All models - Installation	1
55	155016601-SP	Adaptor, stem 3/8" to male G3/4"	All models - Installation	10
56	150705981-SP	Faucet for drinking water	See section "Accessories"	-
57	155007501-SP	By-pass kit	Accessory	1
58	150706800-SP	Holder for 3/8" hose	All models - Installation	5
59	150710085-SP	Hose PE 3/8" 2m (6.6 ft)	All models - Installation	1
59	150710091-SP	Hose PE 3/8" 10m (33ft)	All models - Installation	1
60	150726900-SP	Insert, 3/8" hose	All models - Installation	10
61	155022200-SP	Adaptor female G1/2" to male G3/4" with gasket	Expired	-
62	155010001-SP	Hose, inlet, PEX, 12x2	All models - Installation	5
63	155010101-SP	Gasket, for nut inlet hose, 3/4"	Expired, included in kit, pos 202	-
64	150790300-SP	Holder drain hose	All models - Installation	10
65	150736600-SP	Drain hose, PRO-series	All models - Installation	10
66	150736500-SP	Quick connector tap 7/16" to hose 3/8"	Accessory	5
67	150704500-SP	Filter wrench	All models - Installation	10
68	150728900-SP	LED display, water quality, faucet attachment	Accessory	1
69	150729600-SP	Plastic washer, LED display, wire lead-through	Accessory - Expired	-
70	150733500-SP	Holder, pure water rinse valve, PRO-series, CV-versions	Expired, included in kit, pos 201	-
71	150733400-SP	Quick connector, male G1/4" to hose 3/8"	CV/BCV-models	5
72	155006701-SP	Valve, for rinse function, 120V, PRO-series, CV/BCV-versions	CV/BCV-models	1
73	150734700-SP	Protective cover, timer head, PRO-series	Expired, included in kit, pos 201	-
74	150735300-SP	Timerhead, PRO-series, 100-240V, CV/BCV-versions	CV/BCV-models	1
75	150734500-SP	Holder, of hose for air gap	Expired, included in kit, pos 201	-
200	155030900-SP	Driving system kit, Pro-series, from 2015 serial no xxx, for US only (motor shaft with slot)	All models	1
201	155027300-SP	Rinse function kit, 120V, CV-versions	CV/BCV-models	1
202	155026900-SP	O-ring and gasket kit, Pro (SET 1)	All models - Kit	1
203	155027000-SP	Quick connector kit, Pro (SET 1)	All models - Kit	1
204	155027100-SP	Fixtures, Pro (SET 1)	All models - Kit	1
205	155054400-SP	Plastic enclosures, kit unbranded	All models, unbranded	1
205	155054500-SP	Plastic enclosures, kit Bluewater branded	All models, Bluewater branded	1

ACCESSORIES

Pos	Consumable no.	Description	Reference	Units in box (pcs)
56	150705981-SP	Faucet for drinking water	Expired	5
56	919240945	Bluewater Single-Flow faucet	All models	1
56	919240954	Bluewater Single-Flow faucet	All models	5
56	919240946	Bluewater Single-Flow faucet with LED	All models	1
56	919240955	Bluewater Single-Flow faucet with LED	All models	5
56	919240947	Bluewater Tri-Flow faucet	All models	1
56	919240956	Bluewater Tri-Flow faucet	All models	5
57	155007501-SP	By-pass kit	All models	1
66	150736500-SP	Quick connector tap 7/16" to hose 3/8"	Suitable to tap with 7/16" thread	5
68	150728900-SP	LED display, water quality, faucet attachment	All models	1
69	150729600-SP	Plastic washer, LED display, wire lead-through	Expired	-

CONSUMABLES

Pos	Consumable no.	Description	Reference	Units in box (pcs)
40	919240002	Sediment filter, PRO400 series, single pack	All models	1
40	919240012	Sediment filter, PRO400 series, pack of 20	All models	20
40	919240022	Sediment filter, PRO400 series, pack of 64	All models	64
41	919240003	Carbon filter, granulated, PRO400 series, single pack	All models	1
41	919240013	Carbon filter, granulated, PRO400 series, pack of 20	All models	20
41	919240023	Carbon filter, granulated, PRO400 series, pack of 64	All models	64
-	150721701-SP	Grease, for o-rings, 10 grams	All models	1
-	150711600-SP	Sealing Tape, roll, 33 m x 50 mm	All models	5
-	150720602-SP	Preservative anti-freeze, 1 litre bottle	All models	1
-	150720701-SP	Descaling agent, 200 grams	All models	1
-	150720720-SP	Descaling agent, 200 grams, 20 packages	All models	30

KITS

Pos 202	155026900-SP	O-ring and gasket kit, Pro series	Kit (pcs)
-	150707002	O-ring, 6.1x1.6 (2 pcs on plug in plastic gable pump)	10
-	150707005	O-ring, 14.1x1.6 (2 pcs on stem on plastic gable pump)	10
3	150707010-SP	O-ring, 19.2x3.0	20
5	150707012-SP	O-ring, 169.3x5.7	5
7	150707009-SP	O-ring, 11.3x2.4	20
63	155010101-SP	Gasket, for nut inlet hose 3/4"	10

Pos 203	155054700-SP	Quick connector kit, Pro series	Kit (pcs)
12B	150721400-SP	Quick connector, straight, 1/4"	2
23	150704300-SP	Quick connector, equal elbow, 3/8"	2
24	150705600-SP	Adaptor, stem 3/8" to male G3/8"	2
28	150717800-SP	Quick connector, equal tee, 3/8"	5

Pos 204	155027100-SP	Fixtures, Pro series	Kit (pcs)
2	150704001-SP	Spring, support membrane, PRO series	2
8	150704800-SP	Bracket for valve, PRO series	5
10	150701000-SP	Locking ring, PRO series	6
15	150723700-SP	Insulation ring, pump head, PRO series	5
17	150701901-SP	Retaining ring, pump, PRO series	10
26	150714400-SP	Locking piece, PRO series	6
32	150712200-SP	Snap-in, holder PCB	10
37	150722700-SP	Retaining spring, filter lid, PRO series	10

ORDER

It is important to assure that you have the correct product number and have identified the correct spare part in the list above. More information can be found in our service video on www.bluewatergroup.com or on www.youtube.com/BluewaterPure

Place your order on orders@bluewatergroup.com. Should you have additional questions, you're always welcome to contact us by phone.

DISCLAIMER

Bluewater water purification products should ideally be installed and maintained by qualified service professionals. Installing or maintaining Bluewater products without appropriate training may lead to serious property damage, personal injury, or death. We would therefore discourage independent installation or repairs. However, if you intend to perform repairs yourself, please always use original spare parts. The information and instructions provided by Bluewater are intended for use by Bluewater authorized service technicians and other qualified professionals.

	Bluewater global website www.bluewatergroup.com		Bluewater China website
---	--	--	-------------------------

Bluewater is a world leading water purification company. Headquartered in Stockholm, Sweden, the company helps people and businesses globally enjoy the health and wellbeing benefits of cleaner, healthier tap water. Bluewater innovates, makes and sells compact water purifiers that harness the company's patented reverse osmosis technology to remove virtually all pollutants from tap water, including lead, bacteria, pesticides, medical residues, chlorine and lime-scale.

Please visit us at bluewatergroup.com



BLUEWATER

Engelsbrektsgatan 14
SE-114 32 Stockholm
Sweden
E: info@bluewatergroup.com

bluewatergroup.com

