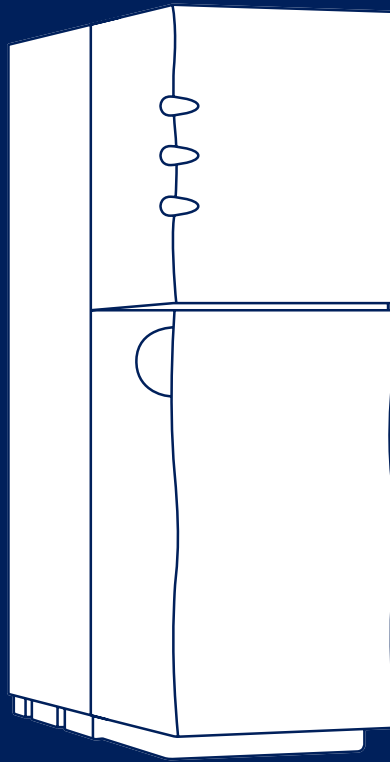


SPARE PARTS AND  
CONSUMABLES CATALOG

SECOND QUARTER 2015



BLUEWATER SPIRIT

WATER PURIFIER





**Bluewater**

ON

FILTER

SERVICE

SPIRIT 300  
SuperiorOsmosis™  
MADE IN SWEDEN

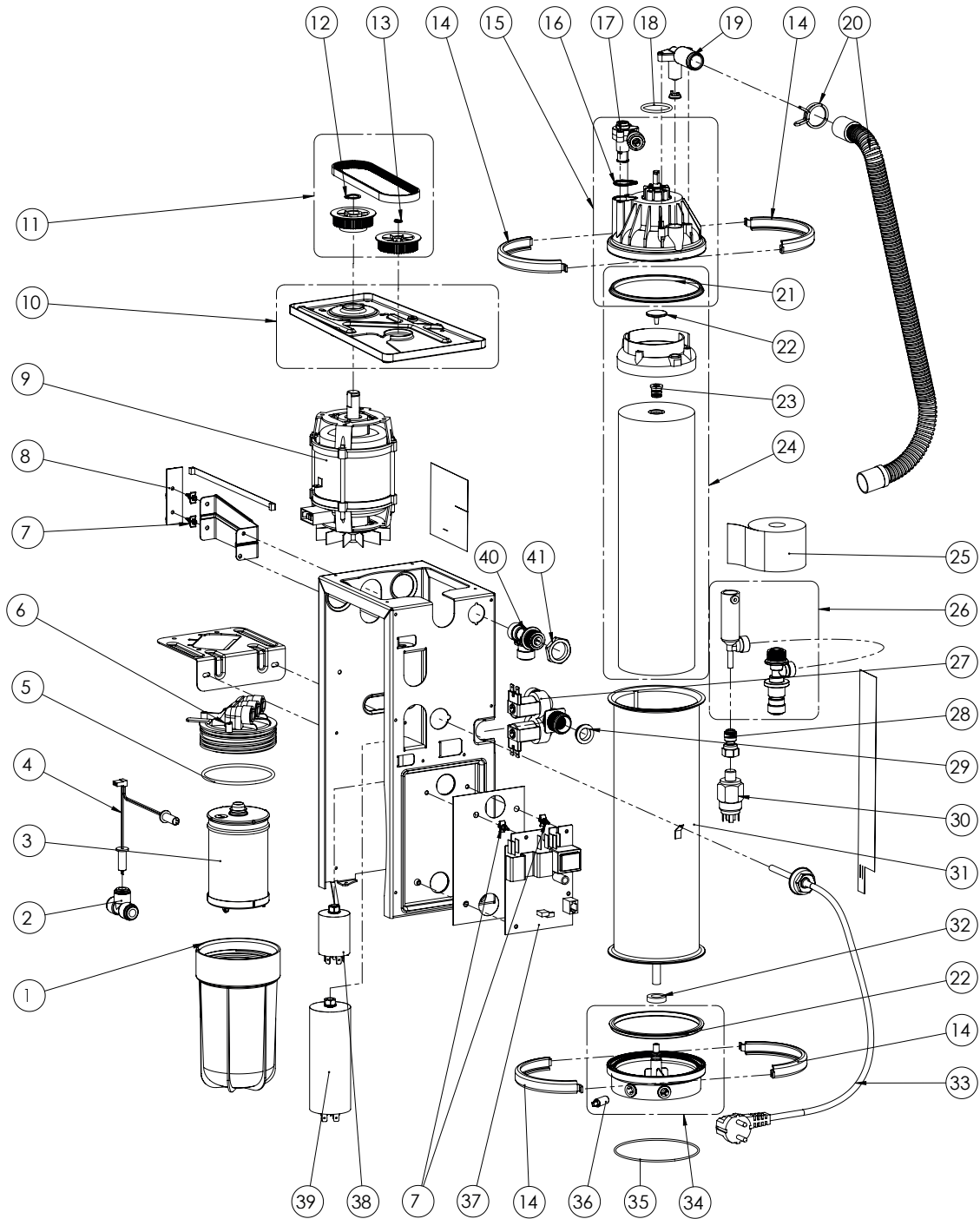
# SPARE PARTS, CONSUMABLES & ACCESSORIES

The Bluewater Spirit water purifier is designed to turn your tap water into healthier drinking water. Innovated with love in Sweden, Bluewater's SuperiorOsmosis™ technology improves quality of life, health and wellbeing by removing practically all contamination, including microorganisms, pesticides, heavy metals and toxins. Regular maintenance, genuine spare parts and consumables assure the performance and lifespan of your product. To eliminate mistakes, when ordering Spare Parts, always start by identifying your Model Name and Product Number and use them to determine the correct Spare Part Number. Please note that this catalogue is updated regularly, which means the Part Number will also change regularly. You can always find the latest edition of this document at [www.bluewatergroup.com](http://www.bluewatergroup.com)

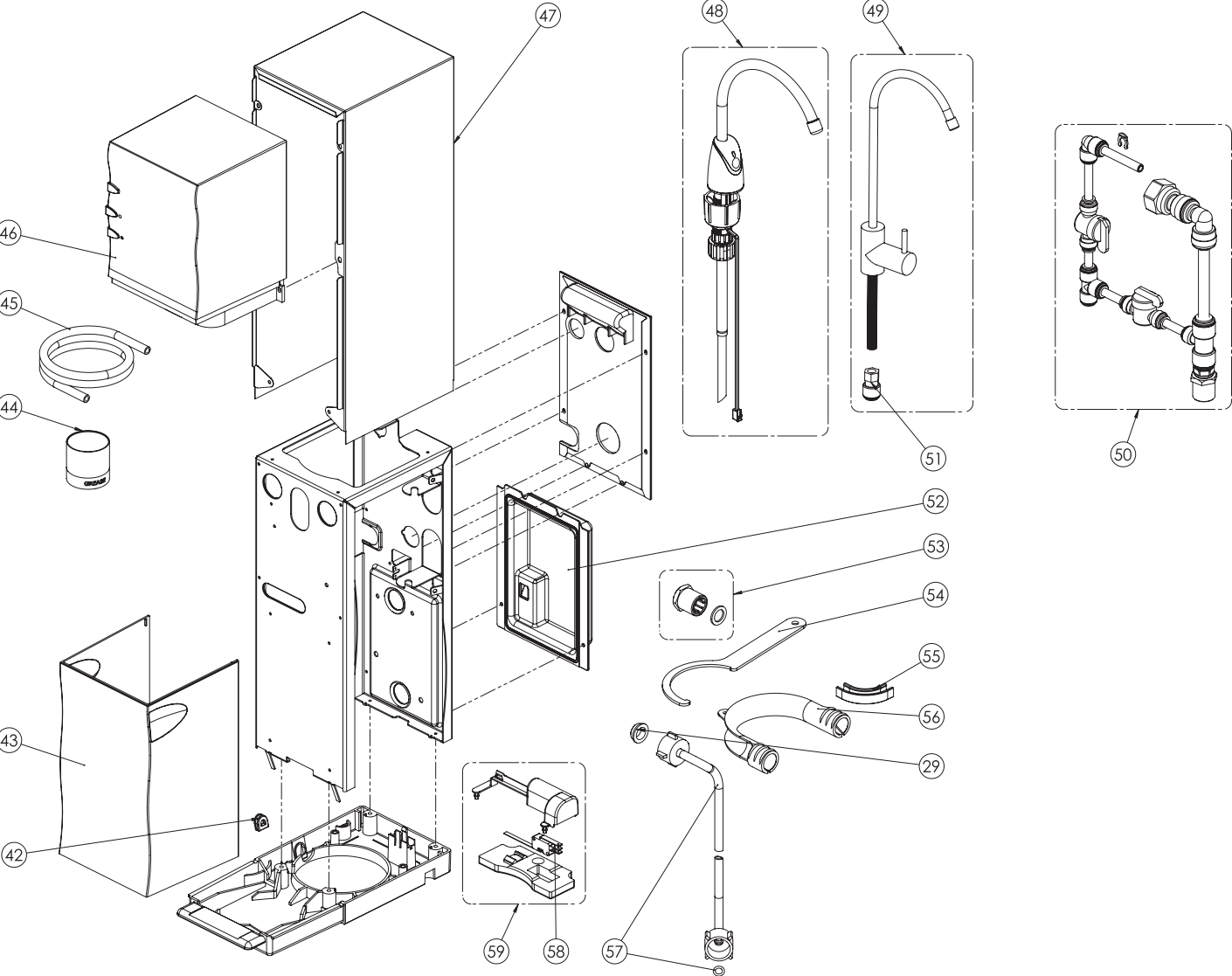
## Models

Model Name	Product No.	Reference
RO300 EU	919240201	A
RO300C-HF EU (expired)	919240205	B
RO300C-HF EU Dometic (expired)	919240206	B
RO300Cp-HR EU	919240230	C
RO300Cp-HR EU Dometic (expired)	919240231	C
RO300Cp-HR UK (expired)	919240232	D
RO300Cp-HF EU (expired)	919240234	E
RO300 CN Dometic (expired)	919240235	F
RO300Cp-HR CN Dometic (expired)	919240236	G
Bluewater Spirit 300Cp-HR China (white)	919240240	G
Bluewater Spirit 300Cp-HR China	919240241	G
Bluewater Spirit 300-HF EU	919240260	A
Bluewater Spirit 300Cp-HR EU	919240261	C

# Components



# Components



# Component Description

Pos	Spare Part No.	Position Description	Reference	Units in box
1	150740700-SP	Filter container, Spirit-series	All Models	1
2	150717800-SP	Quick connector, equal tee, 3/8"	All Models	5
3	919240004	Carbon filter, granulated, Spirit-series, single pack	All Models - Consumables	1
3	919240014	Carbon filter, granulated, Spirit-series, pack of 20	All Models - Consumables	20
3	919240024	Carbon filter, granulated, Spirit-series, pack of 64	All Models - Consumables	64
4	150796601-SP	Conductivity sensor, Spirit-series	All Models	1
5	150707003-SP	O-ring, 82.14x3.35	All Models	10
6	150740900-SP	Lid, prefilter, Spirit-series	All Models	10
7	150712200-SP	Snap-in, holder PCB	All Models	10
8	150765480-SP	LED board, front, Spirit-series	All Models	1
9	150745003-SP	Motor 230V/350W, Spirit-series	All Models	1
10	155022600-SP	Holder motor plate complete, Spirit-series	All Models	1
11	155022700-SP	Driving system kit, Spirit-series	All Models	1
12	150701903-SP	Retaining ring, motor, Spirit-series	All Models	20
13	150701902-SP	Retaining ring, pump, Spirit-series	All Models	20
14	150744700-SP	Locking ring, Spirit-series	300 Models	5
15	150739580-SP	Pump service kit, Spirit-series	All Models	1
15	150759780-SP	Pump, service kit RO300-series (older design, up to 2002 serial number 2223038)	Old Models Only	1
16	150744001-SP	Gasket, pressure regulating valve, Spirit-series	All Models	10
17	150765380-SP	Pressure regulating valve, Spirit-series	All Models	10
18	150707015-SP	O-ring 32.3x3	All Models	5
19	150759480-SP	Valve, drain, Spirit-series	All Models	5
20	150758100-SP	Drain hose, Spirit-series	All - Installation	5
21	150744600-SP	Gasket, pressure vessel, Spirit-series	All Models	10
22	150742800-SP	Sealing, pump side lower, Spirit-series	All Models	5
23	150759880-SP	Plug, membrane center tube, with o-rings, Spirit-series	All Models	10
24	150759380-SP	Membrane service kit Spirit-series, High Flow (HF)	A, B, E and F	1
24	155007301-SP	Membrane service kit Spirit-series, High Rejection (HR)	C, D and G	1
25	150711600-SP	Tape, membrane, 33m x 50mm	All - Consumables	5
26	150715880-SP	Check valve and accumulator, kit	C, D, E and G	10
27	150740180-SP	Valve, inlet, Spirit-series, 230V	All Models	1
28	155009000-SP	Quick connector, Female 1/4" to hose 1/4"	C, D, E and G	5
29	155010101-SP	Gasket, for nut inlet hose, 3/4"	All - Installation	20
30	155006300-SP	Pressure switch, Spirit-series	C, D, E and G	1
31	150744300-SP	Pressure vessel, Spirit-series	All Models	1
32	150745200-SP	Cushion, bottom membrane vessel	All Models	5

# Component Description

Pos	Spare Part No.	Position Description	Reference	Units in box
33	150757080-SP	Cord set complete, European plug, Spirit-series	A, B, C and E	1
33	293210009-SP	Power cord, UK plug	D	1
33	150757004-SP	Cord set complete, Chinese plug, Spirit-series	F and G	1
34	150739480-SP	Bottom part, pressure vessel, kit, Spirit-series	All Models	1
34	150759580-SP	Bottom part, pressure vessel, kit, RO300-series (older design, up to 2002 serial number 2223038)	For Old Models	1
35	150707014-SP	O-ring, 100x2	All Models	5
36	150753900-SP	Plug, plastic, 3/8"	All Models	5
37	155006403-SP	Circuit Board (PCBA), Spirit 300 (electronic faucet, auto shut-off 15 minutes), 230V	A and F	1
37	155006401-SP	Circuit Board (PCBA), RO300 (electronic faucet, auto shut-off 2h), 230V	B	1
37	155006402-SP	Circuit Board (PCBA), Spirit 300Cp (pressure operated), 230V	C, D, E and G	1
38	155021700-SP	Disturbance protection (RFI-filter)	All Models	1
39	150746400-SP	Capacitor, 10µF for 230V, Spirit-series	All Models	1
40	150756000-SP	Connection, pure water outlet, Spirit-series	All Models	10
41	150717100-SP	Nut, plastic, for pure water outlet	All Models	10
42	150754600-SP	Plug, rubber, baseplate, Spirit-series	All Models	5
43	150747400-SP	Door, white, neutral, Spirit-series	Observe color and print	1
43	150747405-SP	Door, grey, printed Spirit 300, Spirit-series	Observe color and print	1
44	150721701-SP	Grease, for o-rings, 10 grams	All - Consumables	1
45	150710091-SP	Hose PE 3/8" 10m (33ft)	All - Installation	1
45	150710085-SP	Hose PE 3/8" 2m (6.6 ft)	All - Installation	1
46	150754510-SP	Display panel complete, white, Spirit-series, Bluewater branded	Observe color and print	1
46	150754581-SP	Display panel complete, white, Spirit-series, neutral	Observe color and print	1
46	150754520-SP	Display panel complete, grey, Spirit-series, Bluewater branded	Observe color and print	1
47	150747100-SP	Cover, white, metal sheet, Spirit-series	All Models	1
48	150748001-SP	Faucet for drinking water, electronic, Spirit (not -Cp)	Accessory for A, B & F	5
49	50-909-0191-SP	Faucet for drinking water, for Spirit 300Cp	Accessory for C, D, E & G	5
50	155007501-SP	By-pass kit	All - Accessory	1
51	150736500-SP	Quick connector, tap 7/16" to hose 3/8"	Accessory for C, D, E & G	5
52	150746100-SP	Cover, electric, Spirit-series	All Models	1
53	155022200-SP	Adaptor, female G1/2" to male G3/4", with gasket	All - Installation	5
54	150704500-SP	Filter wrench	All - Accessory	10
55	150706800-SP	Holder for 3/8" hose	All - Installation	5
56	150790300-SP	Holder, drain hose	All - Installation	10

# Component Description

Pos	Spare Part No.	Position Description	Reference	Units in box
57	155010000-SP	Hose, inlet, PEX, 10x2	All - Installation	5
58	155004801-SP	Microswitch, leakage detection	All Models	1
59	155022800-SP	Leakage detection kit, Spirit-series	All Models	1
-	150720602	Preservative anti-freeze, 1 liter bottle	All - Consumables	1
-	150720701	Descaling agent, 200 grams	All - Consumables	1
-	150720720	Descaling agent, 200 grams, 20 packages	All - Consumables	20

# Consumables

Consumable No.	Position	Description	Units in box
919240004	3	Carbon filter, granulated, Spirit-Series, single pack	1
919240014	3	Carbon filter, granulated, Spirit-Series, pack of 20	20
919240024	3	Carbon filter, granulated, Spirit-Series, pack of 64	64
150721701-SP	44	Grease, for o-rings, 10 grams	1
150711600-SP	25	Tape, membrane , 33m x 50mm	5
150720602	-	Preservative anti-freeze, 1 liter bottle	1
150720701	-	Descaling agent, 200 grams	1
150720720	-	Descaling agent, 200 grams, 20 packages	20



# ORDER

It is important to take great care to assure that you have the right Product Number and identified the correct Spare Part in the list above. More information can also be found in our service video that can be found on [www.bluewatergroup.com](http://www.bluewatergroup.com) or on [www.youtube.com/BluewaterPure](http://www.youtube.com/BluewaterPure)

Place your order on [orders@bluewatergroup.com](mailto:orders@bluewatergroup.com). Should you have additional questions, you're always welcome to contact us on the phone.

# DISCLAIMER

Bluewater water purification products should ideally be installed and maintained by qualified service professionals. Installing or maintaining Bluewater products without appropriate training may lead to serious property damage, personal injury, or death. We would therefore discourage independent installation or repairs. However if you intend to perform repairs yourself, please always use original spare parts. The information and instructions provided by Bluewater are intended for the use of Bluewater authorized service technicians and other qualified professionals.



Scan the QR code to visit the Bluewater Group website for more information about our products and how to order.



Scan the QR code to view the Instructional videos on the Bluewater YouTube channel.



Scan the QR code to view the Instructional videos on the Bluewater YouKu channel.

Bluewater is a world leading water purification company. Headquartered in Stockholm, Sweden, the company helps people and businesses in Europe, the USA, China and elsewhere in Asia enjoy the health and wellbeing benefits of cleaner, healthier tap water. Bluewater innovates, makes and sells compact water purifiers that harness the company's patented reverse osmosis technology to remove virtually all pollutants from tap water, including lead, bacteria, pesticides, medical residues, chlorine and lime-scale.

Please visit us at [www.bluewatergroup.com](http://www.bluewatergroup.com)



## BLUEWATER

Danderydsgatan 11  
SE-114 26 Stockholm  
Sweden  
E: [info@bluewatergroup.com](mailto:info@bluewatergroup.com)

[www.bluewatergroup.com](http://www.bluewatergroup.com)

