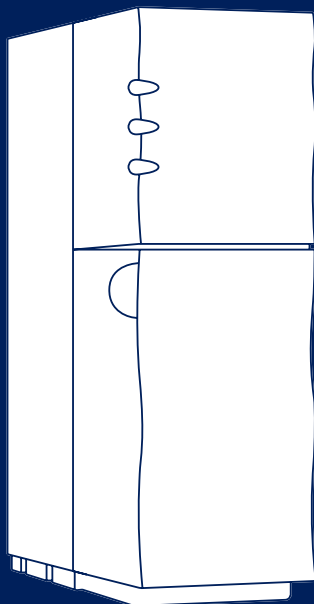


Applies only to products with serial number 1804-61001 and earlier

## OWNER'S MANUAL



# BLUEWATER SPIRIT

## WATER PURIFIER



EN

FR

ES

PT

IT

DE

PL

RU

SE

FI

NO

DK

ZH

ID





KO

# Contents

OWNER'S MANUAL - EN .....	03
MANUEL DU PROPRIÉTAIRE - FR .....	12
MANUAL DE USO - ES .....	21
MANUAL DO PROPRIETÁRIO - PT .....	30
MANUALE DEL PROPRIETARIO - IT .....	39
BEDIENUNGSANLEITUNG - DE .....	48
INSTRUKCJA OBSŁUGI - PL .....	57
РУКОВОДСТВО ВЛАДЕЛЬЦА - RU .....	66
HANDBOK - SE .....	75
OMISTAJAN KÄSIKIRJA - FI .....	84
BRUKERHÅNDBOK - NO .....	93
BETJENINGSVEJLEDNING - DA .....	102
用户手册 - ZH .....	111
PANDUAN PEMILIK - ID .....	120
사용자 설명서 - KO .....	129

## About this manual


This manual gives you the necessary instructions to operate and do minor troubleshooting on the device. For more information scan the QR codes.

	Bluewater Youtube channel Installation and maintenance videos		Bluewater Youku channel (China) Installation and maintenance videos
	<a href="http://www.bluewatergroup.com">www.bluewatergroup.com</a> Complete User manual		Bluewater China Complete User manual

## Original language

The original language of this instruction is English, all other languages are translations of the original instruction.

## Regulatory information



Description	
	The CE marking and the related EC Declaration of Conformity is valid for the device when it is used in the same condition as it was delivered from the manufacturer.

## Limited warranty

Refer to [www.bluewatergroup.com](http://www.bluewatergroup.com) for more information on Limited warranty.

## Symbols

The following symbols can be found on the water purifier:

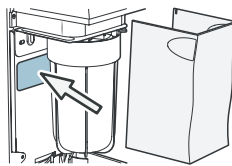
Symbol	Description	Symbol	Description
	The WQA Gold Seal is proof that the water purifier has been independently tested and is certified against NSF/ANSI 58 and CSA Standard B483.1. It has also been tested and certified against NSF/ANSI 372.		The ETL Listed Mark is proof that the device has been independently tested and meets the applicable published standard.

SAFETY .....	04
Safety instructions .....	04
Safety information.....	04
PRODUCT OVERVIEW.....	05
Spirit outside .....	05
Spirit inside and replacement components .....	06
Technical information .....	06
Product performance.....	07
SYSTEM OVERVIEW .....	08
System description.....	08
Installation .....	08
Leak protection system .....	08
Intended use.....	09
Water production.....	09
MAINTENANCE .....	10
Daily maintenance .....	10
Regular maintenance.....	10
TROUBLESHOOTING.....	11
How to solve simple problems .....	11

## Customer service

See "Troubleshooting" to solve minor problems before calling service. If you need external service support, it can cost money. Make sure to have the following data (found on the data plate located behind the filter) available when calling Bluewater:

- Model
- Product number
- Serial number



## Environment information



80% of the the water purifier components and its packaging have a label to help you recycle and discard it correctly. The water purifier is more efficient when it cleans water for longer periods. Example: do not fill a glass with water. Fill a jug instead.



Appliances bearing this symbol must be deposited at the designated local reception point for the disposal of electrical and electronic equipment.  
This product may not be disposed by using the normal household refuse collection processes.

# SAFETY

## Safety instructions

Before you install or operate the device, you must read the safety information. Obey the instructions in this manual to prevent injuries or damage to the equipment. This manual contains CAUTIONS and NOTICES that are applicable for the safe operation of the device.



A CAUTION identifies conditions that can cause injury, or damage to the equipment. Obey the instructions and do not continue until all conditions are accepted and engaged.



A Note identifies important information for a trouble free and optimal use of the water purifier.

## Safety information



Do not drink the water when the service light shows that it is not clean. Store water in vessels that are resistant to corrosion.



This appliance can be used by children who are more than 8 years old. It can also be used by persons with reduced physical, sensory or mental capabilities or lack of experience and knowledge, if they have been given supervision or instruction about the use of the appliance in a safe way and understand the hazards involved.



Do not repair or modify parts of the water purifier. This can make it operate incorrectly, and lead to injury and damage not covered by warranty.



Spirit is a reverse osmosis system. It contains a replaceable membrane that is very important for effective reduction of total dissolved solids (TDS). Replace this membrane regularly. Test the cleaned water periodically, at least one time every year, to make sure that Spirit performs correctly.



Only approved Bluewater staff can do servicing and repairs on the water purifier. Only use original replacement cartridges and parts from Bluewater. For the spare parts catalogue and contact information for purchases, see [www.bluewatergroup.com](http://www.bluewatergroup.com).



The water to be cleaned must obey the requirements in “Technical information”. Test the water at least one time every year. If the water is not clean, tastes, or smells bad, do not drink it.



Installation must comply with applicable local plumbing codes and regulations.



Connect the water purifier to an earthed electrical supply. Use a socket that is easy to access after installation. Only an approved electrician must do permanent wiring on the system. A safety switch must be installed on the system. Incorrect installation can lead to damage, or make the water purifier dangerous to use.



Do not use the power cord if there are visible signs of damage on it. If the power cord is damaged, a qualified electrician must replace it in order to prevent danger.



If the water purifier is disconnected from water and electricity for >5 days, store it as described in Complete User manual “Storage”.

# PRODUCT OVERVIEW

Model	Spirit 300	Electronically controlled	Bluewater faucet
	Spirit 300Cp	Pressure controlled, compatible with household appliances	Faucet adapted to reverse osmosis

## Spirit outside

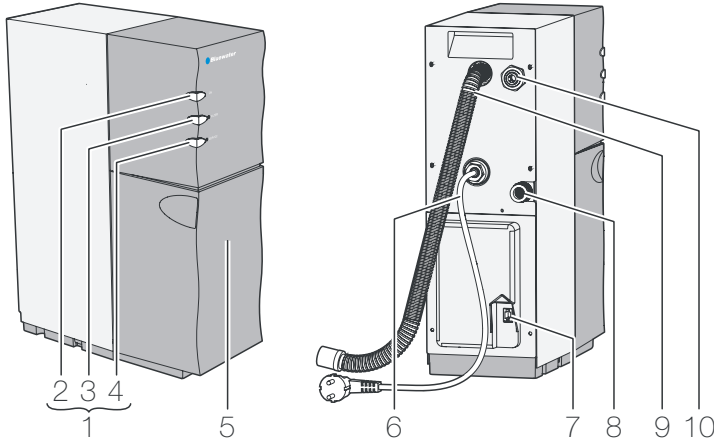


Figure 1. Spirit outside

Pos	Description	Pos	Description
1	Control panel	6	Power cord
2	On light	7	Electrical connection for faucet (Spirit 300)
3	Filter light	8	Feed water connection with grid filter
4	Service light	9	Drain water hose
5	Front cover	10	Clean water connection

## Control panel

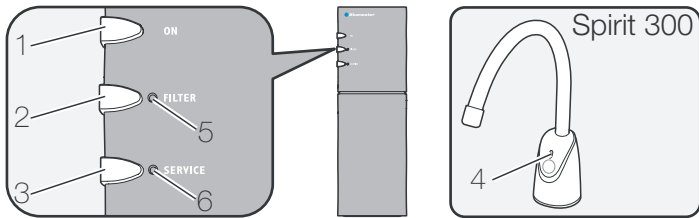


Figure 2. Control panel

Pos	Light	Description	Pos	Description
1	ON	The water purifier is connected and operates correctly.	5	FILTER button
2	FILTER light	Flashes On The water purifier operates. The filter must be replaced. The water purifier has stopped. The filter must be replaced.	6	SERVICE button
3	SERVICE light	Flashes On Decreased water quality. The water purifier has stopped, the water quality has decreased.		
4	Faucet lights Spirit 300 Spirit 300Cp N/A	Green Yellow Yellow Shows good water quality (this can take up to 120 seconds). Flashes: Something is wrong. Look at the control panel. On: The water purifier has stopped, the water quality has decreased.		

# Spirit inside and replacement components

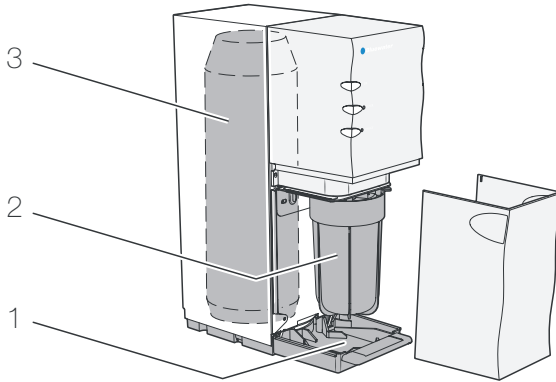


Figure 3. Spirit inside

Pos	Description	Art. no	Pos	Description	Art. no
1	Base plate		3	Reverse osmosis membrane	
				Membrane service kit, type HR (High Rejection)	155007301-SP
				Membrane service kit, type HF (High Flow)	150759380-SP
2	Prefilter, Carbon filter, granulated	919240004			

## Technical information



For more detailed technical information see [www.bluewatergroup.com](http://www.bluewatergroup.com)

Parameter/Model	Spirit 300	Spirit 300Cp
Size WxDxH [mm (")]	150x365x462 (5.9x14.3x18.2)	150x365x462 (5.9x14.3x18.2)
Weight [kg (lbs)]	15 (33)	15 (33)
Power supply, earthed supply Power supply, earthed supply US	230V 50-60 Hz, 10A 120V 60Hz, 10A	230V 50-60 Hz, 10A 120V 60Hz, 10A
Power (US)	350W (3Amps)	350W (3Amps)
Purified water flow rate	893 gal/day	666 gal/day
Sound level (installed in undersink cupboard)	< 60 dB(A)	< 60 dB(A)
Faucet with water quality indicator light	✓	N/A
Compatible with household appliances	N/A	✓



Do not use with water that is microbiologically unsafe or of unknown quality without adequate disinfection before or after the system.



Only connect to the cold water supply. The temperature limits are in the table "Requirements on feed water to water purifier" on page 07.

## Requirements on feed water to water purifier

Description	Spirit 300	Spirit 300Cp
Pressure [flowing bar (psi)]	1.5-10 (22-145)	1.5-10 (22-145)
Water flow [l/min (gal/min)]	> 6 (1.6)	> 6 (1.6)
TDS (Total dissolved solids) [mg/l (ppm)]	< 1200	< 1200
Conductivity [ $\mu$ S/cm, 25 °C (77 °F)]	< 1600	< 1600
Temperature [°C (°F)]	2-35 (36-95)	2-35 (36-95)
Hardness [°dH (grains/gallon)]	< 10 (< 10.4)	<10 (<10.4)
Iron Fe <sup>II</sup> /Fe <sup>III</sup> [mg/l (ppm)]	< 0.5/< 0.3	< 0.5/< 0.3
Turbidity [FNU]	< 0.5	< 0.5

EN

## Product performance



The WQA Gold Seal proves that the Bluewater water purifier has been independently tested and certified against NSF/ANSI 58 and CSA Standard B483.1. WQA certifies product performance, and reviews the manufacturing facility and procedures to assure product consistency and integrity.

The Bluewater Spirit water purifier has been tested according to NSF/ANSI 58 for reduction of TDS (total dissolved solids).

The concentration of TDS in water entering the system was reduced to a concentration less than or equal to the permissible limit for the water leaving the system, as specified in NSF/ANSI 58.

See performance data sheet on [www.bluewatergroup.com](http://www.bluewatergroup.com) for more details.

# SYSTEM OVERVIEW

## System description

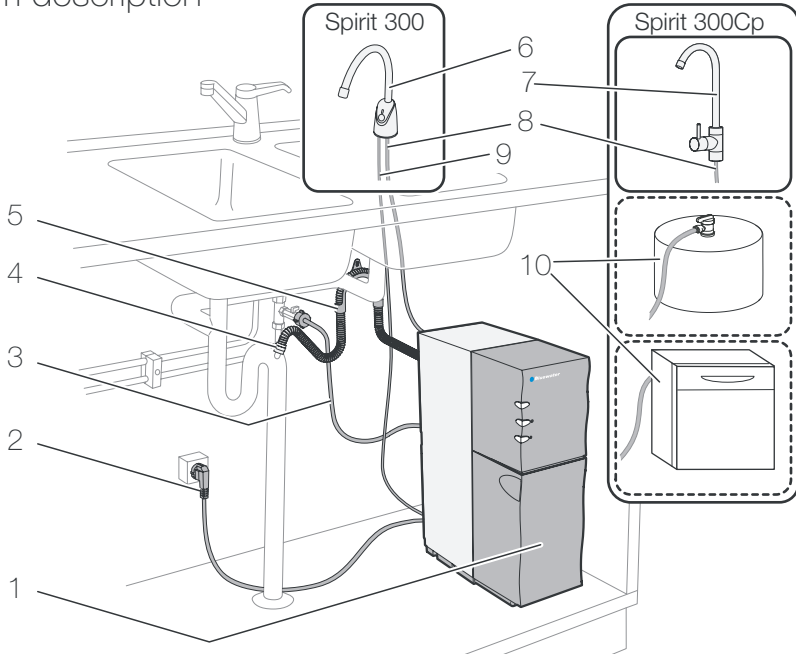


Figure 4. System overview, an example of a Spirit installation

Pos	Description	Pos	Description
1	Water purifier	6	Bluewater faucet
2	Power cord	7	Faucet adapted to reverse osmosis
3	Feed water hose	8	Clean water hose
4	Drain water hose, installed with an air gap	9	Faucet electrical connection (Spirit 300)
5	Bracket for drain water hose	10	Pressure tank, household appliance, e.g. dishwasher.

## Installation



Installation must comply with applicable local plumbing codes and regulations.



Only connect the water purifier to the cold water supply. The water must be of sufficient quality and fulfill the requirements on feed water.



We recommend that the water purifier is installed by a professional, who is recommended by an authorised Bluewater dealer. Installation instructions can be found in the Complete User manual and on [www.bluewatergroup.com](http://www.bluewatergroup.com).

## Leak protection system

A sensor at the bottom of the water purifier senses water leaks. If there is a leak, the feed water supply is stopped. The water purifier cannot be started again until the leak has been repaired.



# Intended use

The water purifier is intended to produce purified water. Do not use it for any other purpose. Any use beside indoor home environment and for purposes other than purifying water for household use is considered as unintended use and will automatically void your warranty.

The electronically controlled Spirit 300 is intended to produce the quantity of water that is normally required for cooking and drinking in a household. The pressure controlled Spirit 300Cp can be connected to other devices such as dishwashers.

# Water production

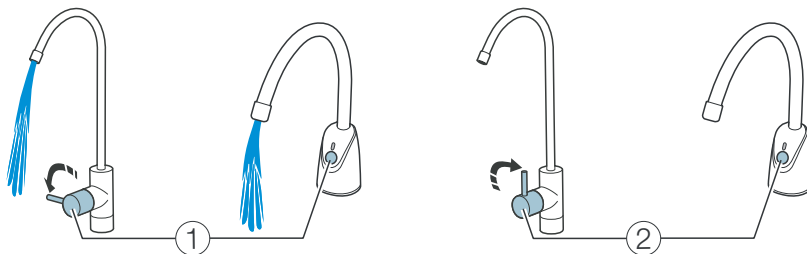


Figure 5. Water production on/off

# Automatic flush

An automatic flush will be performed if one of the conditions below are fulfilled:

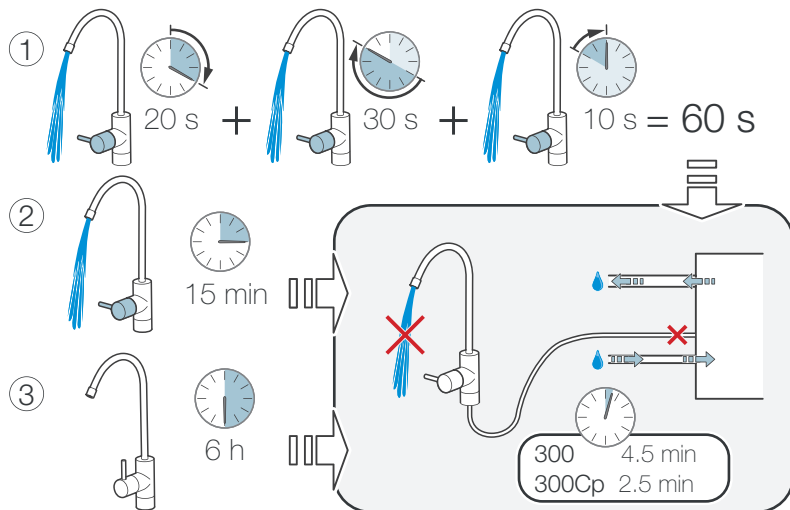


Figure 6. Automatic flushing

Pos	Description
1	Flush after drawing water. Production cycles shorter than 60 seconds are added together, and flush takes place when total drawing time exceeds 60 seconds.
2	Flush after maximum operation time 15 minutes. Next production cycle can be started immediately after completed flush..
3	Water purifier in standby mode. Spirit is connected to water and power and It is more than 6 hours since the last flush.

# MAINTENANCE

## Daily maintenance

### Check indicator lights

Step	Action
1	Make sure that the filter light or the service light are not on or flashes.
2	Make sure that the yellow faucet light is not on or flashes. (Spirit 300).

### Clean the water purifier



Do not use chemicals to clean the surface. Alcohol, petrol, organic and inorganic acids, strong basic chemicals (such as concentrated dish washing detergent) will cause damage to the surface.



Do not use hard or sharp tools to clean the water purifier.

Step	Action
1	Clean the outer surface with a soft moist cloth and a weak soap solution to remove dust, stains and dirt.
2	Dry with a soft dry cloth.

## Regular maintenance



Regular maintenance is important for correct function and long term operation. Only educated and approved personnel can do the maintenance.



For instructions on how to do maintenance, see Complete User manual on [www.bluewatergroup.com](http://www.bluewatergroup.com)

Frequency	Description
1 month	Check connections
	Wipe off condensation from the base plate
4-6 months	Replace filters. Replace the filters after what comes first of 4-6 months or 18 925 l (5000 gal) of purified water.
6 months*	Descale
1 year	Test the water at least one time every year. If the water is not clean, do not drink it. Contact a Bluewater dealer.
3-5 years*	Replace reverse osmosis membrane

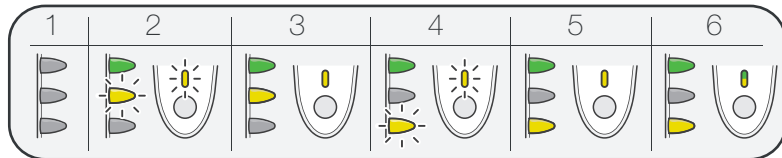
\*Frequency depending on water quality and usage

# TROUBLESHOOTING

## How to solve simple problems



For more severe problems, see Complete User manual on [www.bluewatergroup.com](http://www.bluewatergroup.com)



Symptom	Cause	Solution	
1 The ON light is not on.	The water purifier is not connected to power.	Connect the water purifier to power.	
	Spirit 300: The faucet cable is not connected.	Spirit 300: Make sure that the faucet cable and connector are connected.	
2 The FILTER light flashes, and the yellow light on the faucet flashes.	The filter must be replaced.	See Complete User manual.	
3 The FILTER light is on, and the yellow light on the faucet is on.	The water purifier has stopped. The filter must be replaced.	See Complete User manual.	
4 The SERVICE light flashes, and the yellow light on the faucet flashes.	The water quality has decreased, but is safe to drink. The water purifier will stop soon, see 5.	Contact Bluewater to replace the membrane.	
5 The SERVICE light is on, and the yellow light on the faucet is on.	The water purifier has stopped. A filter replacement has caused air to come into the system.	Disconnect the water purifier from power. Reconnect it. Let the water purifier do the automatic flush.	
	The water purifier has stopped. The clean water quality has become too low.	Contact Bluewater to replace the membrane.	
6 The SERVICE light is on, and the yellow and the green lights, on the faucet are on.	The water quality meter does not function.	Contact your Bluewater dealer.	
	The water purifier makes noise because the water pressure is not sufficient.	The inlet pressure is lower than 1.5 bar during operation.	Contact your Bluewater dealer.
		The grid filter is blocked.	See Complete User manual
The water purifier does not start.	The filter is blocked.	See Complete User manual	
	The water purifier flushes water.	Wait for 5 minutes.	
Spirit 300: The faucet light is not on.	The overflow protection system is activated.	Disconnect the water purifier from power, and clean the base plate. If the overflow protection is activated again, contact your Bluewater dealer.	
	There is a problem with the electronic faucet.	Contact your Bluewater dealer	
The flow rate from the clean water faucet is low.	The faucet cable is not connected.	Make sure that the faucet cable and connector are connected.	
	The water purifier needs to be descaled.	See Complete User manual.	
Water does not flow from the clean water faucet.	The clean water hose is tensioned or jammed.	Make sure that the clean water hose can move freely.	
	The feed water shut-off valve is closed.	Open the feed water shut-off valve.	
The water smells bad.	Microbial growth in the water because the water purifier has not been used for a week or longer.	See Complete User manual	

# Table des matières

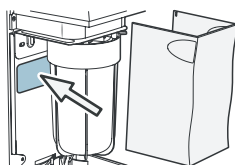
SÉCURITÉ.....	13
Consignes de sécurité.....	13
Instructions de sécurité.....	13
PRÉSENTATION GÉNÉRALE DE L'ÉQUIPEMENT.....	14
Extérieur du dispositif Spirit.....	14
Intérieur du dispositif Spirit et composants de remplacement.....	15
Caractéristiques techniques.....	15
Performances du produit.....	16
PRÉSENTATION GÉNÉRALE DU SYSTÈME.....	17
Description.....	17
Installation.....	17
Système anti-fuites.....	17
Utilisation prévue.....	18
Production d'eau.....	18
ENTRETIEN.....	19
Entretien quotidien.....	19
Entretien régulier.....	19
DÉPANNAGE.....	20
Résolution de problèmes simples.....	20

## Service d'assistance technique

Pour tenter de résoudre un problème avant de contacter le service d'assistance, consulter la section "Dépannage". Si l'aide de techniciens externes est nécessaire, celle-ci peut être payante.

Lors de tout contact avec Bluewater, se munir des informations suivantes (celles-ci figurent sur la plaque signalétique située derrière le filtre) :

- le modèle
- la référence produit
- le numéro de série



## Données environnementales



80 % des composants de cet osmoseur, de même que son emballage, sont dotés d'une étiquette précisant leur mode de recyclage ou de mise au rebut. L'efficacité du dispositif est optimale lorsqu'il fonctionne sur de longues durées. Par exemple, il est préférable de remplir d'eau une carafe plutôt qu'un verre.



Les appareils portant ce symbole doivent être déposés au point de réception local pour la mise au rebut des équipements électriques et électroniques usagés.  
Ce produit ne doit pas être éliminé avec les déchets ménagers ordinaires.

# SÉCURITÉ

## Consignes de sécurité

Avant d'installer et d'utiliser le dispositif, prendre connaissance des consignes de sécurité. Ces consignes doivent être scrupuleusement suivies afin de prévenir des blessures physiques ou la détérioration de l'équipement. Ce manuel inclut des MISES EN GARDE et des REMARQUES destinées à garantir l'utilisation sécurisée du dispositif.

FR



Une MISE EN GARDE signale une situation susceptible d'entraîner des blessures physiques ou une dégradation matérielle. Suivre les instructions et cesser toute utilisation de l'équipement tant que la situation n'est pas redevenue normale.



Une REMARQUE fait état d'informations importantes pour une utilisation optimale et en toute tranquillité de l'osmoseur.

## Instructions de sécurité



Ne pas boire l'eau lorsque le voyant Service indique qu'elle n'est pas propre. La stocker dans des récipients résistant à la corrosion.



Cet appareil peut être utilisé par les enfants de plus de 8 ans. Il peut également être manipulé par des personnes aux capacités physiques, sensorielles ou mentales réduites ou par des personnes manquant d'expérience ou de connaissances, dans la mesure où elles sont sous surveillance, ont reçu les instructions d'utilisation de l'appareil adéquates et comprennent les risques associés.



Ne pas réparer ou altérer les composants de l'osmoseur. Il pourrait en résulter un dysfonctionnement du dispositif susceptible de provoquer des blessures ou des détériorations non couvertes par la garantie.



Spirit est un système d'osmose inverse. Il contient une membrane remplaçable très importante pour réduire efficacement les matières dissoutes totales. Remplacez-la régulièrement. Testez la qualité de l'eau purifiée périodiquement, au moins une fois par an pour, vérifier le fonctionnement correct du Spirit.



Seuls les techniciens Bluewater agréés sont habilités à entretenir et réparer cet osmoseur d'eau. Il est indispensable d'utiliser les cartouches et composants de rechange originaux de Bluewater. Pour consulter le catalogue des pièces détachées et les coordonnées pour les achats, rendez-vous sur le site [www.bluewatergroup.com](http://www.bluewatergroup.com).



L'eau à épurer doit répondre aux critères stipulés dans la section « Caractéristiques techniques ». Tester la qualité de l'eau au moins une fois par an. Si celle-ci n'est pas propre, a mauvais goût ou est malodorante, ne pas la boire.



L'installation doit respecter les normes et réglementations de plomberie locales applicables.



Brancher l'osmoseur sur une alimentation électrique mise à la terre. La prise doit être aisément accessible après l'installation. Seul un électricien agréé doit être autorisé à effectuer les raccordements permanents. Le système doit comporter un interrupteur de sécurité. Une installation incorrecte peut entraîner des dommages ou mettre en danger l'utilisateur de l'osmoseur.



Ne pas utiliser le câble d'alimentation s'il présente des signes visibles de dommages. En cas de dommage, le câble d'alimentation doit être remplacé par un électricien qualifié afin de prévenir tout danger.



Si l'osmoseur est débranché de l'alimentation en eau et électrique plus d'une semaine, le stocker conformément aux instructions de stockage du manuel « Complete User manual ».

# PRÉSENTATION GÉNÉRALE DE L'ÉQUIPEMENT

Modèle	Spirit 300	À commande électronique	Robinet Bluewater
	Spirit 300Cp	Commande par pression, compatible avec des appareils électroménagers	Robinet adapté à l'osmose inverse

## Extérieur du dispositif Spirit

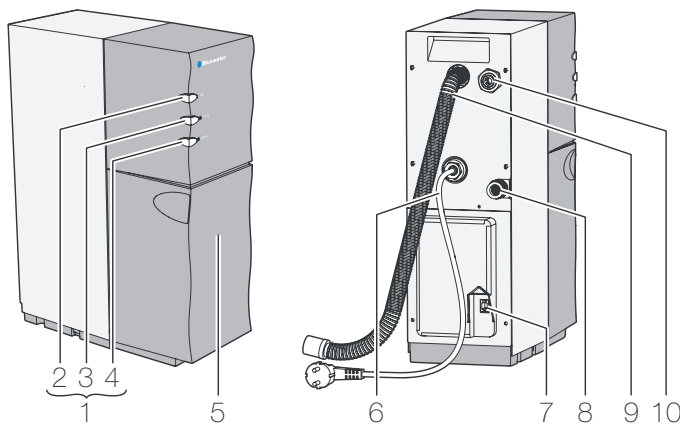


Figure 1. Extérieur du dispositif Spirit

N°	Description	N°	Description
1	Panneau de commande	6	Câble d'alimentation
2	Voyant On	7	Raccord électrique pour robinet (Spirit 300)
3	Voyant Filter	8	Raccordement pour eau d'alimentation avec filtre grillagé
4	Voyant Service	9	Flexible pour eaux usées
5	Capot avant	10	Raccordement pour eau propre

## Panneau de commande

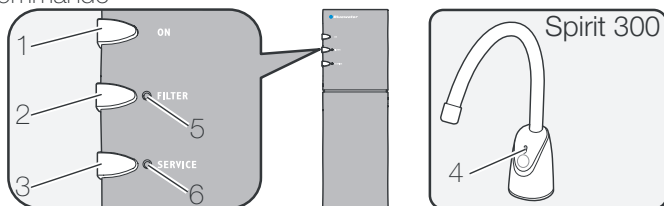


Figure 2. Panneau de commande

N°	Voyant	Description	N°	Description
1	ON	L'osmoseur est branché et opérationnel.	5	Bouton FILTER
2	Voyant Filter	Clignotant Allumé (fixe) L'osmoseur est en cours de fonctionnement. Le filtre doit être remplacé. L'osmoseur s'est arrêté. Le filtre doit être remplacé.	6	Bouton SERVICE
3	Voyant Service	Clignotant Allumé (fixe) La qualité de l'eau s'est dégradée. L'osmoseur s'est arrêté et la qualité de l'eau s'est dégradée.		
4	Voyants sur le robinet Spirit 300 Spirit 300Cp N/A	Vert Jaune Jaune La qualité de l'eau est bonne (compter jusqu'à 120 secondes pour parvenir à cet état). Clignotant: un problème a été détecté. Contrôler le panneau de commande. Allumé (fixe): l'osmoseur s'est arrêté et la qualité de l'eau s'est dégradée.		

# Intérieur du dispositif Spirit et composants de remplacement

FR

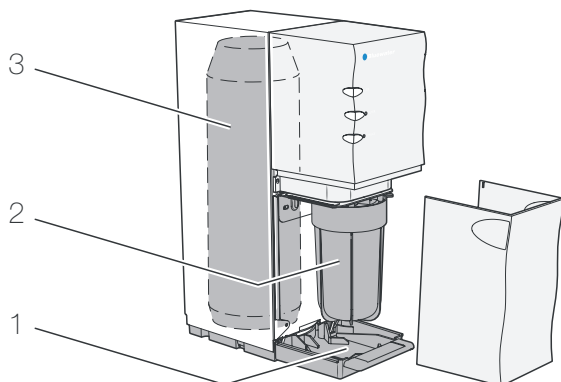


Figure 3. Intérieur du dispositif Spirit

N°	Description	Référence	N°	Description	Référence
1	Base plate		3	Membrane d'osmose inverse	
				Kit d'entretien de membrane, type HR (High Rejection, rejets élevés)	155007301-SP
				Kit d'entretien de membrane, type HF (High Flow, haut débit)	150759380-SP
2	Prefilter, Carbon filter, granulated	919240004			

## Caractéristiques techniques



Pour obtenir des données techniques plus détaillées, consulter le site [www.bluewatergroup.com](http://www.bluewatergroup.com).

Paramètre/Modèle	Spirit 300	Spirit 300Cp
Dimensions LxPxH [mm (")]	150x365x462 (5.9x14.3x18.2)	150x365x462 (5.9x14.3x18.2)
Poids [kg (lbs)]	15 (33)	15 (33)
Alimentation électrique avec mise à la terre	230V 50-60 Hz, 10A	230V 50-60 Hz, 10A
Alimentation électrique avec mise à la terre (US)	120V 60Hz, 10A	120V 60Hz, 10A
Puissance de sortie (US)	350W (3Amps)	350W (3Amps)
Débit d'eau purifiée	893 gal/jour	666 gal/jour
Niveau sonore (en cas d'installation dans un placard sous évier)	< 60 dB(A)	< 60 dB(A)
Robinet avec témoin de la qualité de l'eau	✓	N/A



Ne pas utiliser avec une eau insalubre du point de vue microbiologique ou de qualité in-cconnue sans avoir procédé à une désinfection suffisante du système en aval ou en amont.



Raccorder uniquement à une alimentation en eau froide. Les limites de température sont indiquées dans le tableau "Critères liés à l'eau alimentant l'osmoseur".

## Critères liés à l'eau alimentant l'osmoseur

Description	Spirit 300	Spirit 300Cp
Pression [bar de débit (psi)]	1.5-10 (22-145)	1.5-10 (22-145)
Débit d'eau [l/min (gal/min)]	> 6 (1.6)	> 6 (1.6)
Matières dissoutes totales [mg/l (ppm)]	< 1200	< 1200
Conductivité [ $\mu$ S/cm, 25 °C (77 °F)]	< 1600	< 1600
Température [°C (°F)]	2-35 (36-95)	2-35 (36-95)
Dureté [*TH (grains/gallon)]	< 10 (< 10.4)	<10 (<10.4)
Teneur en Fe <sup>III</sup> /Fe <sup>II</sup> [mg/l (ppm)]	< 0.5/< 0.3	< 0.5/< 0.3
Turbidité [FNU]	< 0.5	< 0.5

## Performances du produit



Le sceau d'or WQA prouve que l'osmoseur Bluewater a été testé et certifié conforme aux normes NSF/ANSI 58 et CSA B483.1 par un organisme indépendant. WQA certifie les performances du produit et contrôle les usines de fabrication et procédures pour garantir l'uniformité et l'intégrité du produit.

L'osmoseur Bluewater a été testé conformément à la norme NSF/ANSI 58 pour la réduction des matières dissoutes totales.

La concentration de matières dissoutes totales dans l'eau qui entre dans le système a été réduite à une concentration inférieure ou égale à la limite autorisée pour l'eau sortant du système, comme indiqué dans la norme NSF/ANSI 58. Consultez la fiche de performances sur le site [www.bluewatergroup.com](http://www.bluewatergroup.com) pour plus d'informations.



# PRÉSENTATION GÉNÉRALE DU SYSTÈME

FR

## Description

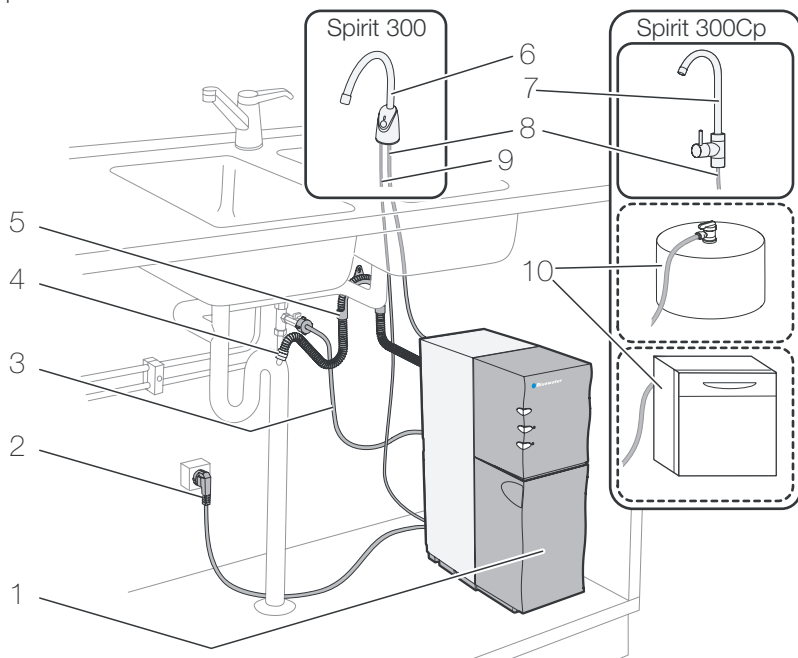


Figure 4. Présentation du système, exemple d'une installation Spirit

N°	Description	N°	Description
1	Osmoseur	6	Robinet Bluewater
2	Câble d'alimentation	7	Robinet adapté à l'osmose inverse
3	Flexible pour eau d'alimentation	8	Flexible pour eau propre
4	Flexible pour eaux usées installé avec dispositif anti-retour	9	Raccord électrique pour robinet (Spirit 300)
5	Fixation du flexible pour eaux usées	10	Réservoir sous pression, appareil électroménager, p. ex. lave-vaisselle.

## Installation



L'installation doit être conforme aux normes et réglementations de plomberie locales applicables.



Raccorder l'osmoseur uniquement à une alimentation en eau froide. L'eau doit être de qualité suffisante et doit respecter les exigences relatives à l'eau d'alimentation.



Il est conseillé de confier l'installation de l'osmoseur à un professionnel recommandé par un détaillant Bluewater agréé.

La procédure est décrite dans le manuel « Complete User manual » et sur le site [www.bluewatergroup.com](http://www.bluewatergroup.com).

## Système anti-fuites

Un capteur placé à la base de l'osmoseur détecte les fuites d'eau. Si une fuite est constatée, le système d'approvisionnement en eau d'alimentation est arrêté. L'osmoseur ne peut être redémarré qu'une fois la fuite résorbée.

## Utilisation prévue

Cet osmoseur est destiné à produire de l'eau purifiée. Il ne doit pas servir à d'autres fins. Toute utilisation à l'extérieur du domicile ou à d'autres fins que la purification de l'eau d'un foyer est considérée comme non conforme et rendra automatiquement caduque la garantie.

Le dispositif à commande électronique Spirit 300 est conçu pour produire la quantité d'eau normalement nécessaire pour la cuisine et la boisson au sein d'un foyer. Le modèle Spirit 300Cp, avec commande par pression, peut être relié à d'autres appareils, par exemple un lave-vaisselle.

## Production d'eau

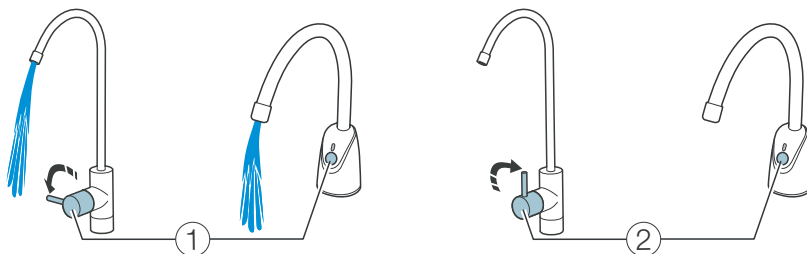


Figure 5. Marche/arrêt de la production d'eau

## Rinçage automatique

Si l'une des conditions suivantes est remplie, un rinçage automatique est effectué :

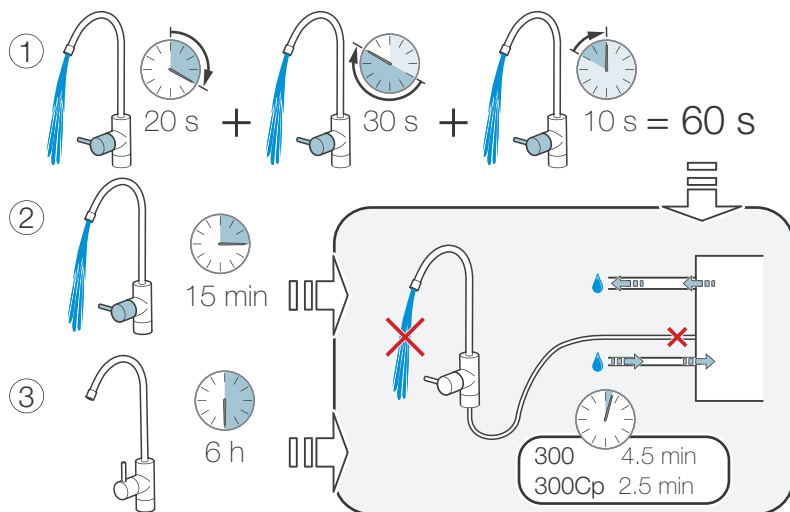


Figure 6. Rinçage automatique

N°	Description
1	Rinçage après soutirage d'eau. Les cycles de production d'une durée inférieure à 60 secondes sont cumulés, et le rinçage a lieu lorsque le temps de soutirage total dépasse cette durée.
2	Rinçage après un temps de fonctionnement maximal de 15 minutes. Le cycle de production suivant peut démarrer dès que le rinçage est terminé.
3	Osmoseur en mode veille. Le dispositif Spirit est raccordé aux circuits d'eau et d'électricité et le dernier rinçage remonte à plus de 6 heures.

# ENTRETIEN

## Entretien quotidien

FR

### Contrôle des voyants

Étape	Opération
1	Vérifier que les voyants Filter et Service ne sont pas allumés ou ne clignotent pas.
2	Vérifier que le voyant jaune sur le robinet n'est pas allumé ou ne clignote pas (Spirit 300).

### Nettoyage de l'osmoseur



Ne pas appliquer de produits chimiques sur la surface. L'alcool, l'essence, les acides organiques et non organiques ainsi que les produits chimiques de base forts (tels que le liquide vaisselle concentré) l'abîmeraient.



Ne pas nettoyer l'osmoseur à l'aide d'instruments durs ou aiguisés.

Étape	Opération
1	Nettoyer la surface extérieure à l'eau légèrement savonneuse avec un chiffon humide doux afin d'éliminer la poussière, les taches et la saleté.
2	Essuyer à l'aide d'un linge doux et sec.

### Entretien régulier



L'entretien périodique est essentiel pour le fonctionnement correct et durable du dispositif. Il est réservé aux professionnels formés à ces opérations et autorisés.



Pour savoir comment réaliser l'entretien, se reporter au manuel « Complete User manual » disponible sur le site [www.bluewatergroup.com](http://www.bluewatergroup.com).

Fréquence	Description
1 mois	Inspecter les branchements
	Essuyer la condensation sur le plateau de base
4-6 mois	Remplacez les filtres. Remplacez les filtres après 4 à 6 mois ou 18 925 l (5 000 gal) d'eau pu-rifiée, selon la première de ces éventualités.
6 mois*	Détartre
1 an	Tester la qualité de l'eau au moins une fois par an. Si l'eau n'est pas propre, ne pas la boire. S'adresser à un détaillant Bluewater.
3-5 ans*	Changer la membrane d'osmose inverse

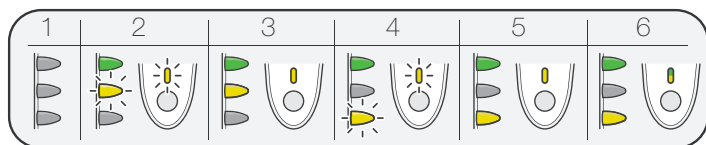
\*La fréquence dépend de la qualité de l'eau et de l'usage qui en est fait.

# DÉPANNAGE

## Résolution de problèmes simples



Pour les problèmes plus complexes, consulter le manuel « Complete User manual » figurant sur le site [www.bluewatergroup.com](http://www.bluewatergroup.com).



Symptôme	Cause	Solution
1 Le voyant ON est éteint.	L'osmoseur n'est pas branché sur le secteur.	Brancher l'osmoseur.
	Spirit 300: Le câble du robinet n'est pas connecté.	Spirit 300: Assurez-vous que le câble du robinet et le raccord sont connectés.
2 Le voyant Filter et le voyant jaune du robinet clignotent.	Le filtre doit être remplacé.	Se reporter au manuel « Complete User manual ».
3 Le voyant Filter et le voyant jaune du robinet sont allumés.	L'osmoseur s'est arrêté. Le filtre doit être remplacé.	Se reporter au manuel « Complete User manual ».
4 Le voyant Service et le voyant jaune du robinet clignotent.	La qualité de l'eau s'est dégradée, mais reste potable. L'osmoseur s'arrêtera bientôt (voir 5).	Contactez Bluewater pour faire remplacer la membrane.
	L'osmoseur s'est arrêté. De l'air est entré dans le système à la suite d'un changement de filtre.	Débrancher l'osmoseur du secteur, puis le rebrancher. Attendre l'exécution du rinçage automatique.
5 Le voyant Service et le voyant jaune du robinet sont allumés.	L'osmoseur s'est arrêté. L'eau propre est maintenant de qualité médiocre.	Contactez Bluewater pour faire remplacer la membrane.
	L'indicateur de la qualité de l'eau ne fonctionne pas.	Contactez un détaillant Bluewater.
6 Le voyant Service et les voyants jaune et vert du robinet sont allumés.	L'osmoseur est bruyant en raison d'une pression d'eau insuffisante.	Contactez un détaillant Bluewater.
	La pression d'entrée est inférieure à 1,5 bar en cours de fonctionnement.	Se reporter au manuel « Complete User manual ».
	La grille est bloquée.	Se reporter au manuel « Complete User manual ».
L'osmoseur ne démarre pas.	Le filtre est bloqué.	Se reporter au manuel « Complete User manual ».
	L'eau est en cours de rinçage.	Patienter 5 minutes.
	Le dispositif de trop-plein est activé.	Débrancher l'osmoseur du secteur et nettoyer le plateau de base. Si le dispositif de trop-plein est réactivé, contacter un détaillant Bluewater.
Spirit 300: Le voyant du robinet n'est pas allumé.	Spirit 300: Le câble du robinet n'est pas connecté.	Spirit 300: Assurez-vous que le câble du robinet et le raccord sont connectés.
	Il y a un problème avec le robinet électronique.	Contactez un détaillant Bluewater.
Le débit du robinet d'eau propre est faible.	Le câble du robinet n'est pas connecté.	Assurez-vous que le câble du robinet et le raccord sont connectés.
	L'osmoseur a besoin d'un détartrage.	Se reporter au manuel « Complete User manual ».
L'eau ne coule pas du robinet d'eau propre.	Le flexible pour eau propre est trop tendu ou coincé.	S'assurer que le flexible peut bouger sans entrave.
	Le robinet de sectionnement pour l'eau d'alimentation est fermé.	Ouvrir le robinet de sectionnement.
L'eau sent mauvais.	Une infection microbienne s'est développée, car l'osmoseur n'a pas été utilisé depuis au moins une semaine.	Se reporter au manuel « Complete User manual ».

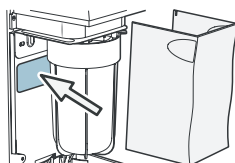
SEGURIDAD .....	22
Instrucciones de seguridad .....	22
Información de seguridad .....	22
VISTA GENERAL DEL PRODUCTO .....	23
Exterior del Spirit .....	23
Interior del Spirit y componentes de recambio .....	24
Información técnica .....	24
Rendimiento del producto.....	25
VISTA GENERAL DEL SISTEMA .....	26
Descripción del sistema.....	26
Instalación.....	26
Sistema de protección antifugas.....	27
Uso indicado.....	27
Producción de agua.....	27
MANTENIMIENTO.....	28
Mantenimiento diario .....	28
Mantenimiento regular .....	28
RESOLUCIÓN DE PROBLEMAS .....	29
Cómo resolver problemas sencillos.....	29

## Atención al cliente

Si tiene alguna incidencia menor, consulte "Resolución de problemas" antes de llamar al servicio de atención al cliente, ya que se puede aplicar una tarifa por la asistencia externa.

Tenga a mano los siguientes datos (que encontrará en la placa de datos situada tras el filtro) cuando llame a Bluewater:

- Modelo
- Referencia del producto
- Número de serie



## Información medioambiental



El 80 % de los componentes del purificador de agua y su embalaje disponen de una etiqueta que indica el modo correcto de reciclarlos. El purificador de agua trabaja de forma más eficaz después de tratar agua durante un tiempo. Es decir, siempre será mejor llenar una jarra de agua que solo un vaso.



Los electrodomésticos que muestran este símbolo deben depositarse en el punto de recogida local designado para la retirada de material eléctrico y electrónico.

Este producto no se debe tirar junto con los desechos comunes de casa.

# SEGURIDAD

## Instrucciones de seguridad

Antes de instalar o manejar el dispositivo, es obligatorio leer la información de seguridad. Respete las instrucciones del manual para evitar lesiones personales o daños en el equipo. Este manual contiene notas de ATENCIÓN y AVISO útiles para el manejo seguro del dispositivo.



Las notas de ATENCIÓN identifican situaciones que pueden causar daños en el equipo. Respete las instrucciones y no prosiga hasta que haya comprobado y evitado todas estas situaciones.



Los Avisos identifican información importante para un uso óptimo y sin errores del purificador de agua.

## Información de seguridad



Si el indicador Service indica que el agua no está limpia, no la beba. Guarde el agua en recipientes resistentes a la corrosión.



Este dispositivo lo pueden utilizar niños con más de 8 años de edad. También lo pueden utilizar personas con discapacidades físicas, sensoriales o mentales, o con falta de experiencia o de conocimientos, siempre que se les supervise o se les faciliten instrucciones acerca del uso seguro del dispositivo y entiendan los riesgos asociados.



No repare ni modifique las piezas del purificador de agua. Esto podría hacer que funcionase de forma incorrecta y provocar daños que no quedarían cubiertos por la garantía.



El Spirit es un sistema de ósmosis inversa. Contiene una membrana intercambiable que es fundamental para la reducción eficaz del total de sólidos disueltos (TDS). Esta membrana se debe cambiar periódicamente.



Únicamente el personal autorizado de Bluewater puede reparar y realizar el mantenimiento del purificador de agua. Solo se pueden utilizar componentes y cartuchos de recambio originales de Bluewater. Si desea consultar el catálogo de recambios o los datos de contacto del departamento comercial, visite [www.bluewatergroup.com](http://www.bluewatergroup.com).



El agua que se va a tratar debe cumplir con los requisitos descritos en el apartado «Información técnica». Compruebe la calidad del agua una vez al año. Si el agua no está limpia y sabe o huele mal, no la beba.



La instalación de fontanería debe cumplir con la reglamentación y las normativas locales.



Conecte el purificador de agua a la alimentación eléctrica con toma de tierra. Utilice un enchufe al que se pueda acceder fácilmente tras la instalación. El cableado permanente del sistema debe llevarlo a cabo únicamente un electricista autorizado. El sistema debe contar con un conmutador de seguridad. Una instalación incorrecta puede provocar daños en el purificador de agua o hacer que resulte peligroso utilizarlo.



No utilice el cable de alimentación si detecta algún desperfecto en él. Si el cable ha sufrido algún daño, un electricista autorizado deberá reemplazarlo para evitar que se provoquen situaciones peligrosas.



Si el purificador de agua va a permanecer desconectado de las tomas de agua y electricidad durante más de una semana, guárdelo del modo descrito en el apartado «Storage» (Almacenamiento) del Complete User Manual.

# VISTA GENERAL DEL PRODUCTO

Modelo	Spirit 300	Control electrónico	Grifo Bluewater
	Spirit 300Cp	Control de presión, compatible con otros electrodomésticos	Grifo adaptado para ósmosis inversa

## Exterior del Spirit

ES

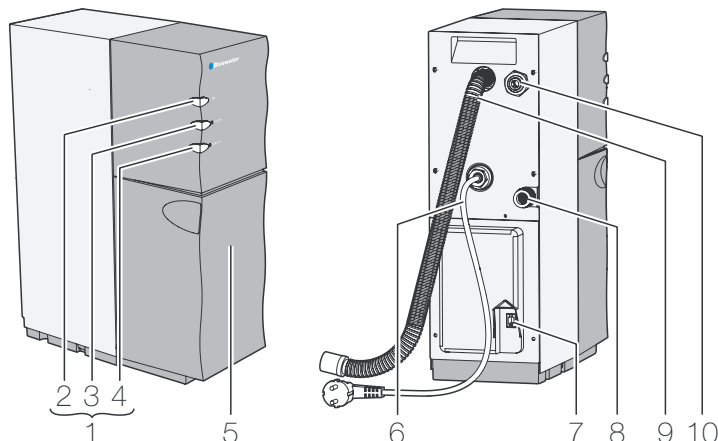


Figure 1. Spirit: exterior

N.º	Descripción	N.º	Descripción
1	Panel de control	6	Cable de alimentación
2	Indicador On	7	Conexión eléctrica para el grifo (Spirit 300)
3	Indicador Filter	8	Entrada de agua con filtro de rejilla
4	Indicador Service	9	Manguera de desagüe del agua
5	Cubierta delantera	10	Conexión de agua limpia

## Panel de control

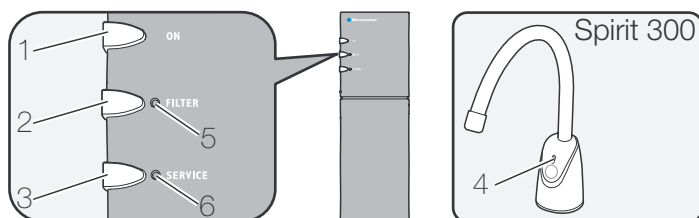


Figure 2. Panel de control

N.º	Indicador	Descripción	N.º	Descripción
1	ON	El purificador de agua está conectado y funciona correctamente.	5	Botón FILTER
2	Indicador FILTER Encendido	Parpadea El purificador de agua está en marcha. Se debe cambiar el filtro. Encendido El purificador de agua se ha detenido. Se debe cambiar el filtro.	6	Botón SERVICE
3	Indicador SERVICE Parpadea Encendido	Parpadea La calidad del agua ha disminuido. Encendido El purificador de agua se ha detenido, la calidad del agua ha disminuido.		
4	Indicadores del grifo Spirit 300 Spirit 300Cp N/A	Verde Buena calidad del agua (puede tardar hasta 120 segundos). Amarillo Parpadea: algo va mal. Compruebe el panel de control. Amarillo Encendido: el purificador se ha detenido, la calidad del agua ha disminuido.		

## Interior del Spirit y componentes de recambio

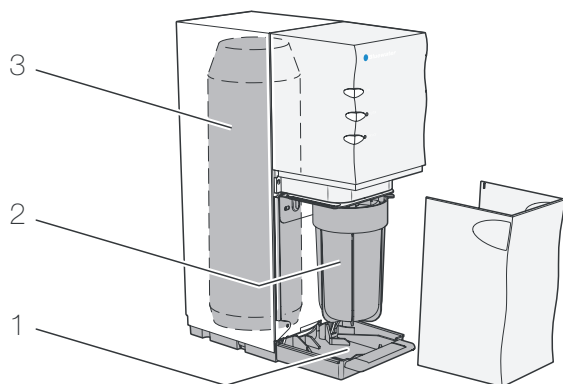


Figure 3. Spirit: interior

N.º	Descripción	Art. n.º	N.º	Descripción	Art. n.º
1	Placa base		3	Membrana de ósmosis inversa	
				Kit de mantenimiento de membranas, tipo HR (Rechazo elevado)	155007301-SP
				Kit de mantenimiento de membranas, tipo HF (Caudal elevado)	150759380-SP
2	Filtro previo, filtro de carbón, granulado	919240004			

## Información técnica



Si desea obtener información técnica detallada, visite [www.bluewatergroup.com](http://www.bluewatergroup.com)

Parámetro/Modelo	Spirit 300	Spirit 300Cp
Dimensiones An.xPr.xAl. [mm (")]	150x365x462 (5.9x14.3x18.2)	150x365x462 (5.9x14.3x18.2)
Peso [kg (lbs)]	15 (33)	15 (33)
Toma de tierra	230V 50-60 Hz, 10A	230V 50-60 Hz, 10A
Toma de tierra (US)	120V 60Hz, 10A	120V 60Hz, 10A
Alimentación (US)	350W (3Amps)	350W (3Amps)
Caudal de agua destilada	893 gal/día	666 gal/día
Nivel acústico (instalado en el armario bajo el fregadero)	< 60 dB(A)	< 60 dB(A)
Grifo con indicador de calidad del agua	✓	N/A



No utilice el purificador con agua si esta no es segura a nivel microbiológico o se desconoce su nivel de calidad por no disponer de la desinfección adecuada antes o después del sistema.



El purificador de agua solo se debe conectar a la toma de agua fría. Los límites de temperatura se encuentran en la tabla "Requisitos de agua alimentación del purificador".



## Requisitos de agua alimentación del purificador

Descripción	Spirit 300	Spirit 300Cp
Presión [barra fluctuante (psi)]	1.5-10 (22-145)	1.5-10 (22-145)
Caudal de agua [l/min (gal/min)]	> 6 (1.6)	> 6 (1.6)
TDS (total de sólidos disueltos) [mg/l (ppm)]	< 1200	< 1200
Conductividad [ $\mu$ S/cm, 25 °C (77 °F)]	< 1600	< 1600
Temperatura [°C (°F)]	2-35 (36-95)	2-35 (36-95)
Dureza [°dH (grains/gallon)]	< 10 (< 10.4)	<10 (<10.4)
Hierro Fe <sup>III</sup> /Fe <sup>II</sup> [mg/l (ppm)]	< 0.5/< 0.3	< 0.5/< 0.3
Turbidez [FNU]	< 0.5	< 0.5

ES

## Rendimiento del producto



El Sello de Oro de la WQA confirma que el purificador de agua Bluewater ha sido probado de forma independiente y certificado de acuerdo con las normas NSF/ANSI 58 y CSA B483.1. La Asociación de la Calidad del Agua (WQA) certifica el rendimiento del producto, además de revisar las instalaciones y los procedimientos de producción para garantizar la consistencia e integridad del producto.

El purificador de agua Bluewater Spirit ha sido probado de acuerdo con la norma NSF/ANSI 58 para la reducción del TDS (total de sólidos disueltos).

La concentración de TDS en el agua que accede al sistema se reduce hasta un nivel inferior o igual al límite permitido para el agua que sale del sistema, según lo estipulado por la norma NSF/ANSI 58.

Consulte la ficha técnica del rendimiento que encontrará en [www.bluewatergroup.com](http://www.bluewatergroup.com) para obtener más detalles.

# VISTA GENERAL DEL SISTEMA

## Descripción del sistema

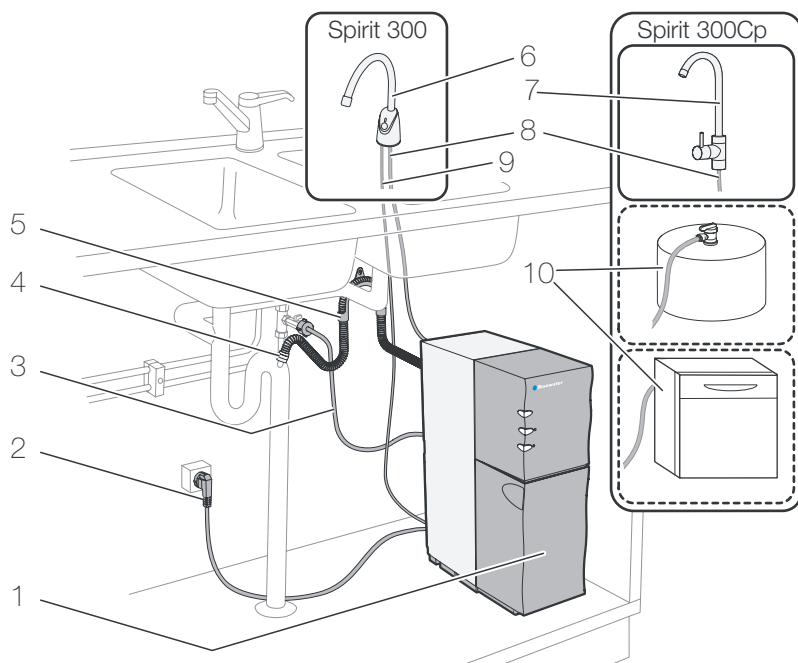


Figure 4. Vista general del sistema, ejemplo de instalación del Spirit

N.º	Descripción	N.º	Descripción
1	Purificador de agua	6	Grifo Bluewater
2	Cable de alimentación	7	Grifo adaptado para ósmosis inversa
3	Manguera de agua de alimentación	8	Manguera de agua purificada
4	Manguera de desagüe del agua, instalada con ventilación	9	Conexión eléctrica para el grifo (Spirit 300)
5	Soporte para la manguera de desagüe	10	Depósito de presión, electrodoméstico, por ejemplo, lavavajillas.

## Instalación



La instalación de fontanería debe cumplir con la reglamentación y las normativas locales.



El purificador de agua solo se debe conectar a la toma de agua fría. El agua debe tener la calidad suficiente y cumplir con los requisitos necesarios para el agua de alimentación.



Se recomienda confiar la instalación del purificador de agua a un profesional recomendado por un distribuidor autorizado de Bluewater. Las instrucciones de instalación se pueden consultar en el Complete User Manual y en [www.bluewatergroup.com](http://www.bluewatergroup.com).

## Sistema de protección antifugas

El sensor instalado en la parte inferior del purificador detecta posibles fugas de agua. En caso de fuga, el suministro de entrada de agua se interrumpe. El purificador de agua no podrá volver a arrancar hasta que dicha fuga se haya subsanado.

# Uso indicado

El purificador de agua está diseñado para producir agua destilada. No lo utilice para ningún otro fin. Todo uso en un lugar diferente de un entorno doméstico cerrado y para cualquier otro fin que no sea purificar el agua de uso doméstico se considera un uso no indicado y anula automáticamente la garantía.

El modelo Spirit 300 con control electrónico está destinado a la producción de la cantidad de agua habitualmente necesaria en una casa para cocinar y beber. El modelo Spirit 300Cp con control de presión también permite su conexión a otros dispositivos, como por ejemplo el lavavajillas.

ES

## Producción de agua

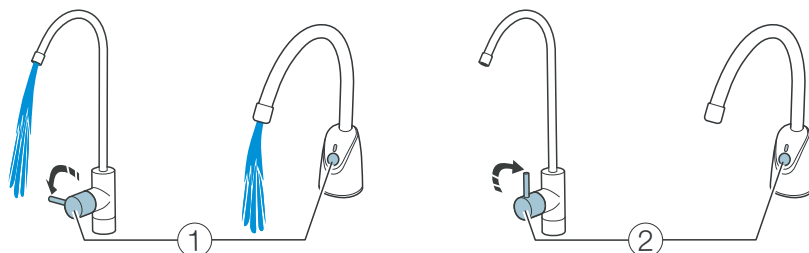


Figure 5. Encendido y apagado de la producción de agua

## Limpieza automática

Se llevará a cabo una limpieza automática si se cumple alguna de las siguientes condiciones:

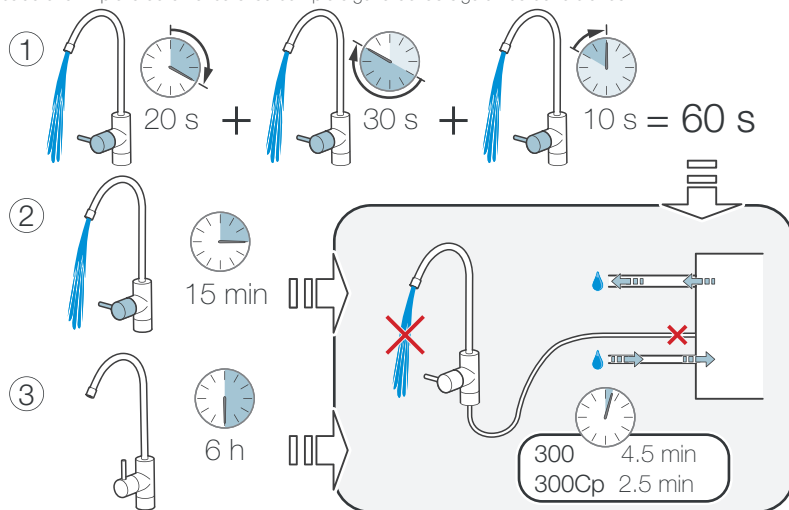


Figure 6. Limpieza automática

N.º	Descripción
1	Limpieza tras la salida de agua. Los ciclos de producción con un tiempo inferior a 60 segundos se agrupan. La limpieza se realiza cuando el tiempo total supera los 60 segundos.
2	Limpieza tras un funcionamiento máximo de 15 minutos. El siguiente ciclo de producción se puede iniciar inmediatamente después de la limpieza.
3	Purificador de agua en espera. Spirit está conectado al agua y la electricidad y hace más de 6 horas de la última limpieza.

# MANTENIMIENTO

## Mantenimiento diario

Compruebe los indicadores

Paso	Acción
1	Compruebe que los indicadores Filter y Service no estén encendidos ni parpadeen.
2	Compruebe que el indicador amarillo del grifo no esté encendido ni parpadee (Spirit 300).

Limpie el purificador de agua



No utilice productos químicos para limpiar la superficie. El alcohol, la gasolina, los ácidos orgánicos e inorgánicos, o los productos químicos básicos fuertes (como los detergentes lavavajillas concentrados) pueden dañar la superficie.



No utilice herramientas rígidas ni afiladas para limpiar el purificador de agua.

Paso	Acción
1	Limpie la superficie externa con un paño húmedo suave y una solución jabonosa débil para eliminar el polvo, las manchas y la suciedad.
2	Seque la superficie con un paño seco suave.

## Mantenimiento regular



El mantenimiento regular es importante para lograr un funcionamiento correcto y duradero. Las tareas de mantenimiento únicamente se deberán encomendar a personal debidamente formado y autorizado.



Para obtener más información acerca de cómo efectuar el mantenimiento, consulte el Complete User Manual en [www.bluewatergroup.com](http://www.bluewatergroup.com)

Frecuencia	Descripción
1 mes	Compruebe las conexiones.
	Limpie la condensación de la placa base.
4-6 meses	Sustituya los filtros. Cambie los filtros después de 4-6 meses o de 18 925 l (5000 gal) de agua purificada, lo que suceda antes.
6 meses*	Descalcifique el equipo.
1 año	Compruebe la calidad del agua anualmente. Si el agua no está limpia, no la beba. Póngase en contacto con un distribuidor de Bluewater.
3-5 años*	Sustituya la membrana de ósmosis inversa

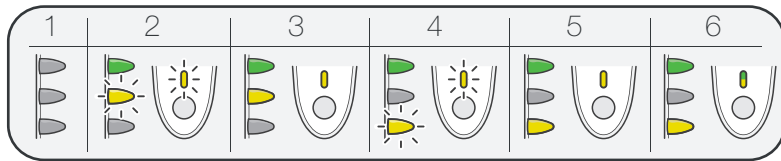
\*La frecuencia depende del uso y la calidad del agua

# RESOLUCIÓN DE PROBLEMAS

## Cómo resolver problemas sencillos



Para la resolución de problemas más graves, consulte el Complete User Manual en [www.bluewatergroup.com](http://www.bluewatergroup.com).



ES

Problema	Causa	Solución
1 El indicador ON no está encendido.	El purificador de agua no está conectado a la alimentación. Spirit 300: El cable del grifo no está conectado.	Conecte el purificador de agua a la alimentación eléctrica. Spirit 300: Asegúrese de que el cable del grifo y el conector están conectados.
2 El indicador Filter y el indicador amarillo del grifo parpadean.	Se debe cambiar el filtro.	Consulte el Complete User Manual.
3 El indicador Filter y el indicador amarillo del grifo están encendidos.	El purificador de agua se ha detenido. Se debe cambiar el filtro.	Consulte el Complete User Manual.
4 El indicador Service y el indicador amarillo del grifo parpadean.	La calidad del agua ha disminuido, pero es seguro beber. El purificador de agua se detendrá pronto. Consulte el punto 5.	Póngase en contacto con Bluewater para sustituir la membrana.
5 El indicador Service y el indicador amarillo del grifo están encendidos.	El purificador de agua se ha detenido. El cambio del filtro ha provocado la entrada de aire en el sistema.	Desconecte el purificador de agua de la alimentación eléctrica. Vuelva a conectarlo. Deje que el purificador de agua lleve a cabo una limpieza automática.
	El purificador de agua se ha detenido. La calidad del agua ha disminuido excesivamente.	Póngase en contacto con Bluewater para sustituir la membrana.
6 El indicador Service y los indicadores amarillo y verde del grifo están encendidos.  El purificador de agua hace ruido porque no hay suficiente presión de agua.	El medidor de calidad del agua no funciona.	Póngase en contacto con un distribuidor de Bluewater.
	La presión de entrada es inferior a 1,5 bar durante el funcionamiento.	Póngase en contacto con un distribuidor de Bluewater.
	La rejilla está atascada. El filtro está atascado.	Consulte el Complete User Manual Consulte el Complete User Manual
El purificador de agua no se pone en marcha.	El purificador descarga agua.	Espere 5 minutos.
	El sistema de protección contra el desbordamiento está activado.	Desconecte el purificador de agua de la alimentación eléctrica y limpie la placa base. Si el sistema de protección contra el desbordamiento se vuelve a activar, póngase en contacto con su distribuidor de Bluewater.
	Spirit 300: El cable del grifo no está conectado.	Spirit 300: Asegúrese de que el cable del grifo y el conector están conectados.
Spirit 300: el indicador del grifo no está encendido.	Hay un problema con el grifo electrónico.	Póngase en contacto con un distribuidor de Bluewater.
	El cable del grifo no está conectado.	Asegúrese de que el cable del grifo y el conector están conectados.
El caudal del grifo de agua purificada es bajo.	El purificador de agua necesita un proceso de descalcificación.	Consulte el Complete User Manual.
	La manguera de agua purificada está tensionada o atascada.	Asegúrese de que la manguera de agua purificada se mueva con fluidez.
No sale agua del grifo de agua purificada.	La válvula de cierre de la entrada de agua está cerrada.	Abra la válvula de la entrada de agua.
El agua presenta mal olor.	Se han generado microbios en el agua porque el purificador no se ha utilizado durante una semana o más.	Consulte el Complete User Manual

# Índice

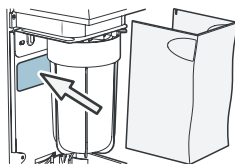
SEGURANÇA.....	31
Instruções de segurança .....	31
Informações de segurança .....	31
VISÃO GERAL DO PRODUTO.....	32
Parte exterior do Spirit .....	32
Parte interior do Spirit e componentes de substituição .....	33
Informações técnicas .....	33
Desempenho do produto .....	34
VISÃO GERAL DO SISTEMA.....	35
Descrição do sistema.....	35
Instalação .....	35
Sistema de proteção contra fugas .....	35
Utilização pretendida .....	36
Produção de água .....	36
MANUTENÇÃO .....	37
Manutenção diária.....	37
Manutenção regular .....	37
RESOLUÇÃO DE PROBLEMAS.....	38
Resolução de problemas simples .....	38

## Assistência ao cliente

Consulte a secção "Resolução de problemas" para resolver pequenos problemas antes de solicitar assistência. Caso necessite de assistência externa, esta pode ter um custo.

Certifique-se de que tem os seguintes dados (contidos na placa de dados localizada atrás do filtro) à mão quando contactar a Bluewater:

- Modelo
- Número do produto
- Número de série



## Informações ambientais



Oitenta por cento dos componentes dos purificadores de água e das suas embalagens contêm uma etiqueta para o ajudar a reciclá-los e eliminá-los corretamente. O purificador de água é mais eficiente quando limpa água durante longos períodos. Exemplo: não encha um copo com água. Encha antes um jarro.



Os dispositivos que contenham este símbolo devem ser depositados no ponto de receção local designado para a eliminação de equipamentos elétricos e eletrónicos. Este produto não pode ser eliminado através dos processos normais de recolha de resíduos domésticos.

# SEGURANÇA

## Instruções de segurança

Antes de instalar ou utilizar o dispositivo, deve ler as informações de segurança. Cumpra as instruções neste manual para evitar lesões ou danos no equipamento. Este manual contém indicações de ATENÇÃO e NOTAS aplicáveis para o funcionamento do dispositivo em segurança.



Uma indicação de ATENÇÃO identifica condições que podem causar lesões ou danos no equipamento. Cumpra as instruções e não continue até que todas as condições estejam reunidas e sejam aceitáveis.



Uma indicação de NOTA identifica informações importantes para uma utilização ideal e sem problemas do purificador de água.

PT

## Informações de segurança



Não beba a água quando a service light indicar que esta não está limpa. Armazene a água em recipientes resistentes à corrosão.



Este dispositivo pode ser utilizado por crianças com idade superior a 8 anos. Também pode ser utilizado por pessoas com capacidades físicas, sensoriais ou mentais reduzidas ou com falta de experiência e conhecimento, desde que tenham supervisão ou recebido instruções relativamente à utilização do dispositivo de forma segura e compreendam os riscos envolvidos.



Não repare nem modifique peças do purificador de água. Isto poderá provocar o funcionamento incorreto do dispositivo e causar lesões e danos que não são cobertos pela garantia.



O Spirit é um sistema de osmose inversa. Contém uma membrana substituível que é muito importante para a redução efetiva de sólidos dissolvidos totais (SDT). Substitua regularmente esta membrana.



Quaisquer operações de assistência e reparação no purificador de água podem ser realizadas apenas por pessoal aprovado pela Bluewater. Utilize apenas peças e cartuchos de substituição originais da Bluewater. Para obter o catálogo de peças sobresselentes e informações de contacto para compras, consulte [www.bluewatergroup.com](http://www.bluewatergroup.com).



A água a ser limpa deve cumprir os requisitos das "Informações técnicas". Teste a água uma vez todos os anos. Se a água não estiver limpa ou tiver um gosto ou cheiro desagradável, não a beba.



A instalação deve cumprir as normas e os regulamentos de canalização locais aplicáveis.



Ligue o purificador de água a uma fonte de alimentação com ligação à terra. Utilize uma tomada que seja de fácil acesso após a instalação. As ligações permanentes no sistema devem ser executadas apenas por um electricista aprovado. Deve ser instalado um interruptor de segurança no sistema. A instalação incorreta pode causar danos ou tornar perigosa a utilização do purificador de água.



Não utilizar o cabo de alimentação se este apresentar sinais visíveis de danos. Caso o cabo de alimentação se encontre danificado, este deve ser substituído por um electricista qualificado para prevenir perigos.



Se o purificador de água for desligado da água e da eletricidade durante mais de uma semana, armazene-o conforme descrito no capítulo "Armazenamento" do Complete User manual.

# VISÃO GERAL DO PRODUTO

Modelo	Spirit 300	Controlado eletronicamente	Torneira Bluewater
	Spirit 300Cp	Pressão controlada, compatível com eletrodomésticos	Torneira adaptada para osmose inversa

## Parte exterior do Spirit

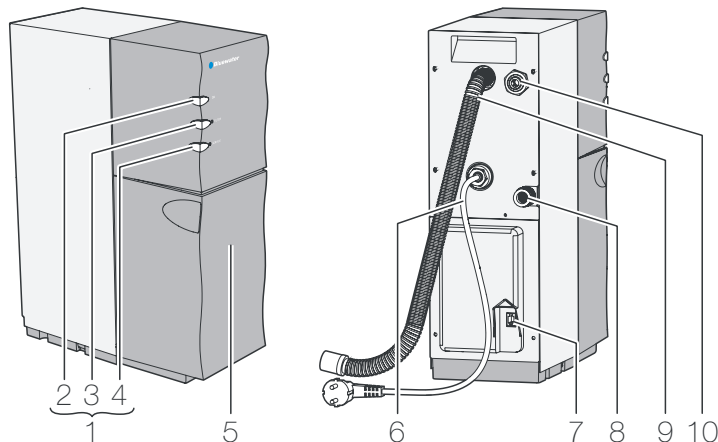


Figure 1. Parte exterior do Spirit

Item	Descrição	Item	Descrição
1	Painel de controle	6	Cabo de alimentação
2	Luz On	7	Ligação elétrica da torneira (Spirit 300)
3	Luz Filter	8	Ligação de alimentação de água com filtro de rede
4	Luz Service	9	Mangueira de drenagem de água
5	Cobertura frontal	10	Ligação da água limpa

## Painel de controle

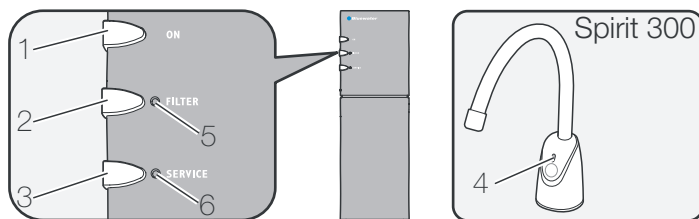


Figure 2. Painel de controle

Item	Luz	Descrição	Item	Descrição
1	ON	O purificador de água está ligado e funciona corretamente.	5	Botão FILTER
2	Luz FILTER	Intermitente Ligada	6	Botão SERVICE
3	Luz SERVICE	Intermitente Ligada		
4	Luzes da torneira Spirit 300 Spirit 300Cp N/A	Verde Amarelo Amarelo		
		Indica boa qualidade da água (pode demorar até 120 segundos). Intermitente: Existe um erro. Verifique o painel de controle. Ligada: O purificador de água parou. A qualidade da água diminuiu.		



## Parte interior do Spirit e componentes de substituição

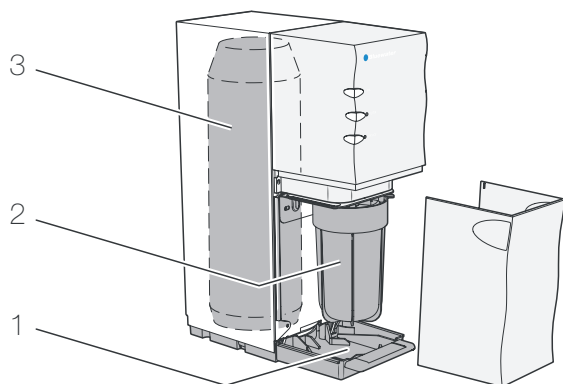


Figure 3. Parte interior do Spirit

Item	Descrição	Nº do art.	Item	Descrição	Nº do art.
1	Placa de base		3	Membrana de osmose reversa	
				Kit de serviço da membrana, tipo HR (Elevada rejeição)	155007301-SP
				Kit de serviço da membrana, tipo HF (Elevado fluxo)	150759380-SP
2	Pré-filtro, filtro de carbono, granulado	919240004			

## Informações técnicas



Para obter informações técnicas mais detalhadas, consulte [www.bluewatergroup.com](http://www.bluewatergroup.com)

Parâmetro/Modelo	Spirit 300	Spirit 300Cp
Dimensões LxPxAl [mm (*)]	150x365x462 (5.9x14.3x18.2)	150x365x462 (5.9x14.3x18.2)
Peso [kg (lbs)]	15 (33)	15 (33)
Fonte de alimentação, fonte com ligação à terra Fonte de alimentação, fonte com ligação à terra (US)	230V 50-60 Hz, 10A 120V 60Hz, 10A	230V 50-60 Hz, 10A 120V 60Hz, 10A
Energia (US)	350W (3Amp)	350W (3Amp)
Débito de água purificada	3380 l/dia	2520 l/dia
Nível de som (instalado no armário por baixo do lava-louça)	< 60 dB(A)	< 60 dB(A)
Torneira com indicador luminoso da qualidade da água	✓	N/A



Não use com água que seja microbiologicamente insegura ou de qualidade desconhecida sem desinfecção suficiente antes ou após o sistema.



Ligue apenas ao fornecimento de água fria. Os limites de temperatura encontram-se na tabela "Requisitos da alimentação de água do purificador de água".

## Requisitos da alimentação de água do purificador de água

Descrição	Spirit 300	Spirit 300Cp
Pressão [bar de fluxo (psi)]	1.5-10 (22-145)	1.5-10 (22-145)
Fluxo de água [l/min (gal/min)]	> 6 (1.6)	> 6 (1.6)
TDS (Total de sólidos dissolvidos) [mg/l (ppm)]	< 1200	< 1200
Condutividade [ $\mu$ S/cm, 25 °C (77 °F)]	< 1600	< 1600
Temperatura [°C (°F)]	2-35 (36-95)	2-35 (36-95)
Dureza [°dH (grains/gallon)]	< 10 (< 10.4)	<10 (<10.4)
Ferro Fe <sup>II</sup> /Fe <sup>III</sup> [mg/l (ppm)]	< 0.5/< 0.3	< 0.5/< 0.3
Turbidez [FNU]	< 0.5	< 0.5

## Desempenho do produto



O selo dourado WQA comprova que o purificador de água Bluewater foi testado e certificado por uma entidade independente em conformidade com a NSF/ANSI 58 e a norma CSA B483.1. O WQA certifica o desempenho do produto e analisa as instalações de produção e os procedimentos para garantir a consistência e a integridade do produto.

O purificador de água Bluewater Spirit foi testado em conformidade com a NSF/ANSI 58 para redução dos SDT (sólidos dissolvidos totais).

A concentração de SDT na água que entra no sistema foi reduzida para uma concentração inferior a ou igual ao limite permitido para a água que sai do sistema, tal como especificado na NSF/ANSI 58.

Consulte a ficha técnica do desempenho em [www.bluewatergroup.com](http://www.bluewatergroup.com) para obter mais informações.

# VISÃO GERAL DO SISTEMA

## Descrição do sistema

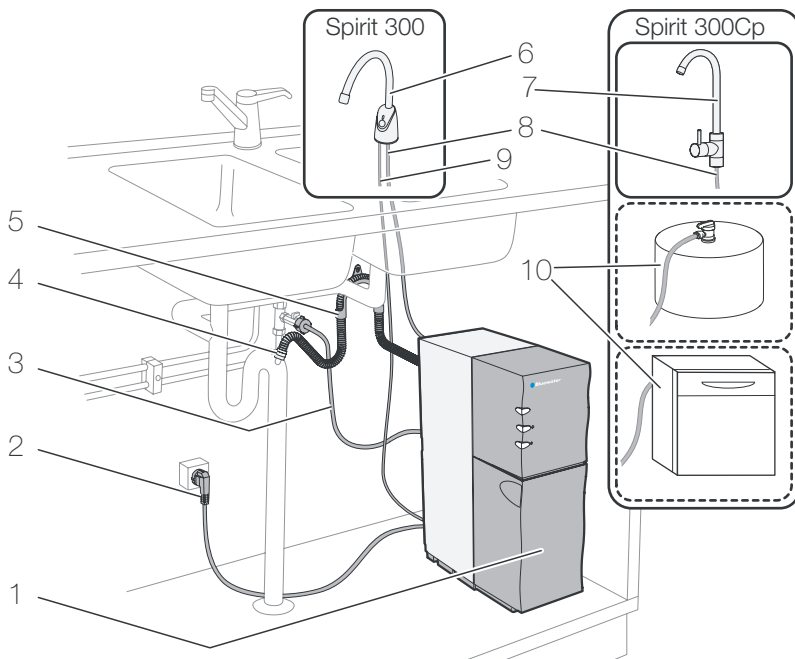


Figure 4. Descrição geral do sistema, um exemplo de uma instalação Spirit

Item	Descrição	Item	Descrição
1	Purificador de água	6	Torneira Bluewater
2	Cabo de alimentação	7	Torneira adaptada para osmose inversa
3	Mangueira de alimentação de água	8	Mangueira de água limpa
4	Mangueira de drenagem de água, instalada com caixa de ar	9	Ligação elétrica da torneira (Spirit 300)
5	Suporte da mangueira de drenagem de água	10	Depósito de pressão, eletrodoméstico, por ex. máquina de lavar louça.

## Instalação



A instalação deve cumprir as normas e os regulamentos de canalização locais aplicáveis.



Ligue o purificador de água apenas ao fornecimento de água fria. A água deverá ter qual-idade suficiente e cumprir os requisitos de fornecimento de água.



Recomendamos que o purificador de água seja instalado por um profissional recomendado por um concessionário Bluewater autorizado. As instruções de instalação estão disponíveis no Complete User manual e em [www.bluewatergroup.com](http://www.bluewatergroup.com).

## Sistema de proteção contra fugas

Um sensor no fundo do purificador de água deteta fugas de água. Caso haja alguma fuga, o fornecimento de alimentação de água é interrompido. O purificador de água não pode ser ligado novamente até que a fuga seja reparada.

# Utilização pretendida

O purificador de água foi concebido para produzir água purificada. Não se deve utilizar para qualquer outro fim. Qualquer utilização para além do ambiente doméstico interior e para outros fins que não sejam a purificação de água para utilização doméstica é considerada como utilização não pretendida e invalidará automaticamente a sua garantia.

O Spirit 300 controlado eletronicamente foi concebido para produzir a quantidade de água que é normalmente necessária para cozinhar e beber numa habitação. O Spirit 300Cp controlado por pressão pode ser ligado a outros dispositivos, como as máquinas de lavar louça.

## Produção de água

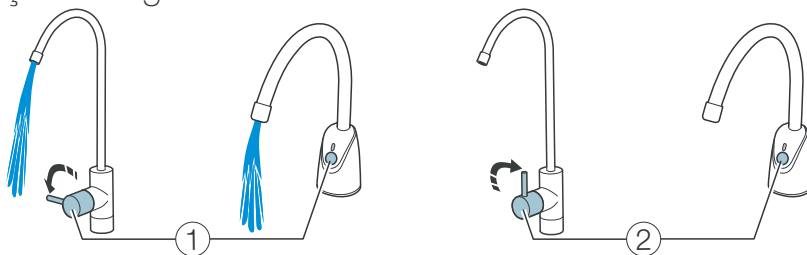


Figure 5. Ligar/desligar a produção de água

## Lavagem automática

Será executada uma lavagem automática se uma das seguintes condições for observada:

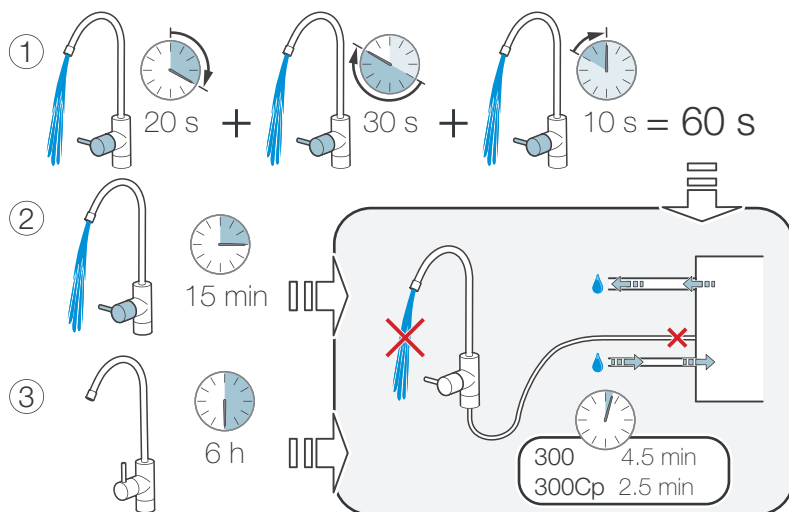


Figure 6. Lavagem automática

Item	Descrição
1	Lavagem após a extração de água. Os ciclos de produção inferiores a 60 segundos são somados, e é executada uma lavagem quando o tempo de extração total excede os 60 segundos.
2	Lavagem após o tempo de funcionamento máximo de 15 minutos. O ciclo de produção seguinte pode ser iniciado imediatamente após a conclusão da lavagem.
3	Purificador de água no modo de suspensão. O Spirit está ligado a água e à eletricidade e decorreram mais de 6 horas desde a última lavagem.

# MANUTENÇÃO

## Manutenção diária

Verificar os indicadores luminosos

Passo	Ação
1	Certifique-se de que a filter light ou a service light não estão ligadas nem a piscar.
2	Certifique-se de que a luz amarela da torneira não está ligada nem a piscar. (Spirit 300).

PT

Limpar o purificador de água



Não utilize produtos químicos para limpar a superfície. A utilização de álcool, petróleo, ácidos orgânicos e inorgânicos, produtos químicos básicos fortes (tais como detergente concentrado para máquina de lavar louça) provocará danos na superfície.



Não utilize ferramentas rígidas ou afiadas para limpar o purificador de água.

Passo	Ação
1	Limpe a superfície exterior com um pano macio e húmido e uma solução com pouco sabão para remover pó, manchas e sujidade.
2	Seque com um pano seco e macio.

## Manutenção regular



A manutenção regular é importante para uma correta utilização das funções e funcionamento a longo prazo. A manutenção apenas pode ser realizada por pessoal aprovado e com a devida formação.



Para obter instruções sobre como efetuar a manutenção, consulte o Complete User manual em [www.bluewatergroup.com](http://www.bluewatergroup.com)

Frequência	Descrição
1 mês	Verifique as ligações
	Limpe a condensação da placa de base
4-6 meses	Substitua os filtros. Substitua os filtros após 4-6 meses ou 18 925 litros de água purificada, o que ocorrer primeiro
6 meses*	Remova os depósitos de calcário
1 ano	Teste a água todos os anos. Se a água não estiver limpa, não a beba. Contacte um concessionário Bluewater.
3-5 anos*	Substitua a membrana de osmose inversa

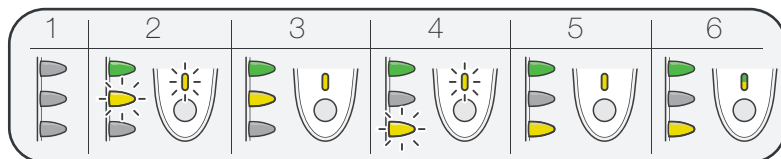
\*A frequência depende da utilização e da qualidade da água

# RESOLUÇÃO DE PROBLEMAS

## Resolução de problemas simples



Para problemas mais graves, consulte o Complete User manual em [www.bluewatergroup.com](http://www.bluewatergroup.com)



Sintoma	Causa	Solução
1 A luz ON não está ligada.	O purificador de água não está ligado à alimentação elétrica.	Ligue o purificador de água à alimentação elétrica.
	Spirit 300: O cabo da torneira não está ligado.	Spirit 300: Certifique-se de que o cabo da torneira e o conector estão ligados.
2 A luz filter e a luz amarela da torneira estão intermitentes.	O filtro deve ser substituído.	Consulte o Complete User manual.
3 A luz filter e a luz amarela da torneira estão ligadas.	O purificador de água parou. O filtro deve ser substituído.	Consulte o Complete User manual.
4 A luz service e a luz amarela da torneira estão intermitentes.	A qualidade da água diminuiu, mas é segura para beber. O purificador de água irá parar em breve, consulte o n.º 5.	Contacte a Bluewater para substituir a membrana.
5 A luz service e a luz amarela da torneira estão ligadas.	O purificador de água parou. A substituição do filtro provocou a entrada de ar no sistema.	Desligue o purificador de água da alimentação elétrica. Volte a ligá-lo. Deixe o purificador de água executar a lavagem automática.
	O purificador de água parou. A qualidade da água limpa tornou-se demasiado baixa.	Contacte a Bluewater para substituir a membrana.
6 A luz service e as luzes amarela e verde da torneira estão ligadas.	O medidor da qualidade da água não funciona.	Contacte o seu concessionário Bluewater.
	O purificador de água faz ruído porque a pressão da água não é suficiente.	A pressão de entrada é inferior a 1,5 bar durante o funcionamento. A rede está obstruída. O filtro está obstruído.
O purificador de água não inicia.	O purificador de água está a limpar água.	Aguarde 5 minutos.
	O sistema de proteção contra transbordos está ativado.	Desligue o purificador de água da alimentação elétrica e limpe a placa de base. Se a proteção contra transbordos for novamente ativada, contacte o seu concessionário Bluewater.
	Spirit 300: O cabo da torneira não está ligado.	Spirit 300: Certifique-se de que o cabo da torneira e o conector estão ligados.
Spirit 300: A luz da torneira não acende.	Existe um problema com a torneira eletrónica.	Contacte o seu concessionário Bluewater.
	O cabo da torneira não está ligado.	Certifique-se de que o cabo da torneira e o conector estão ligados.
O débito da torneira de água limpa é baixo.	O purificador de água necessita de ser desincrustado.	Consulte o Complete User manual.
	A mangueira de água limpa está sob tensão ou bloqueada.	Certifique-se de que a mangueira de água limpa se pode mover livremente.
A água não flui da torneira de água limpa.	A válvula de corte de alimentação de água está fechada.	Abra a válvula de corte de alimentação de água.
A água cheira mal.	Crescimento microbiano na água por falta de funcionamento do purificador de água por uma semana ou mais.	Consulte o Complete User manual.

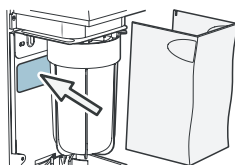
SICUREZZA .....	40
Istruzioni per la sicurezza .....	40
Informazioni sulla sicurezza .....	40
PANORAMICA DEL PRODOTTO .....	41
Esterno dello Spirit .....	41
Interno dello Spirit e parti di ricambio .....	42
Informazioni tecniche .....	42
Prestazioni del prodotto .....	43
PANORAMICA DEL SISTEMA .....	44
Descrizione del sistema .....	44
Installazione .....	44
Sistema di protezione dell'impianto .....	44
Destinazione d'uso .....	45
Produzione di acqua .....	45
MANUTENZIONE .....	46
Manutenzione giornaliera .....	46
Manutenzione regolare .....	46
RISOLUZIONE DEI PROBLEMI .....	47
Come risolvere problemi semplici .....	47

## Assistenza clienti

Per i problemi minori consultare "Risoluzione dei problemi" prima di contattare l'assistenza. L'eventuale assistenza esterna può comportare costi aggiuntivi.

Per contattare Bluewater sarà necessario avere a disposizione i seguenti dati (reperibili sulla targhetta identificativa dietro al filtro):

- Modello
- Codice prodotto
- Numero di serie



## Informazioni ambientali



L'80% dei componenti del depuratore d'acqua e la relativa confezione sono dotati di un'etichetta per facilitare il riciclo e lo smaltimento corretti. Il depuratore d'acqua è più efficiente quando agisce per periodi prolungati. Per es. non riempire un bicchiere di acqua, ma una caraffa.



Gli apparecchi dotati di questo simbolo devono essere portati al punto di raccolta locale previsto per lo smaltimento delle apparecchiature elettriche ed elettroniche.

Questo prodotto non può essere smaltito con i normali processi di raccolta dei rifiuti domestici.

# SICUREZZA

## Istruzioni per la sicurezza

Prima di installare o utilizzare il dispositivo, leggere le informazioni sulla sicurezza. Rispettare le istruzioni contenute nel presente manuale per evitare lesioni personali o danni all'apparecchio. Questo manuale contiene ATTENZIONI e AVVISI da seguire per garantire un funzionamento sicuro del dispositivo.



"ATTENZIONE" indica condizioni che possono provocare lesioni o danni all'apparecchio. Rispettare le istruzioni e non utilizzare l'apparecchio fino a quando tutte le condizioni non vengono accettate e soddisfatte.



"Nota" identifica informazioni importanti per un uso ottimale e senza problemi del depuratore d'acqua.

## Informazioni sulla sicurezza



Non bere l'acqua quando la spia Service indica che non è pulita. Conservare l'acqua in recipienti resistenti alla corrosione.



Questo apparecchio può essere usato da bambini con età superiore a 8 anni. Non è destinato a essere utilizzato da persone con ridotte capacità fisiche, sensoriali o mentali oppure con esperienza o competenze insufficienti, a meno che non siano sotto la supervisione di una persona responsabile o vengano istruite in merito all'utilizzo sicuro dell'apparecchio, in modo da comprendere i rischi che esso comporta.



Non riparare o modificare parti del depuratore d'acqua. Ciò potrebbe causare un funzionamento errato e provocare lesioni e danni non coperti dalla garanzia.



Spirit è un depuratore d'acqua a osmosi inversa. Contiene una membrana sostituibile che è molto importante per un'efficace riduzione dei solidi totali disciolti, TDS. Sostituire periodicamente la membrana.



Solo il personale autorizzato Bluewater può eseguire manutenzione e riparazioni sul depuratore d'acqua. Si consiglia di utilizzare solo cartucce e parti di ricambio originali Bluewater. Per il catalogo ricambi e per informazioni sugli acquisti, consultare [www.bluewatergroup.com](http://www.bluewatergroup.com).



L'acqua da depurare deve rispettare i requisiti riportati in "Informazioni tecniche". Testare l'acqua una volta all'anno. Non bere acqua non pulita o con un gusto o un odore sgradevole.



L'installazione deve rispettare i codici e le regolamentazioni idrauliche locali vigenti.



Collegare il depuratore d'acqua a una rete elettrica con messa a terra. Usare una spina che sia facilmente accessibile anche dopo l'installazione. Il cablaggio permanente deve essere eseguito solo da un elettricista autorizzato. Installare un interruttore di sicurezza sull'impianto. Un'installazione non corretta può provocare danni o rendere pericoloso l'uso del depuratore d'acqua.



Non usare il cavo di alimentazione se presenta segni visibili di danneggiamento. Se il cavo di alimentazione è danneggiato, un elettricista qualificato deve sostituirlo per evitare danni.



Se il depuratore d'acqua rimane scollegato dall'acqua e dall'elettricità per più di una settimana, riportarlo come descritto nel Complete User manual in "Conservazione".



# PANORAMICA DEL PRODOTTO

Modello	Spirit 300	A controllo elettronico	Rubinetto Bluewater
	Spirit 300Cp	A controllo di pressione, compatibile con gli elettrodomestici	Rubinetto adattato all'osmosi inversa

## Esterno dello Spirit

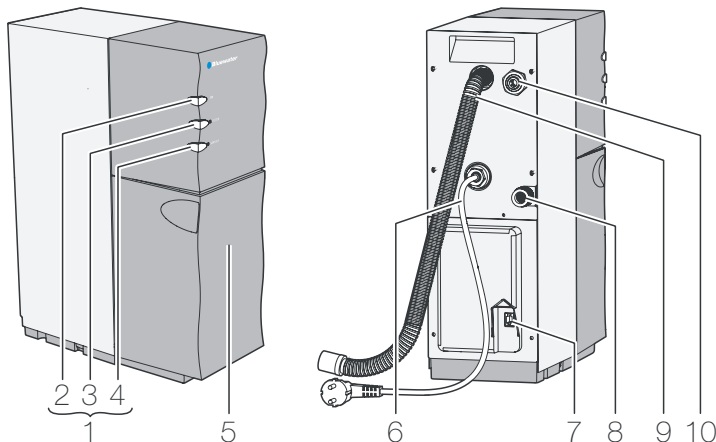


Figure 1. Esterno dello Spirit

Pos	Descrizione	Pos	Descrizione
1	Pannello di controllo	6	Cavo elettrico
2	Spia ON	7	Collegamento elettrico per rubinetto (Spirit 300)
3	Spia Filter	8	Collegamento acqua di mandata con filtro a griglia
4	Spia Service	9	Flessibile acqua di scarico
5	Protezione anteriore	10	Collegamento acqua pulita

## Pannello di controllo

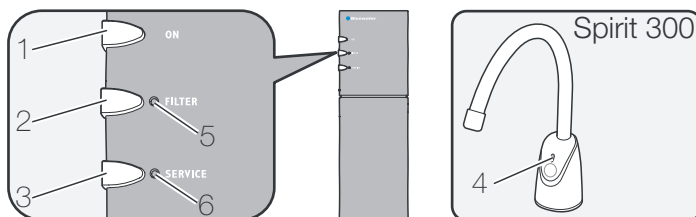


Figure 2. Pannello di controllo

Pos	Spia	Descrizione	Pos	Descrizione
1	ON	Il depuratore d'acqua è collegato e funziona correttamente.	5	Pulsante FILTER
2	Spia FILTER	Lampeggia ON Il depuratore d'acqua funziona. Il filtro deve essere sostituito. Il depuratore d'acqua è in arresto. Il filtro deve essere sostituito.	6	Pulsante SERVICE
3	Spia SERVICE	Lampeggia ON Qualità dell'acqua diminuita. Il depuratore d'acqua è in arresto, la qualità dell'acqua è diminuita.		
4	Spie rubinetto Spirit 300 Spirit 300Cp N/A	Verde Indica che l'acqua è di buona qualità (può richiedere 120 secondi). Giallo Lampeggia: problema rilevato. Fare riferimento al pannello di controllo. Giallo ON: il depuratore d'acqua è in arresto, la qualità dell'acqua è diminuita.		

## Interno dello Spirit e parti di ricambio

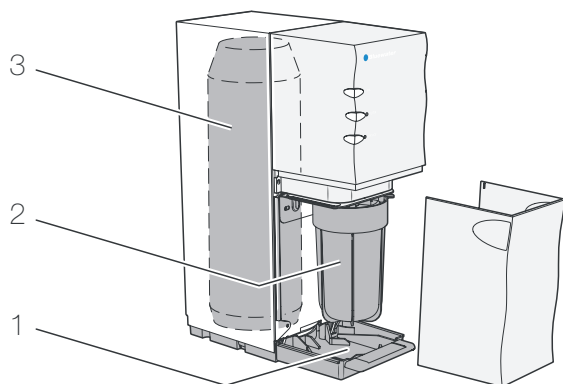


Figure 3. Interno dello Spirit

Pos	Descrizione	Codice art.	Pos	Descrizione	Codice art.
1	Piastra di base		3	Membrana a osmosi inversa	
				Kit manutenzione membrana, tipo HR (alta relazione)	155007301-SP
				Kit manutenzione membrana, tipo HF (alta portata)	150759380-SP
2	Prefiltro, filtro carbone, granulato	919240004			

## Informazioni tecniche



Per informazioni tecniche più dettagliate, consultare il sito [www.bluewatergroup.com](http://www.bluewatergroup.com)

Parametro/Modello	Spirit 300	Spirit 300Cp
Dimensioni L x P x H [mm (")]	150x365x462 (5.9x14.3x18.2)	150x365x462 (5.9x14.3x18.2)
Peso [kg (lbs)]	15 (33)	15 (33)
Alimentazione elettrica con messa a terra	230V 50-60 Hz, 10A	230V 50-60 Hz, 10A
Alimentazione elettrica con messa a terra US	120V 60Hz, 10A	120V 60Hz, 10A
Alimentazione (US)	350W (3Amps)	350W (3Amps)
Portata d'acqua purificata	3380 litri/giorno	2521 litri/giorno
Livello di rumorosità (installato nel mobile sotto rubinetto)	< 60 dB(A)	< 60 dB(A)
Rubinetto con spia per la qualità dell'acqua	✓	N/A



Non utilizzare con acqua microbiologicamente non sicura o di dubbia qualità senza un'adeguata disinfezione prima o dopo aver usato l'apparecchio.



Collegare il depuratore solo al raccordo di entrata dell'acqua fredda. I limiti di temperatura sono riportati nella tabella "Requisiti dell'acqua di mandata al depuratore"

## Requisiti dell'acqua di mandata al depuratore

Descrizione	Spirit 300	Spirit 300Cp
Pressione [bar (psi)]	1.5-10 (22-145)	1.5-10 (22-145)
Portata d'acqua [l/min (gal/min)]	> 6 (1.6)	> 6 (1.6)
Solidi totali disciolti (TDS) [mg/l (ppm)]	< 1200	< 1200
Conduttività [ $\mu$ S/cm, 25 °C (77 °F)]	< 1600	< 1600
Temperatura [°C (°F)]	2-35 (36-95)	2-35 (36-95)
Durezza [°dH (grains/gallon)]	< 10 (< 10.4)	<10 (<10.4)
Ferro Fe <sup>II</sup> /Fe <sup>III</sup> [mg/l (ppm)]	< 0.5/< 0.3	< 0.5/< 0.3
Torbidità [FNU]	< 0.5	< 0.5

IT

## Prestazioni del prodotto



Il Sigillo d'oro della Water Quality Association prova che il depuratore d'acqua Bluewater è stato collaudato da soggetti indipendenti ed è certificato in base alle norme NSF/ANSI 58 e CSA Standard B 483.1. WQA certifica le prestazioni del prodotto e controlla il sito di produzione e le procedure per garantire l'assoluta qualità e integrità del prodotto.

Il depuratore d'acqua Spirit di Bluewater è stato testato secondo le norme NSF/ANSI 58 per la riduzione dei TDS, solidi totali disciolti.

La concentrazione di solidi totali disciolti nell'acqua in entrata nell'apparecchio è stata ridotta a una concentrazione inferiore o pari al limite ammissibile per l'acqua in uscita dall'apparecchio, come specificato dalle norme NSF/ANSI 58.

Per maggiori dettagli consultare la scheda tecnica su [www.bluewatergroup.com](http://www.bluewatergroup.com).

# PANORAMICA DEL SISTEMA

## Descrizione del sistema

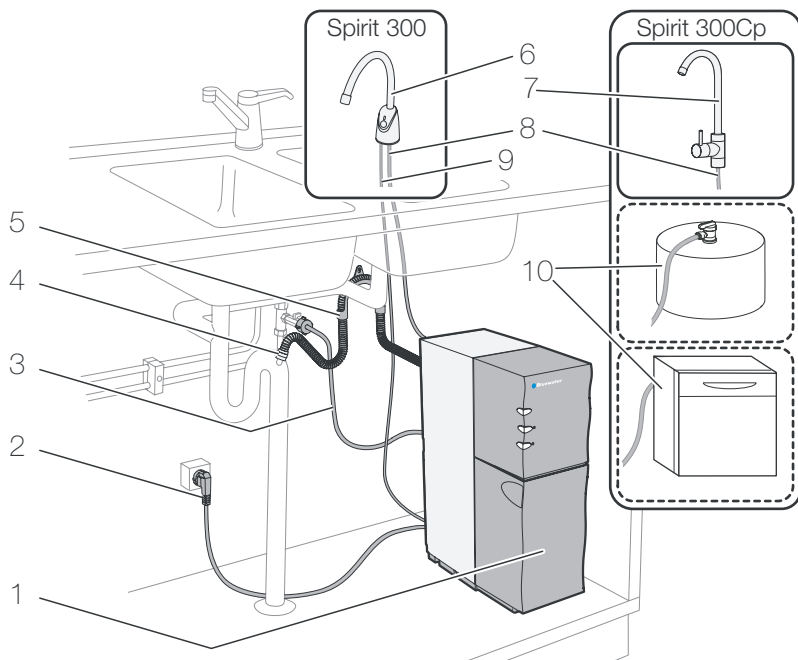


Figure 4. Panoramica del sistema, un esempio d'installazione di Spirit

Pos	Descrizione	Pos	Descrizione
1	Depuratore d'acqua	6	Rubinetto Bluewater
2	Cavo elettrico	7	Rubinetto adattato all'osmosi inversa
3	Flessibile acqua di mandata	8	Flessibile acqua pulita
4	Flessibile acqua di scarico, installato con un'intercapedine d'aria	9	Collegamento elettrico per rubinetto (Spirit 300)
5	Staffa per flessibile acqua di scarico	10	Serbatoio a pressione, elettrodomestico, ad es. lavastoviglie.

## Installazione



L'installazione deve rispettare i codici e le regolamentazioni idrauliche locali vigenti.



Collegare il depuratore solo al raccordo di entrata dell'acqua fredda. L'acqua deve essere di qualità soddisfacente e deve soddisfare i requisiti dell'acqua di mandata.



Per eseguire l'installazione del depuratore, si consiglia di contattare un professionista indicato da un rivenditore autorizzato Bluewater. Le istruzioni di installazione possono essere reperite nel Complete User manual e su [www.bluewatergroup.com](http://www.bluewatergroup.com).

## Sistema di protezione dell'impianto

Un sensore posizionato sul fondo del depuratore rileva le perdite d'acqua. Nel caso ci sia una perdita, l'erogazione dell'acqua di alimentazione viene interrotta. Il depuratore d'acqua non può essere azionato fino alla completa riparazione della perdita.

# Destinazione d'uso

Il depuratore d'acqua è destinato alla produzione di acqua purificata. Non utilizzarlo per altri scopi. Qualsiasi uso al di fuori dell'ambiente domestico e per scopi diversi dalla depurazione dell'acqua per uso domestico è considerato un uso improprio e invalida automaticamente la garanzia.

Spirit 300 a controllo elettronico è destinato a produrre la quantità di acqua normalmente necessaria per cucinare e dissetarsi in un'abitazione. Spirit 300Cp a controllo di pressione può essere collegato ad altri dispositivi, per es. una lavastoviglie.

## Produzione di acqua

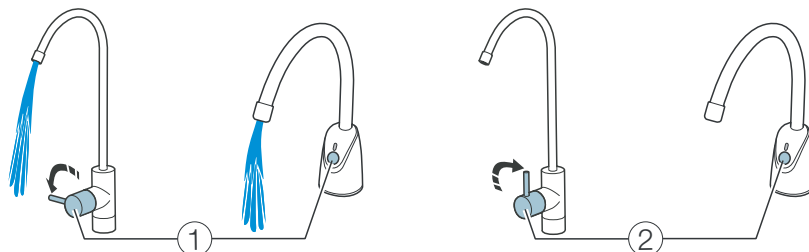


Figure 5. Produzione di acqua ON/OFF

## Lavaggio automatico

Si esegue il lavaggio automatico se una delle seguenti condizioni viene soddisfatta:

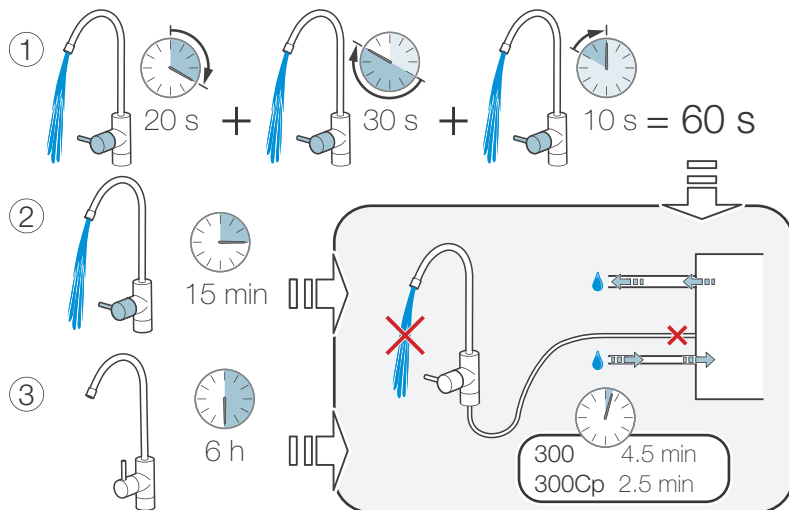


Figure 6. Lavaggio automatico

Pos	Descrizione
1	Lavaggio dopo aver scaricato l'acqua. I cicli di produzione più brevi di 60 secondi vengono assommati e il lavaggio si verifica quando il tempo di scarico totale supera 60 secondi.
2	Lavaggio dopo un funzionamento massimo di 15 minuti. Un nuovo ciclo di produzione può essere avviato subito dopo un lavaggio completo.
3	Depuratore d'acqua in modalità di standby. Spirit è collegato all'acqua e all'elettricità e sono passate oltre 6 ore dall'ultimo lavaggio.

# MANUTENZIONE

## Manutenzione giornaliera

Controllare le spie di indicazione

Fase	Esecuzione
1	Accertarsi che la spia Filter o la spia Service non siano accese o lampeggianti.
2	Accertarsi che la spia gialla sul rubinetto non sia accesa né lampeggiante (Spirit 300).

Pulire il depuratore d'acqua



Non utilizzare prodotti chimici per pulire la superficie: alcol, benzina, acidi organici e inorganici e basi forti (come il detergente per piatti concentrato) causano danni alla superficie.



Non utilizzare utensili duri o affilati per pulire il depuratore d'acqua.

Fase	Esecuzione
1	Pulire la superficie esterna con un panno morbido e umido e una soluzione a base di detergente delicato per rimuovere polvere, macchie e sporco.
2	Asciugare con un panno morbido e asciutto.

## Manutenzione regolare



La manutenzione regolare è importante per un funzionamento corretto e a lungo termine dell'apparecchio. Gli interventi di manutenzione possono essere eseguiti solo da personale abilitato e autorizzato.



Per le istruzioni sulla manutenzione, consultare il Complete User manual sul sito [www.bluewatergroup.com](http://www.bluewatergroup.com)

Frequenza	Descrizione
1 mese	Verificare i collegamenti Rimuovere la condensa dalla piastra di base
4-6 mesi	Sostituire i filtri. Sostituire i filtri entro 4-6 mesi oppure ogni 18.925 litri d'acqua depurata.
6 mesi*	Eliminare il calcare
1 anno	Testare l'acqua ogni anno. Non bere acqua non pulita. Contattare un rivenditore Bluewater.
3-5 anni*	Sostituire la membrana a osmosi inversa

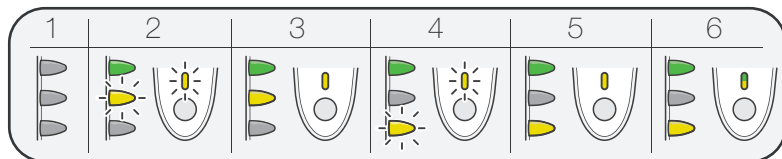
\*La frequenza dipende dalla qualità e dall'uso dell'acqua

# RISOLUZIONE DEI PROBLEMI

## Come risolvere problemi semplici



Per problemi più gravi, consultare il Complete User manual su [www.bluewatergroup.com](http://www.bluewatergroup.com)



IT

Sintomo	Causa	Soluzione
1 La spia ON non è accesa.	Il depuratore d'acqua non è collegato all'alimentazione.	Collegare il depuratore d'acqua all'alimentazione elettrica.
	Spirit 300: il cavo del rubinetto non è collegato.	Spirit 300: Verificare che il cavo del rubinetto e il connettore siano collegati.
2 La spia Filter lampeggia e la spia gialla sul rubinetto lampeggia.	Il filtro deve essere sostituito.	Consultare il Complete User manual.
3 La spia Filter è accesa e la spia gialla sul rubinetto è accesa.	Il depuratore d'acqua è in arresto. Il filtro deve essere sostituito.	Consultare il Complete User manual.
4 La spia Service lampeggia e la spia gialla sul rubinetto lampeggia.	La qualità dell'acqua è diminuita, ma è comunque potabile. Il depuratore d'acqua si arresta; vedere 5.	Contattare Bluewater per sostituire la membrana.
5 La spia Service è accesa e la spia gialla sul rubinetto è accesa.	Il depuratore d'acqua è in arresto. La sostituzione di un filtro ha causato l'ingresso di aria nell'impianto.	Scollegare il depuratore d'acqua dalla rete elettrica e ricollegarlo. Consentire al depuratore d'acqua di eseguire un lavaggio automatico.
	Il depuratore d'acqua è in arresto. La qualità dell'acqua pulita è troppo scarsa.	Contattare Bluewater per sostituire la membrana.
6 La spia Service è accesa e le spie gialla e verde sul rubinetto sono accese.	Il misuratore della qualità dell'acqua non funziona.	Contattare il proprio rivenditore Bluewater.
	La pressione di ingresso è inferiore a 1,5 bar durante il funzionamento.	Contattare il proprio rivenditore Bluewater.
	La griglia è bloccata.	Consultare il Complete User manual
Il depuratore d'acqua non si avvia.	Il filtro è bloccato.	Consultare il Complete User manual
	Il depuratore d'acqua fa scorrere l'acqua.	Attendere 5 minuti.
	Il sistema di protezione da troppopieno è attivo.	Scollegare il depuratore d'acqua dall'alimentazione elettrica e pulire la piastra di base. Se la protezione da troppopieno resta attiva, contattare il rivenditore Bluewater di fiducia.
Spirit 300: la spia del rubinetto non è accesa.	Spirit 300: il cavo del rubinetto non è collegato.	Spirit 300: Verificare che il cavo del rubinetto e il connettore siano collegati.
	C'è un problema con il rubinetto elettronico.	Contattare il proprio rivenditore Bluewater.
La portata del rubinetto dell'acqua pulita è bassa.	Il cavo del rubinetto non è collegato.	Verificare che il cavo del rubinetto e il connettore siano collegati.
	Il depuratore d'acqua deve essere pulito dal calcare.	Consultare il Complete User manual.
L'acqua non scorre dal rubinetto dell'acqua pulita.	Il flessibile dell'acqua pulita è in tensione o ostruito.	Accertarsi che il flessibile dell'acqua pulita possa muoversi liberamente.
	La valvola a saracinesca dell'acqua di mandata è chiusa.	Aprire la valvola a saracinesca dell'acqua di mandata.
L'acqua ha un cattivo odore.	Crescita microbica nell'acqua dovuta al mancato uso del depuratore per una settimana o più.	Consultare il Complete User manual

# Inhalt

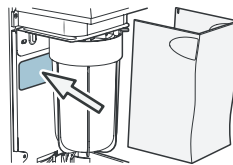
SICHERHEIT.....	49
Sicherheitsvorschriften.....	49
Sicherheitsinformationen.....	49
PRODUKTÜBERSICHT.....	50
Spirit Aussen.....	50
Innenansicht von Spirit und Ersatzteile.....	51
Technische Daten.....	51
Produktleistung.....	52
SYSTEMÜBERSICHT.....	53
Systembeschreibung.....	53
Montage.....	53
Auslaufschutzsystem.....	53
Verwendungszweck.....	54
Reinwassererzeugung.....	54
WARTUNG.....	55
Tägliche Wartung.....	55
Regelmäßige Wartung.....	55
FEHLERBEHEBUNG.....	56
Lösen einfacher Probleme.....	56

## Kundendienst

Konsultieren Sie "Fehlerbehebung" zur Lösung kleiner Probleme, bevor Sie den Kundendienst rufen. Wenn Sie eine externe Kundendienstunterstützung benötigen, kann dies mit Kosten verbunden sein.

Vergewissern Sie sich, dass Sie die folgenden Daten bereit halten, wenn Sie sich telefonisch mit Bluewater in Verbindung setzen (die Daten finden Sie auf dem Typenschild hinter dem Filter).

- Modell
- Produktnummer
- Seriennummer



## Umweltinformation



80 % der Wasserreinerkomponenten und die Verpackung sind mit einem Hinweis gekennzeichnet, der Ihnen die Rückführung zur Wiederverwertung bzw. umweltgerechte Entsorgung erleichtert. Der Wassereiner ist effizienter, wenn er für längere Zeiträume für die Wasseraufbereitung eingesetzt wird. Beispiel: Füllen Sie nicht ein Glas mit Wasser. Füllen Sie stattdessen eine Karaffe mit Wasser.



Mit diesem Symbol gekennzeichnete Geräte müssen bei der dafür vorgesehenen örtlichen Annahmestelle zur Entsorgung von Elektro- und Elektronikgeräten abgegeben werden. Dieses Produkt darf nicht im Hausmüll entsorgt werden.



# SICHERHEIT

## Sicherheitsvorschriften

Lesen Sie die Sicherheitshinweise bitte sorgfältig durch, bevor Sie das Gerät installieren oder bedienen. Halten Sie sich an die in dieser Bedienungsanleitung aufgeführten Anweisungen, um Verletzungen oder Schäden am Gerät zu vermeiden. In der Bedienungsanleitung finden sich die Kennzeichnungen „ACHTUNG“ und „HINWEIS“, die für einen sicheren Betrieb des Gerätes sorgen sollen.



ACHTUNG bezieht sich auf Situationen, die Verletzungen oder Schäden am Gerät zur Folge haben können. Halten Sie sich an die Anweisungen und setzen Sie den Betrieb nicht fort, bis alle Probleme behoben wurden.



Ein HINWEIS kennzeichnet Informationen, die für eine fehlerfreie und optimale Funktion des Wasserreinigers wichtig sind.

## Sicherheitsinformationen



Trinken Sie das Wasser nicht, wenn die Service-Leuchte anzeigt, dass das Wasser nicht rein ist. Bewahren Sie das Wasser in rostfreien Behältern auf.



Das Gerät darf von Kindern über 8 Jahren verwendet werden. Personen mit eingeschränkten körperlichen, sensorischen oder geistigen Fähigkeiten bzw. Personen ohne ausreichende Erfahrung und Kenntnis dürfen das Gerät nur unter Aufsicht benutzen oder wenn sie im Vorfeld eine Einweisung in den sicheren Gebrauch des Geräts erhalten haben und die mit der Verwendung verbundenen Gefahren kennen.



Reparieren oder modifizieren Sie den Wasserreiniger nicht. Dies kann zu fehlerhaftem Betrieb und zu Verletzungen und Schäden führen, die von der Garantie nicht abgedeckt sind.



Spirit ist ein Umkehrosmose-System. Es enthält eine austauschbare Membran, die sehr wichtig ist, um die vollständig gelösten Feststoffe (TDS) effektiv zu reduzieren. Wechseln Sie diese Membran regelmäßig



Am Wasserreiniger durchzuführende Instandhaltungs- und Reparaturmaßnahmen dürfen ausschließlich von zugelassenen Bluewater-Mitarbeitern vorgenommen werden. Verwenden Sie immer nur Original-Ersatzkartuschen und -teile von Bluewater. Den Ersatzteilkatalog sowie Kontaktinformationen zum Kauf finden Sie auf [www.bluewatergroup.com](http://www.bluewatergroup.com).



Das zu reinigende Wasser muß die Anforderungen aus dem Abschnitt „Technische Daten“ erfüllen. Überprüfen Sie jedes Jahr die Wasserqualität. Trinken Sie das Wasser nicht, wenn es unrein ist bzw. unangenehm riecht.



Die Installation muss die örtlichen Vorschriften und Richtlinien für Wasser- bzw. Sanitäranlagen erfüllen.



Schließen Sie den Wasserreiniger an eine geerdete Stromversorgung (Steckdose) an. Wählen Sie eine Steckdose, die auch nach der Installation leicht zugänglich ist. Ein Festanschluss des Systems darf nur von einer zugelassenen Elektrofachkraft vorgenommen werden. Im System muss ein Sicherheitsschalter installiert sein. Eine falsche Installation kann zu Schäden oder zu Gefahren beim Gebrauch des Wassereinigers führen.



Verwenden Sie das Stromkabel nicht, wenn es sichtbare Anzeichen von Beschädigungen aufweist. Wenn das Stromkabel beschädigt ist, muss es durch einen qualifizierte Elektrofachkraft ersetzt werden, um Gefahren zu vermeiden.



Wenn der Wasserreiniger für länger als eine Woche vom Wasser- und Stromanschluss getrennt wird, lagern Sie ihn gemäß den Anweisungen im Kapitel „Lagerung“ im „Complete User manual“.

# PRODUKTÜBERSICHT

Modell	Spirit 300	Elektronisch geregelt	Bluewater Wasserhahn
	Spirit 300Cp	Druckgesteuert, kompatibel mit Haushaltsgeräten	Wasserhahn für Umkehrosmosegeräte

## Spirit Aussen

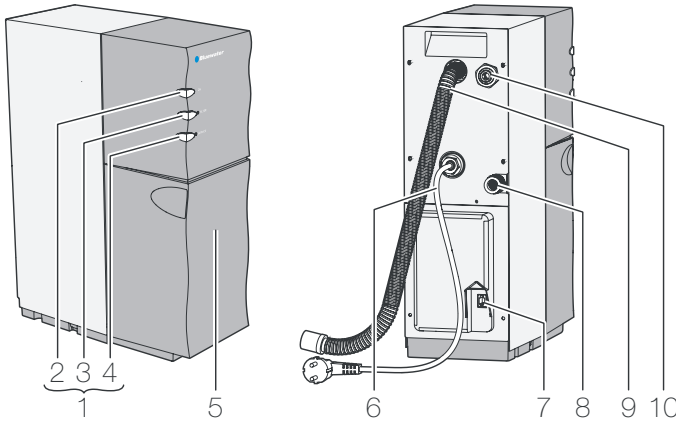


Figure 1. Spirit Aussen

Pos	Beschreibung	Pos	Beschreibung
1	Bedienfeld	6	Stromkabel
2	On-Licht	7	Stromanschluss für Wasserhahn (Spirit 300)
3	Filter-Licht	8	Speisewasseranschluss mit Gittersieb
4	Service-Licht	9	Abwasserschlauch
5	Frontseite	10	Reinwasseranschluss

## Bedienfeld

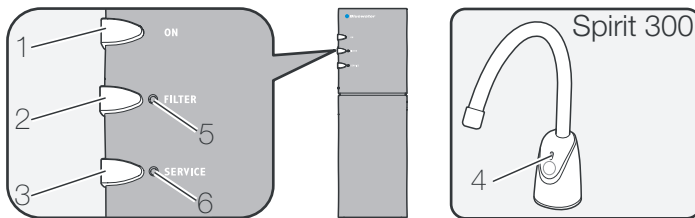


Figure 2. Bedienfeld

Pos	Licht	Beschreibung	Pos	Beschreibung
1	ON	Der Wasserreiniger ist angeschlossen und funktioniert ordnungsgemäß.	5	FILTER-Taste
2	FILTER-Licht	Blinkt An Der Wasserreiniger ist in Betrieb. Der Filter muss ausgewechselt werden. Der Wasserreiniger hat den Betrieb gestoppt. Der Filter muss ausgewechselt werden.	6	SERVICE-Taste
3	SERVICE-Licht	Blinkt An Reduzierte Wasserqualität. Der Wasserreiniger hat den Betrieb gestoppt, die Wasserqualität ist reduziert.		
4	Wasserhahnleuchten Spirit 300 Spirit 300Cp N/A	Grün Anzeige für gute Wasserqualität (dies kann bis zu 120 s dauern). Gelb Blinkt: Es ist ein Fehler aufgetreten. Sehen Sie auf dem Bedienfeld nach. Gelb On: er Wasserreiniger hat den Betrieb gestoppt, die Wasserqualität ist vermindert.		

# Innenansicht von Spirit und Ersatzteile

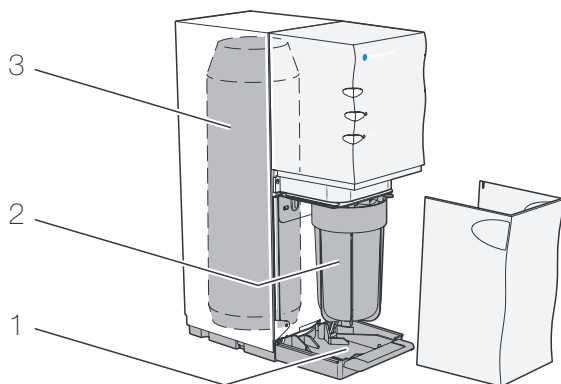


Figure 3. Spirit Innen

Pos	Beschreibung	Art.-Nr.	Pos	Beschreibung	Art.-Nr.
1	Bodenplatte		3	Umkehrosiose-Membran	
				Membran-Servicepaket, Typ HR (High Rejection/Hohe Abgabe)	155007301-SP
				Membran-Servicepaket, Typ HF (High Flow/ Hoher Durchfluss)	150759380-SP
2	Vorfilter, Karbonfilter, granuliert	919240004			

## Technische Daten



Detaillierte technische Daten finden Sie auf [www.bluewatergroup.com](http://www.bluewatergroup.com)

Parameter/Modell	Spirit 300	Spirit 300Cp
Größe B x T x H [mm (*)]	150x365x462 (5.9x14.3x18.2)	150x365x462 (5.9x14.3x18.2)
Gewicht [kg (lbs)]	15 (33)	15 (33)
Stromversorgung, geerdet Stromversorgung, ungeerdet US	230V 50-60 Hz, 10A 120V 60Hz, 10A	230V 50-60 Hz, 10A 120V 60Hz, 10A
Leistung (US)	350W (3Amps)	350W (3Amps)
Durchflussrate gereinigtes Wasser	3380 Liter/Tag (893 gal)	h2520 Liter/Tag (666 gal)
Geräuschpegel (Untertisch-Installation)	< 60 dB(A)	< 60 dB(A)
Wasserhahn mit Anzeigeleuchte für die Wasserqualität	✓	N/A



Nicht mit Wasser verwenden, das mikrobiologisch unsicher oder dessen Qualität unbekannt ist, ohne das Wasser vor oder nach dem System zu desinfizieren.



Nur an den Kaltwasserzulauf anschließen. Die Temperaturgrenzwerte finden Sie in der Tabelle "Anforderungen an das Speisewasser für den Wasserreiniger".

## Anforderungen an das Speisewasser für den Wasserreiniger

Beschreibung	Spirit 300	Spirit 300Cp
Druck [fließend; bar (psi)]	1.5-10 (22-145)	1.5-10 (22-145)
Wasserdurchfluss [l/min (gal/min)]	> 6 (1.6)	> 6 (1.6)
TDS (Total dissolved solids) [mg/l (ppm)]	< 1200	< 1200
Leitfähigkeit [ $\mu$ S/cm, 25 °C (77 °F)]	< 1600	< 1600
Temperatur [°C (°F)]	2-35 (36-95)	2-35 (36-95)
Härte [°dH (grains/gallon)]	< 10 (< 10.4)	<10 (<10.4)
Eisen Fe <sup>II</sup> /Fe <sup>III</sup> [mg/l (ppm)]	< 0.5/< 0.3	< 0.5/< 0.3
Trübung [FNU]	< 0.5	< 0.5

## Produktleistung



Das Qualitätssiegel WQA Gold Seal ist der Nachweis, dass der Bluewater-Wasserreiniger unabhängig getestet und gemäß NSF/ANSI 58 und CSA Standard B483.1 zertifiziert wurde. WQA zertifiziert die Produktleistung und überprüft die Fertigungsanlagen und -verfahren, um die Einheitlichkeit und Integrität des Produkts sicherzustellen.

Der Wasserreiniger Bluewater Spirit wurde gemäß NSF/ANSI 58 auf die Reduzierung vollständig gelöster Feststoffe (TDS) getestet.

Die TDS-Konzentration im Wasser, das in das System eintritt, wurde auf eine Konzentration verringert, die kleiner oder gleich dem zulässigen Grenzwert ist, der gemäß NSF/ANSI 58 für das Wasser gilt, das das System verlässt. Weitere Details finden Sie im Leistungsdatenblatt auf [www.bluewatergroup.com](http://www.bluewatergroup.com).

# SYSTEMÜBERSICHT

## Systembeschreibung

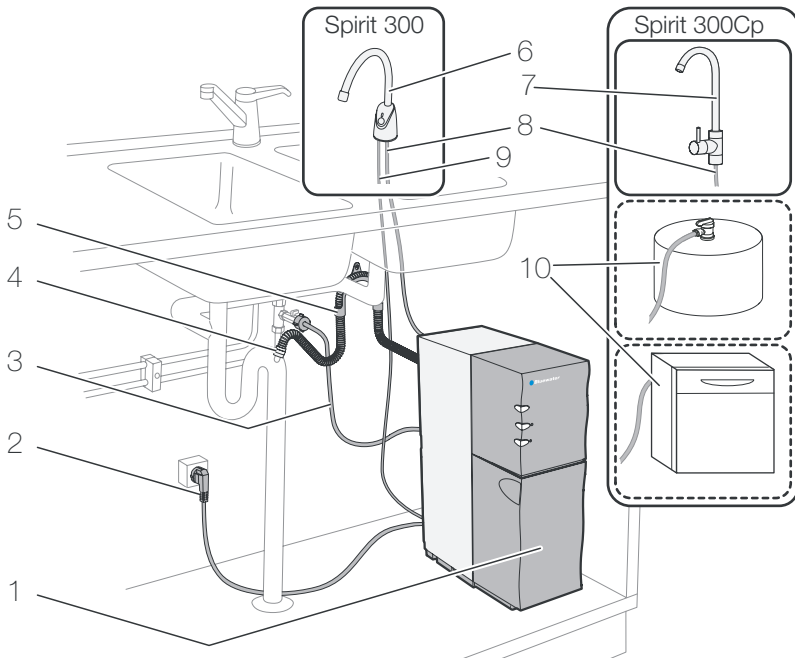


Figure 4. Systemübersicht, Beispiel einer Spirit-Installation

Pos	Beschreibung	Pos	Beschreibung
1	Wasserreiniger	6	Bluewater Wasserhahn
2	Stromkabel	7	Wasserhahn für Umkehrosmosegeräte
3	Speisewasserschlauch	8	Reinwasserschlauch
4	Abwasserschlauch, installiert mit Luftspalt	9	Wasserhahn-Stromanschluss (Spirit 300)
5	Halter für Abwasserschlauch	10	Druckbehälter, kompatibel mit Haushaltsgeräten (z. B. Geschirrspüler).

## Montage



Die Installation muss die örtlichen Vorschriften und Richtlinien für Wasser- bzw. Sanitär-anlagen erfüllen.



Schließen Sie den Wasserreiniger nur an den Kaltwasserzulauf an. Die Qualität des Wassers muss die Anforderungen an Speisewasser erfüllen.



Wir empfehlen, den Wasserreiniger von einer Fachkraft montieren zu lassen, die von einem autorisierten Bluewater-Händler empfohlen wurde.

Anweisungen zur Installation finden Sie im „Complete User manual“ und auf [www.bluewatergroup.com](http://www.bluewatergroup.com).

## Auslaufschutzsystem

Ein Sensor an der Unterseite des Wasserreinigers zeigt Wasserleckagen an. Wird ein Leck entdeckt, wird die Speisewasserzufuhr unterbrochen. In diesem Fall kann der Wasserreiniger erst wieder gestartet werden, wenn das Leck repariert wurde.

# Verwendungszweck

Der Wasserreiniger ist für die Reinigung von Wasser vorgesehen. Verwenden Sie ihn niemals für einen anderen als den vorgesehenen Zweck. Jegliche Verwendung, die von einer Nutzung innerhalb des Wohnbereichs und der Reinigung von Wasser für den Hausgebrauch abweicht, gilt als unsachgemäße Verwendung und hat automatisch das Erlöschen der Garantie für Ihren Wasserreiniger zur Folge.

Der elektronisch geregelte Spirit 300 ist für die Reinigung von Wasser vorgesehen, das normalerweise zum Kochen und Trinken im Haushalt benötigt wird. Der druckgeregelte Spirit 300Cp kann an andere Geräte, wie Geschirrspüler, angeschlossen werden.

## Reinwassererzeugung

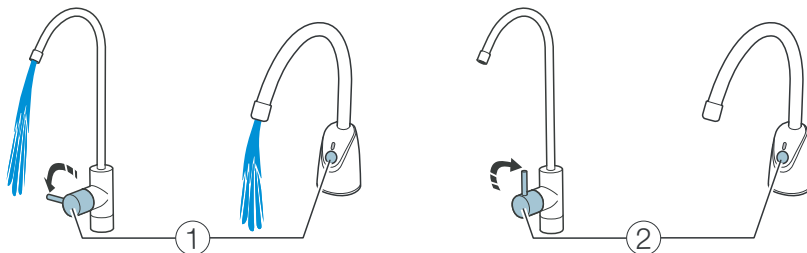


Figure 5. Reinwassererzeugung an/aus

## Automatisches Spülen

Wenn eine der folgenden Bedingungen erfüllt ist, wird eine automatische Spülung durchgeführt:

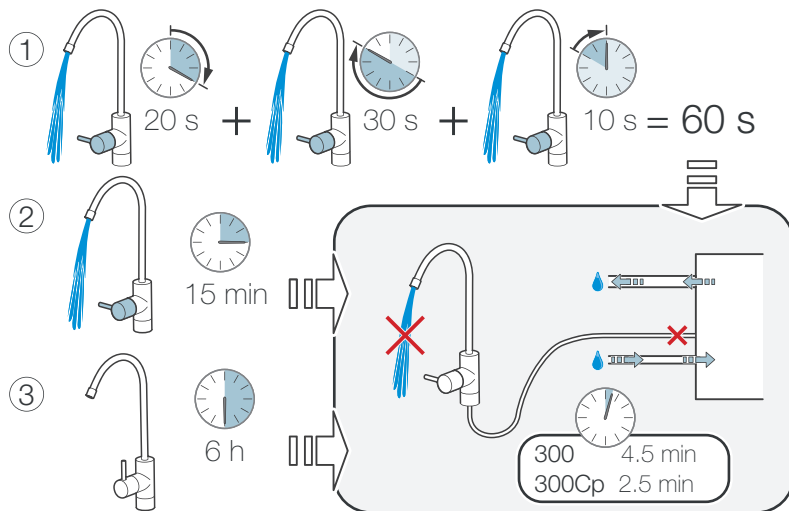


Figure 6. Automatisches Spülen

Pos	Beschreibung
1	Spülen nach Wasserentnahme. Wasserentnahmekyklen unter 60 Sekunden werden zusammenaddiert. Wenn eine Gesamt-Wasserentnahmezeit von 60 Sekunden überschritten wurde, findet eine automatische Spülung statt.
2	Spülen Sie nach einer maximalen Betriebszeit von 15 Minuten. Nach einem abgeschlossenen Spülvorgang kann sofort der nächste Wasserentnahmekyklus gestartet werden.
3	Wasserreiniger im Ruhezustand (Standby-Modus). Der Spirit ist an die Strom- und Wasserversorgung angeschlossen und seit dem letzten Spülen sind mehr als sechs Stunden vergangen.

# WARTUNG

## Tägliche Wartung

Überprüfen Sie die Anzeigeleuchten

Schritt	Maßnahme
1	Stellen Sie sicher, dass die Filter- oder die Serviceleuchte nicht an ist oder blinkt.
2	Stellen Sie sicher, dass die Wasserhahnleuchte nicht an ist oder blinkt. (Spirit 300).

## Reinigung des Wasserreinigers

DE



Reinigen Sie die Oberfläche niemals mit Chemikalien. Alkohol, Benzin, organische und anorganische Säuren, starke basische Chemikalien (z. B. konzentrierter Geschirrrreiniger) schädigen die Oberfläche.



Verwenden Sie zur Reinigung des Wasserreinigers keine harten oder scharfkantigen Werkzeuge.

Schritt	Maßnahme
1	Reinigen Sie die Oberfläche an der Außenseite mit einem weichen, feuchten Lappen und einer milden Seifenlösung, um Staub, Schmutz und Flecken zu entfernen.
2	Wischen Sie das Gerät mit einem trockenen Lappen trocken.

## Regelmäßige Wartung



Eine regelmäßige Wartung ist wichtig, um eine ordnungsgemäße Funktion und eine lange Lebensdauer zu gewährleisten. Die Wartung darf ausschließlich von geschulten und autorisierten Servicetechnikern durchgeführt werden.



Hinweise zur Durchführung von Wartungsarbeiten finden Sie im „Complete User manual“ auf [www.bluewatergroup.com](http://www.bluewatergroup.com).

Häufigkeit	Beschreibung
1 Monat	Überprüfen Sie die Anschlüsse Trocknen Sie, Kondenswasser von der Bodenplatte
4 - 6 Monate	Wechseln Sie die Filter. Tauschen Sie die Filter nach vier bis sechs Monaten oder 18.925 l (5.000 gal) gereinigtem Wasser aus, je nachdem, was zuerst eintritt.
6 Monate*	Entkalken
1 Jahr	Überprüfen Sie jedes Jahr die Wasserqualität. Trinken Sie das Wasser nicht, wenn es nicht sauber ist. Setzen Sie sich mit Ihren Bluewater-Händler in Verbindung.
3 - 5 Jahre*	Wechseln Sie die Umkehrosmose-Membran

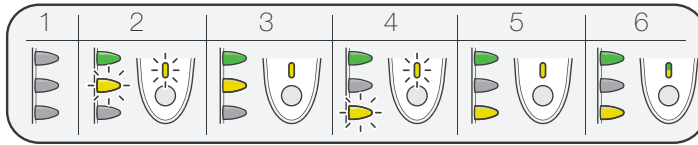
\*Häufigkeit hängt von der Wasserqualität und der Verwendung ab

# FEHLERBEHEBUNG

## Lösen einfacher Probleme



Unterstützung bei schwerwiegenden Problemen finden Sie im „Complete User manual“ auf [www.bluewatergroup.com](http://www.bluewatergroup.com)



Symptom	Ursache	Lösung
1 Das ON-Licht ist nicht an.	Der Wasserreiniger hat keinen Strom.	Schließen Sie den Wasserreiniger an die Stromversorgung an.
	Spirit 300: Das Wasserhahnkabel ist nicht angeschlossen.	Spirit 300: Stellen Sie sicher, dass das Wasserhahnkabel und der Stecker angeschlossen sind.
2 Das Filter-Licht und die gelbe Wasserhahnleuchte blinken.	Der Filter muss ausgewechselt werden.	Siehe „Complete User manual“.
3 Das Filter-Licht und die gelbe Wasserhahnleuchte sind an.	Der Wasserreiniger hat den Betrieb gestoppt. Der Filter muss ausgewechselt werden.	Siehe „Complete User manual“.
4 Das Service-Licht und die gelbe Wasserhahnleuchte blinken.	Die Qualität des Wassers ist etwas verringert, es kann aber weiterhin bedenkenlos getrunken werden. Der Wasserreiniger stoppt bald den Betrieb, siehe 5.	Setzen Sie sich mit Ihrem Bluewater-Händler in Verbindung, um die Membran auszuwechseln.
5 Das Service-Licht und die gelbe Wasserhahnleuchte sind an.	Der Wasserreiniger hat den Betrieb gestoppt. Durch einen Filterwechsel ist Luft in das System gelangt.	Trennen Sie den Wasserreiniger von der Stromversorgung. Schließen Sie ihn wieder an. Lassen Sie den Wasserreiniger eine automatische Spülung durchführen.
	Der Wasserreiniger hat den Betrieb gestoppt. Die Qualität des Reinwassers ist zu gering geworden.	Setzen Sie sich mit Ihrem Bluewater-Händler in Verbindung, um die Membran auszuwechseln.
6 Das Service-Licht und die gelbe sowie die grüne Wasserhahnleuchte sind an.  Der Wasserreiniger macht Geräusche, weil der Wasserdruck zu niedrig ist.	Das Messgerät für die Wasserqualität funktioniert nicht.	Bitte kontaktieren Sie Ihren Bluewater-Händler.
	Der Eingangsdruk im Betrieb liegt bei unter 1,5 bar.	Bitte kontaktieren Sie Ihren Bluewater-Händler.
	Das Gittersieb ist verstopft. Der Filter ist verstopft.	Siehe „Complete User manual“ Siehe „Complete User manual“
Der Wasserreiniger startet nicht.	Der Wasserreiniger spült Wasser.	Warten Sie 5 Minuten.
	Das Leckageschutzsystem ist aktiviert.	Trennen Sie den Wasserreiniger von der Stromversorgung und reinigen Sie die Bodenplatte. Wenn der Leckageschutzsystem erneut aktiviert wird, setzen Sie sich mit Ihrem Bluewater-Händler in Verbindung.
	Spirit 300: Das Wasserhahnkabel ist nicht angeschlossen.	Spirit 300: Stellen Sie sicher, dass das Wasserhahnkabel und der Stecker angeschlossen sind.
Spirit 300: Die Leuchte des Wasserhahns leuchtet nicht.	Am elektronischen Wasserhahn liegt ein Problem vor. Das Wasserhahnkabel ist nicht angeschlossen.	Bitte kontaktieren Sie Ihren Bluewater-Händler. Stellen Sie sicher, dass das Wasserhahnkabel und der Stecker angeschlossen sind.
Die Durchflussrate des Reinwasserhahns ist zu niedrig.	Der Wasserreiniger muss entkalkt werden. Der Reinwasserschlauch ist gespannt oder eingeklemmt.	Siehe „Complete User manual“. Stellen Sie sicher, dass der Reinwasserschlauch frei beweglich ist.
Es fließt kein Wasser aus dem Reinwasserhahn.	Das Speisewasser-Absperrventil ist geschlossen.	Öffnen Sie das Speisewasser-Absperrventil.
Das Wasser riecht unangenehm.	Wachstum von Mikroorganismen, da der Wasserreiniger für eine Woche oder länger nicht benutzt wurde.	Siehe „Complete User manual“



# Spis treści

BEZPIECZEŃSTWO.....	58
Instrukcje dotyczące bezpieczeństwa.....	58
Informacje dotyczące bezpieczeństwa.....	58
SCHEMAT PRODUKTU.....	59
Spiral – widok zewnętrzny.....	59
Spiral – widok wewnętrzny i elementy zamienne.....	60
Dane techniczne.....	60
Efektywność produktu.....	61
SCHEMAT SYSTEMU.....	62
Opis systemu.....	62
Montaż.....	62
System ochrony przed przeciekami.....	62
Przeznaczenie.....	63
Czyszczenie wody.....	63
KONSERWACJA.....	64
Konservacja codzienna.....	64
Regularna konserwacja.....	64
ROZWIĄZYWANIE PROBLEMÓW.....	65
Rozwiązywanie prostych problemów.....	65

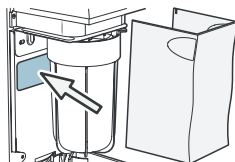
PL

## Serwis

Przed wezwaniem serwisu patrz sekcja "Rozwiązywanie problemów", aby rozwiązać drobne problemy. Jeśli potrzebujesz wsparcia zewnętrznego serwisu, może to kosztować.

Przed rozmową z Bluewater upewnij się, że masz dostępne następujące dane (znajdujące się na tabliczce znamionowej umieszczonej za filtrem):

- Model
- Numer produktu
- Numer seryjny



## Informacje dotyczące środowiska naturalnego



80% elementów urządzenia do oczyszczania wody oraz jego opakowania posiada etykietę informującą o sposobie recyklingu oraz wyrzucania. Urządzenie do oczyszczania wody jest bardziej skuteczne, jeżeli oczyszcza wodę przed dłuższy czas. Przykład: nie napełniaj szklanki wodą. Zamiast tego, napełnij cały dzbanek.



Urządzenia noszące ten symbol musi być oddane w wyznaczonym punkcie odbioru sprzętu elektrycznego i elektronicznego do utylizacji.  
Produkt ten nie może być wyrzucany razem ze zwykłymi odpadami domowymi.

# BEZPIECZEŃSTWO

## Instrukcje dotyczące bezpieczeństwa

z którymi należy zapoznać się przed montażem i obsługą urządzenia. Aby zapobiec urazom lub uszkodzeniu urządzenia, należy przestrzegać wytycznych podanych w niniejszej instrukcji. Niniejsza instrukcja zawiera PRZESTROGI i UWAGI dotyczące bezpiecznej obsługi urządzenia.



**PRZESTROGA** oznacza warunki, które mogą spowodować wypadki lub uszkodzenie sprzętu. Należy przestrzegać instrukcji i kontynuować działania dopiero po spełnieniu odpowiednich warunków.



**Uwaga** oznacza ważne informacje umożliwiające bezproblemową i optymalną pracę urządzenia do oczyszczania wody.

## Informacje dotyczące bezpieczeństwa



Nie wolno pić wody, jeżeli kontrolka serwisowa pokazuje, że nie jest czysta. Wodę należy przechowywać w zbiornikach, które są odporne na korozję.



Urządzenie może być używane przez dzieci powyżej 8 roku życia. Urządzenie może być również używane przez osoby o ograniczonej sprawności fizycznej, zmysłowej i umysłowej oraz nieposiadające odpowiedniego doświadczenia ani wiedzy po zapewnieniu im odpowiedniego nadzoru lub instrukcji bezpiecznej obsługi oraz pod warunkiem, że rozumieją związane z tym ryzyko.



Nie wolno naprawiać lub modyfikować elementów urządzenia do oczyszczania wody. Może to powodować nieprawidłową jego pracę oraz prowadzić do wypadków lub uszkodzeń nie objętych gwarancją.



Spirit jest systemem odwróconej osmozy. Zawiera wymienną membranę, która ma znaczenie w skutecznym obniżeniu całkowitej ilości substancji stałych (TDS). Membranę należy regularnie wymieniać.



Serwis i naprawa urządzenia do oczyszczania wody mogą być przeprowadzane wyłącznie przez upoważniony personel Bluewater. Należy używać wyłącznie oryginalnych wkładów i części zamiennych firmy Bluewater. Katalog części zamiennych oraz informacje dotyczące zakupu znajdują się na stronie internetowej [www.bluewatergroup.com](http://www.bluewatergroup.com).



Woda przeznaczona do oczyszczania musi spełniać wymagania podane w rozdziale „Dane techniczne”. Sprawdzać wodę raz w roku. Jeżeli woda nie jest czysta, pachnie lub smakuje źle – nie wolno jej pić.



Muszą być spełnione obowiązujące przepisy i regulacje dotyczące instalacji wodociągowej.



Urządzenie oczyszczające wodę należy podłączyć do uziemionego źródła zasilania elektrycznego. Należy użyć wtyczki, która po instalacji będzie łatwo dostępna. Okablowanie stałe może wykonywać tylko uprawniony elektryk. W systemie należy zainstalować bezpiecznik. Nieprawidłowa instalacja może prowadzić do powstania uszkodzeń lub niebezpieczeństwa użytkownika.



Nie wolno używać przewodu zasilającego, jeżeli są na nim widoczne oznaki uszkodzenia. Jeżeli przewód zasilający jest uszkodzony, musi zostać wymieniony przez wykwalifikowanego elektryka.



Jeżeli urządzenie do oczyszczania wody będzie odłączone od wody lub prądu przez więcej niż tydzień, należy je odłożyć do przechowywania zgodnie z opisem znajdującym się w Complete User manual „Przechowywanie”.

# SCHEMAT PRODUKTU

Model	Spirit 300	Sterowany elektronicznie	Kran Bluewater
	Spirit 300Cp	Urządzenie ciśnieniowe, kompatybilne ze sprzętem AGD.	Kran przystosowany do odwróconej osmozy

## Spirit – widok zewnętrzny

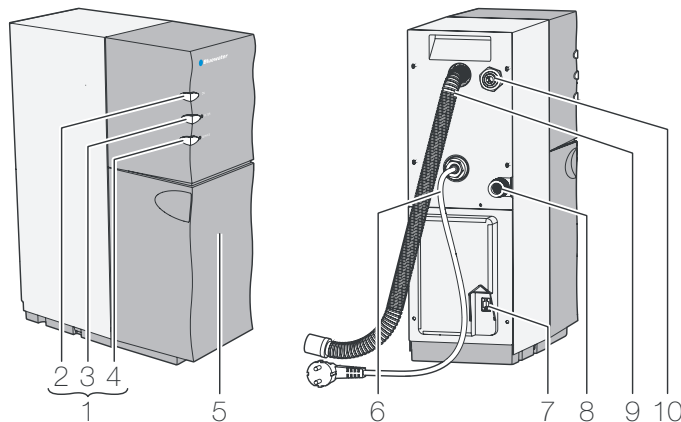


Figure 1. Spirit – widok zewnętrzny

Poz.	Opis	Poz.	Opis
1	Panel kontrolny	6	Przewód zasilania
2	Kontrolka ON	7	Złącze elektryczne dla kranu (Spirit 300)
3	Kontrolka Filter	8	Przylącze wody zasilającej z filtrem siatkowym
4	Kontrolka Service	9	Wąż spustowy
5	Pokrywa przednia	10	Przylącze wody czystej

## Panel kontrolny

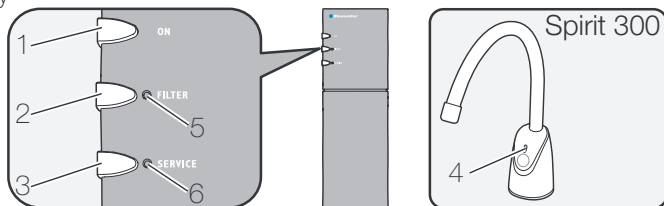


Figure 2. Panel kontrolny

Poz.	Kontrolka	Opis	Poz.	Opis
1	ON	Urządzenie do oczyszczania wody jest podłączone i pracuje normalnie.	5	Przycisk FILTER
2	Kontrolka FILTER	Miga: Urządzenie do oczyszczania wody pracuje. Filtr musi zostać wymieniony. Wi.: Urządzenie do oczyszczania wody zatrzymało się. Filtr musi zostać wymieniony.	6	Przycisk SERVICE
3	Kontrolka SERVICE	Miga: Gorsza jakość wody. Wi.: Urządzenie do oczyszczania wody zatrzymało się, gorsza jakość wody.		
4	Kontrolki kranu Spirit 300 Spirit 300Cp nie dot.	Zielona: Dobra jakość wody (może to trwać do 120 sekund). Żółta: Miga: Coś jest nie tak. Patrz panel kontrolny. Żółta: Wi.: Urządzenie do oczyszczania wody zatrzymało się, gorsza jakość wody.		

# Spirit – widok wewnętrzny i elementy zamienne

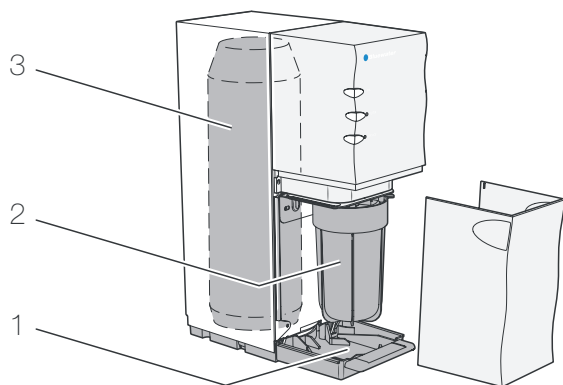


Figure 3. Spirit – widok wewnętrzny

Poz.	Opis	Nr artykułu	Poz.	Opis	Nr artykułu
1	Płyta podstawy		3	Membrana do odwróconej osmozy	
				Zestaw serwisowy membrany, typ HR (wysoki wskaźnik nieprzepuszczalności)	155007301-SP
				Zestaw serwisowy membrany, typ HF (szybki przepływ)	150759380-SP
2	Filtr wstępny, filtr węglowy, granulowany	919240004			

## Dane techniczne



Bardziej szczegółowe dane techniczne można znaleźć na stronie [www.bluewatergroup.com](http://www.bluewatergroup.com)

Parametr/model	Spirit 300	Spirit 300Cp
Wymiary szer. x gł. x wys. [mm (*)]	150x365x462 (5.9x14.3x18.2)	150x365x462 (5.9x14.3x18.2)
Masa [kg (lbs)]	15 (33)	15 (33)
Zasilanie elektryczne, uziemione Zasilanie elektryczne, uziemione US	230V 50-60 Hz, 10A 120V 60Hz, 10A	230V 50-60 Hz, 10A 120V 60Hz, 10A
Moc (US)	350W (3Amps)	350W (3Amps)
Przepływ oczyszczonej wody	893 gal/dzień	666 gal/dzień
Poziom hałasu (urz. zainstalowane w szafce pod zlewem)	< 60 dB(A)	< 60 dB(A)
Kran z kontrolką jakości wody	✓	N/A



Nie stosować do wody, która jest zanieczyszczona mikrobiologicznie lub jej jakość jest nieznaną bez wystarczającego odkażenia przed lub po zastosowaniu systemu.



Podłączać tylko do dopływu zimnej wody zasilającej. Wartości graniczne temperatury znajdują się w tabeli "Wymagania dotyczące wody zasilającej"

## Wymagania dotyczące wody zasilającej

Opis	Spirit 300	Spirit 300Cp
Ciśnienie [przepływowe bar (psi)]	1.5-10 (22-145)	1.5-10 (22-145)
Przepływ wody [l/min (gal/min)]	> 6 (1.6)	> 6 (1.6)
TDS (rozpuszczane ciała stałe) [mg/l (ppm)]	< 1200	< 1200
Przewodność [ $\mu$ S/cm, 25°C (77°F)]	< 1600	< 1600
Temperatura [°C (°F)]	2-35 (36-95)	2-35 (36-95)
Twardość [°dH (grains/gallon)]	< 10 (< 10.4)	<10 (<10.4)
Żelazo Fe <sup>II</sup> /Fe <sup>III</sup> [mg/l (ppm)]	< 0.5/< 0.3	< 0.5/< 0.3
Mętność [FNU]	< 0.5	< 0.5

## Efektywność produktu

PL



Złota Pieczęć Stowarzyszenia WQA jest dowodem na to, że urządzenie do oczyszczania wody zostało poddane niezależnym testom i posiada certyfikat zgodności z normą NSF/ANSI 58 oraz CSA Standard B483.1. Stowarzyszenie WQA certyfikuje efektywność produktu oraz ocenia miejsce produkcji i procedury, aby zapewnić spójność i integralność produktów.

Urządzenie do oczyszczania wody Bluewater Spirit zostało poddane testom według normy NSF/ANSI 58 pod kątem obniżenia całkowitej ilości substancji stałych (TDS).

Stężenie TDS w wodzie wprowadzanej do systemu zostało obniżone do mniejszego lub równego dopuszczalnej granicy dla wody opuszczającej układ, zgodnie z normą NSF / ANSI 58.

Arkusze danych dotyczących efektywności znajdują się na stronie internetowej [www.bluewatergroup.com](http://www.bluewatergroup.com).

# SCHEMAT SYSTEMU

## Opis systemu

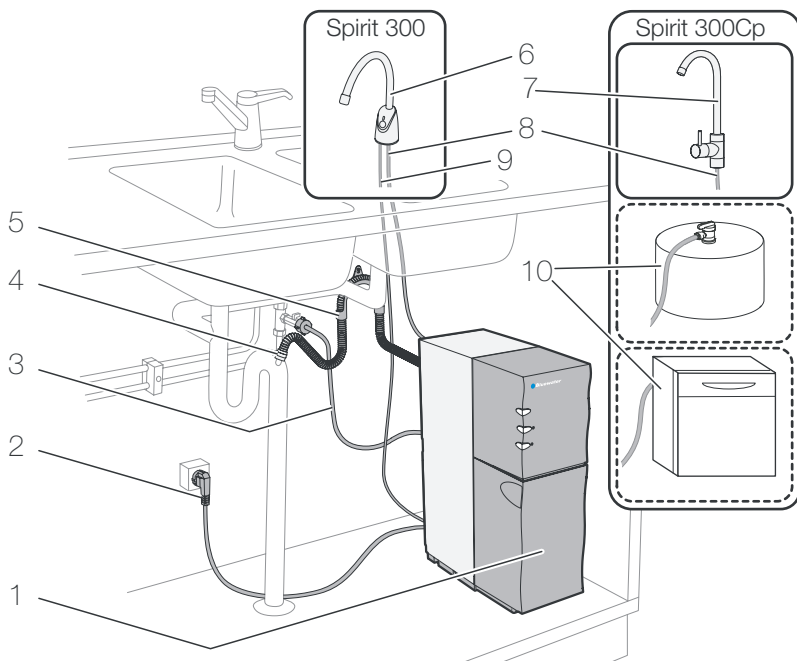


Figure 4. Przegląd systemu, przykład instalacji Spirit

Poz.	Opis	Poz.	Opis
1	Urządzenie do oczyszczania wody	6	Kran Bluewater
2	Przewód zasilania	7	Kran przystosowany do odwróconej osmozy
3	Wąż wody zasilającej	8	Wąż wody czystej
4	Wąż spustowy, zainstalowany ze szczelnią powietrzną	9	Podłączenie elektryczne kranu (Spirit 300)
5	Uchwyt dla węża spustowego	10	Zbiornik ciśnieniowy, artykuł gospodarstwa domowego, np. zmywarka do naczyń.

## Montaż



Muszą być spełnione obowiązujące przepisy i regulacje dotyczące instalacji wodo-ciągowej.



Podłączać urządzenie do oczyszczania wody tylko do dopływu zimnej wody zasilającej. Woda musi być odpowiedniej jakości i musi spełniać wymagania dotyczące wody zasilającej.



Zalecamy montaż urządzenia do oczyszczania wody przez specjalistę rekomendowanego przez autoryzowanego dystrybutora Bluewater.

Instrukcje dotyczące instalacji można znaleźć w Complete User manual na stronie [www.bluewatergroup.com](http://www.bluewatergroup.com).

## System ochrony przed przeciekami

Czujnik umieszczony w dolnej części urządzenia wykrywa wycieki wody. W przypadku wycieku dopływ wody zasilającej jest zatrzymywany. Do czasu wyeliminowania wycieku nie można uruchomić urządzenia.

# Przeznaczenie

Urządzenie przeznaczone jest do oczyszczania wody. Nie należy go używać do innych celów. Używanie tego urządzenia poza gospodarstwem domowym i do celów innych niż oczyszczanie wody do użytku domowego jest uważane za niewłaściwe i automatycznie powoduje utratę gwarancji.

Sterowany elektronicznie Spirit 300 przeznaczony jest dla ilości wody, która zwykle konieczna jest do gotowania oraz pica w gospodarstwie domowym. Sterowany ciśnieniowo Spirit 300Cp może być podłączony do innych urządzeń takich jak zmywarki.

## Czyszczenie wody

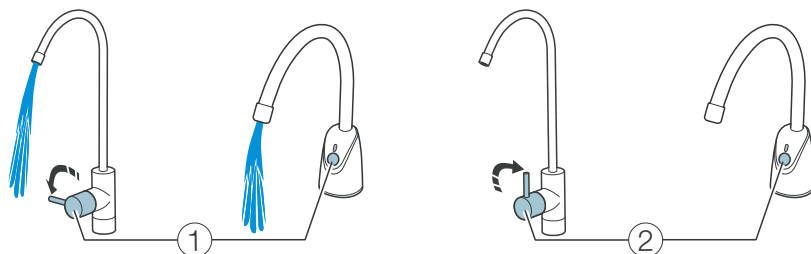


Figure 5. Wł./wyl. czyszczenia wody

## Automatyczne przepłukiwanie

Automatyczne przepłukiwanie zostanie wykonane, jeżeli spełniony będzie jeden z poniższych warunków:

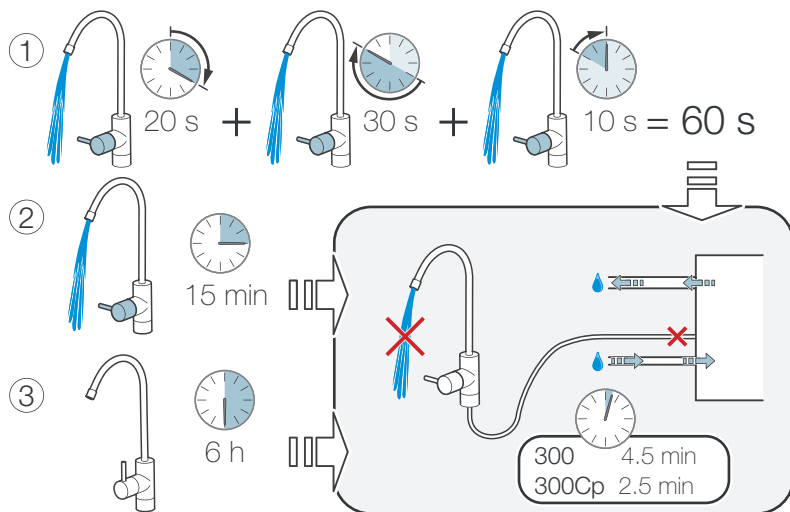


Figure 6. Automatyczne przepłukiwanie

Poz.	Opis
1	Przepłukiwanie po pobieraniu wody. Cykle produkcyjne krótsze niż 60 sekund są sumowane, przepłukiwanie ma miejsce gdy całkowity czas pobierania przekroczy 60 sekund.
2	Przepłukiwanie po maksymalnym czasie pracy 15 minut. Następnny cykl produkcyjny może być rozpoczęty zaraz po zakończeniu przepłukiwania.
3	Urządzenie do oczyszczania wody w trybie gotowości. Urządzenie Spirit podłączone jest do wody i prądu, oraz upłynęło ponad 6 godzin od ostatniego przepłukiwania.

# KONSERWACJA

## Konserwacja codzienna

### Sprawdzić kontrolki

Krok	Czynność
1	Upewnić się, czy kontrolka filtra lub serwisowa nie świecą się lub nie migają.
2	Upewnić się, czy żółta kontrolka kranu nie świeci się lub nie miga. (Spirit 300).

### Czyszczenie urządzenie



Nie używać środków chemicznych do czyszczenia powierzchni. Alkohol, benzyna, kwasy organiczne i nieorganiczne oraz substancje chemiczne o odczynie silnie zasadowym (takie jak skoncentrowany detergent do mycia naczyń) mogą spowodować uszkodzenie powierzchni.



Nie używać twardych lub ostrych narzędzi do czyszczenia urządzenia.

Krok	Czynność
1	Wyczyścić zewnętrzną powierzchnię miękką, wilgotną ściereczką nasączoną słabym roztworem mydła w celu usunięcia kurzu, zanieczyszczeń i brudu.
2	Wytrzeć do sucha miękką, suchą ściereczką.

## Regularna konserwacja



Regularna konserwacja pozwala na prawidłowe działanie i długotrwale eksploatację urządzenia. Czynności konserwacyjne może przeprowadzać wyłącznie przeszkolony i upoważniony personel.



Instrukcje dotyczące konserwacji można znaleźć w Complete User manual na stronie [www.bluewatergroup.com](http://www.bluewatergroup.com)

Częstotliwość	Opis
Co 1 miesiąc	Sprawdzić połączenia Wytrzeć kondensat z płyty podstawy
Co 4-6 miesięcy	Wymienić filtry. Filtry należy wymienić po 4-6 miesiącach lub 18 925 l (5000 gal) oczyszczonej wody
Co 6 miesięcy*	Usunąć kamień
Co rok	Sprawdzać wodę każdego roku. Jeżeli woda nie jest czysta, nie wolno jej pić. Skontaktować się z dystrybutorem Bluewater.
Co 3-5 lat*	Wymienić membranę odwróconej osmozy

\*Częstotliwość zależy od jakości wody oraz częstotliwości użytkowania.

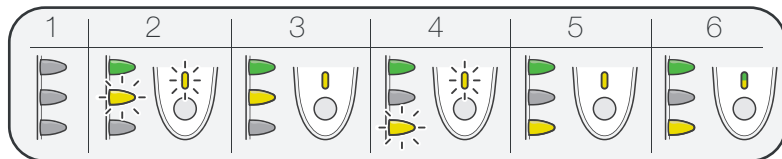


# ROZWIĄZYWANIE PROBLEMÓW

## Rozwiązywanie prostych problemów



W przypadku poważniejszych problemów należy zapoznać się z Complete User manual na stronie [www.bluewatergroup.com](http://www.bluewatergroup.com)



Objawy	Przyczyna	Rozwiązanie
1 Kontrolka ON nie świeci się.	Urządzenie do oczyszczania wody nie jest podłączone do zasilania. Spirit 300: Przewód kranu nie jest podłączony.	Podłączyć urządzenie do zasilania. Spirit 300: Należy upewnić się, czy przewód kranu oraz złącze są podłączone.
2 Miga kontrolka filter, oraz żółta kontrolka kranu.	Filtr musi zostać wymieniony.	Patrz Complete User manual.
3 Świecą się kontrolki filter oraz żółta kontrolka kranu.	Urządzenie zatrzymało się. Filtr musi zostać wymieniony.	Patrz Complete User manual.
4 Miga kontrolka service, oraz żółta kontrolka kranu.	Pogorszyła się jakość wody, ale jest ona bezpieczna do picia. Urządzenie do oczyszczania wody wkrótce się zatrzyma, patrz 5.	Skontaktować się z Bluewater lub wymienić membranę.
5 Świecą się kontrolki service oraz żółta kontrolka kranu.	Urządzenie zatrzymało się. Wymiana filtra spowodowała dostanie się powietrza do systemu.	Odłączyć urządzenie do oczyszczania wody od zasilania. Podłączyć ponownie. Pozwolić, aby urządzenie wykonało przepłukiwanie automatyczne.
	Urządzenie zatrzymało się. Jakość wody oczyszczonej, za bardzo się pogorszyła.	Skontaktować się z Bluewater lub wymienić membranę.
6 Świecą się kontrolki service oraz żółta i zielona kontrolka kranu.	Miernik jakości wody nie działa.	Skontaktować się z dystrybutorem Bluewater.
	Urządzenie do oczyszczania wody hałasuje, ponieważ ciśnienie wody nie jest wystarczające.	Ciśnienie wody na wlocie jest niższe niż 1,5 bara. Kratka jest zapchana. Filtr jest zablokowany.
Urządzenie do oczyszczania wody nie uruchamia się.	Urządzenie wypuszcza wodę. Aktywował się system ochrony przed przeciekami.	Odczekać 5 minut. Odłączyć urządzenie od zasilania i wycisnąć płytę podstawy. Jeżeli ochrona przed przeciekami aktywowała się ponownie, proszę skontaktować się z dystrybutorem Bluewater.
	Spirit 300: Kontrolka kranu nie świeci się.	Spirit 300: Przewód kranu nie jest podłączony.
Przepływ wody przez kran do wody czystej jest niski.	Wystąpił problem z kranem elektronicznym. Przewód kranu nie jest podłączony.	Skontaktować się z dystrybutorem Bluewater. Należy upewnić się, czy przewód kranu oraz złącze są podłączone.
	Zamknięty jest zawór wody dopływowej.	Urządzenie musi zostać odkamienione. Wąż wody czystej jest naprężony lub przygnieciony.
Nic nie wypływa z kranu wody czystej.	Zamknięty jest zawór wody dopływowej.	Otworzyć zawór wody dopływowej.
Woda ma nieprzyjemny zapach.	W wodzie nastąpił wzrost drobnoustrojów ponieważ, urządzenie nie było używane przez tydzień lub dłużej.	Patrz Complete User manual

PL

# Содержание

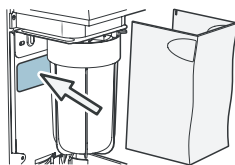
БЕЗОПАСНОСТЬ .....	67
Инструкции по технике безопасности.....	67
Информация по технике безопасности .....	67
ОБЩЕЕ ОПИСАНИЕ ИЗДЕЛИЯ.....	68
Внешний вид Spirit .....	68
<b>Внутренние и запасные компоненты Spirit</b> .....	69
Техническая информация.....	69
Рабочие характеристики изделия .....	70
ОБЗОР СИСТЕМЫ.....	71
Описание системы.....	71
Установка .....	71
Система защиты от утечки воды .....	71
Назначение устройства.....	72
Водоподготовка .....	72
ТЕХНИЧЕСКОЕ ОБСЛУЖИВАНИЕ .....	73
Ежедневное обслуживание.....	73
Регулярное техническое обслуживание .....	73
УСТРАНЕНИЕ НЕИСПРАВНОСТЕЙ .....	74
Решение простых проблем .....	74

## Отдел обслуживания клиентов

См. “Устранение неисправностей” для устранения мелких неисправностей, прежде чем обращаться за технической поддержкой. Внешняя техническая поддержка может быть платной.

Прежде чем обращаться в компанию Bluewater подготовьте следующие данные (см. паспортную табличку на задней стороне фильтра):

- Модель
- Номер изделия
- Серийный номер



## Информация по охране окружающей среды



80% компонентов очистителя воды и его упаковка снабжены этикетками с рекомендациями по их надлежащей утилизации. Очиститель воды работает более эффективно, если он очищает воду в течение более длительного периода. Пример: не наполняйте водой стакан. Вместо стакана используйте кувшин.



Устройства, имеющие данную маркировку, подлежат утилизации через местные специализированные приемные пункты утилизации электрического и электронного оборудования. Запрещается утилизация данного изделия вместе с обычными бытовыми отходами.

# БЕЗОПАСНОСТЬ

## Инструкции по технике безопасности

Перед тем как устанавливать и эксплуатировать устройство, ознакомьтесь с информацией по технике безопасности. Выполнение инструкций, изложенных в этом руководстве, позволит предотвратить травмы людей или повреждение оборудования. Настоящее руководство содержит пометки «ВНИМАНИЕ» и «ПРИМЕЧАНИЕ», которые необходимо учитывать для безопасной эксплуатации устройства.



Пометка «ВНИМАНИЕ» указывает на условия, которые могут привести к травме персонала или повреждению оборудования. Выполняйте инструкции и не продолжайте работу, пока не будут выполнены все условия и приняты все необходимые меры.



Пометкой «ПРИМЕЧАНИЕ» отмечена информация, важная для обеспечения безотказной работы и оптимального использования очистителя воды.

## Информация по технике безопасности



Запрещается употреблять воду в случае, когда горит service light, показывая, что вода не является чистой. Храните воду в емкостях, защищенных от коррозии.



Это устройство может использоваться детьми старше 8 лет. Данное устройство разрешается использовать лицам с ограниченными физическими, сенсорными и умственными возможностями, а также лицам с низким уровнем знаний и опыта, при условии, что они находятся под присмотром или прошли инструктаж по правилам безопасного использования данного устройства и уяснили степень сопряженных с ним опасностей.



Запрещается ремонтировать или модифицировать детали очистителя воды. Это может привести к нарушению его нормальной работы и причинить материальный ущерб или травмы, не покрываемые гарантией.



Система Spirit работает по принципу обратного осмоса. Система содержит сменную мембрану, которая играет важную роль в эффективном снижении общего количества растворенных твердых веществ (TDS). Эту мембрану необходимо регулярно менять.



Техническое обслуживание и ремонт очистителя воды должны выполняться только авторизованным персоналом Bluewater. Используйте только оригинальные запасные картриджи и детали Bluewater. Каталог запасных частей и контактную информацию для закупок см. на сайте [www.bluewatergroup.com](http://www.bluewatergroup.com).



Подлежащая очистке вода должна соответствовать требованиям, изложенным в разделе «Техническая информация». Проверяйте качество воды один раз в год. Если вода не является чистой, имеет привкус или неприятный запах, не употребляйте ее.



Установка должна соответствовать действующим местным санитарным нормам и правилам.



Подсоедините очиститель воды к заземленному источнику электропитания. Используйте сетевую розетку, к которой легко получить доступ после установки. Стационарное подключение системы к электросети следует поручать только квалифицированному электрику. В системе должен быть предусмотрен предохранительный выключатель. Неправильная установка может привести к повреждению оборудования или сделать очиститель воды опасным для использования.



Не используйте электрический шнур при наличии на нем видимых признаков повреждения. Во избежание опасности поврежденный электрический шнур должен быть заменен квалифицированным электриком



В случае отключения очистителя воды от водопровода и электросети на период более одной недели соблюдайте правила консервации устройства, описанные в Complete User manual, раздел «Хранение».

RU

# ОБЩЕЕ ОПИСАНИЕ ИЗДЕЛИЯ

Модель	Spirit 300	с электронным управлением	Кран Bluewater
	Spirit 300Cr	С регулировкой давления, совместим с бытовой техникой	Кран адаптирован для обратного осмоса

## Внешний вид Spirit

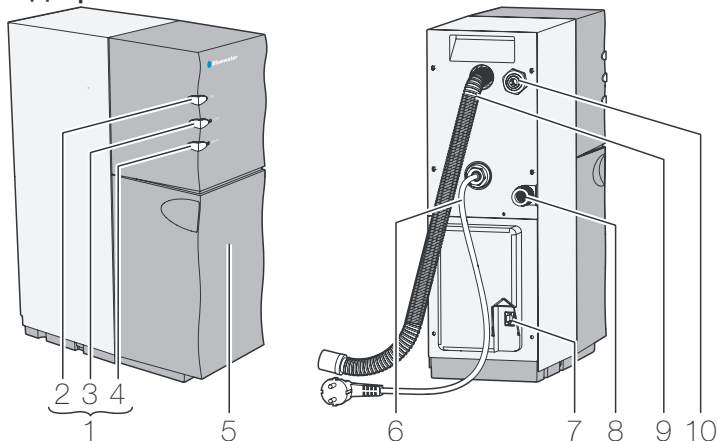


Figure 1. Внешний вид Spirit

Поз.	Описание	Поз.	Описание
1	Панель управления	6	Электрический шнур
2	On Лампа	7	Электрический разъем для подключения крана (Spirit 300)
3	Filter Лампа	8	Штуцер подачи воды с сетчатым фильтром
4	Service Лампа	9	Шланг сточной воды
5	Передняя крышка	10	Штуцер чистой воды

## Панель управления

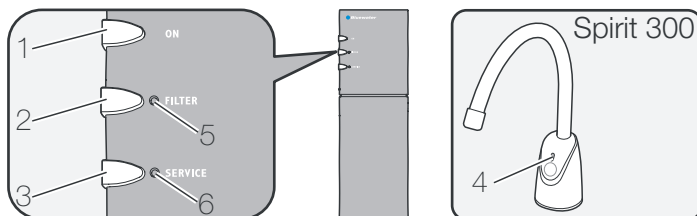


Figure 2. Панель управления

Поз.	Лампа	Описание	Поз.	Описание
1	ON	Очиститель воды подсоединен и работает правильно.	5	Кнопка FILTER
2	FILTER Лампа	Мигает Очиститель воды работает. Требуется замена фильтра. Горит Очиститель воды остановлен. Требуется замена фильтра.	6	Кнопка SERVICE
3	SERVICE Лампа	Мигает Низкое качество воды. Горит Очиститель воды выключен из-за низкого качества воды.		
4	Лампы крана Spirit 300 Spirit 300Cr N/A	Зеленый Качество воды в норме (это может занимать 120 секунд). Желтый Мигает: Имеется неисправность. Проверьте панель управления. Желтый Горит: Очиститель воды остановлен из-за низкого качества воды.		

# Внутренние и запасные компоненты Spirit

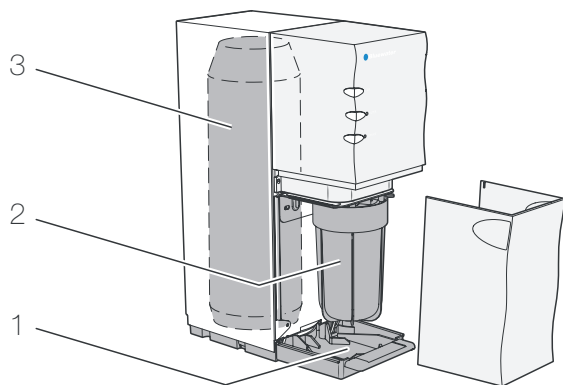


Figure 3. Внутреннее устройство Spirit

Поз.	Описание	Артикул	Поз.	Описание	Артикул
1	Опорная плита		3	Обратноосмотическая мембрана	
				Комплект для обслуживания мембран, тип HR (высокая степень очистки)	155007301-SP
				Комплект для обслуживания мембран, тип HF (высокий расход)	150759380-SP
2	Фильтр предварительной очистки, угольный фильтр, гранулированный	919240004			

RU

## Техническая информация



Для получения более подробной технической информации посетите сайт [www.bluewatergroup.com](http://www.bluewatergroup.com)

Параметр/модель	Spirit 300	Spirit 300Cp
Размер Ш × Г × В [mm (")]	150×365×462 (5.9×14.3×18.2)	150×365×462 (5.9×14.3×18.2)
Масса [kg (lbs)]	15 (33)	15 (33)
Заземленный источник питания	230V 50-60 Hz, 10A	230V 50-60 Hz, 10A
Заземленный источник питания, US	120V 60Hz, 10A	120V 60Hz, 10A
Электропитание (US)	350W (3Amps)	350W (3Amps)
Расход очищенной воды	893 галлона/сутки	666 галлонов/сутки
Уровень шума (при установке в шкаф под раковиной)	< 60 dB(A)	< 60 dB(A)
Кран с индикаторной лампой качества воды	✓	N/A



Не используйте с микробиологически небезопасной водой или водой неизвестного качества без достаточной дезинфекции до или после системы.



Разрешено подключение только к холодному водоснабжению. Предельные температуры указаны в таблице "Требования к воде, подаваемой к очистителю воды"

## Требования к воде, подаваемой к очистителю воды

Описание	Spirit 300	Spirit 300Cp
Давление [на выходе, бар (psi)]	1.5-10 (22-145)	1.5-10 (22-145)
Расход воды [l/min (gal/min)]	> 6 (1.6)	> 6 (1.6)
TDS (общее содержание растворенных механических примесей) [mg/l (ppm)]	< 1200	< 1200
Проводимость [ $\mu\text{S}/\text{cm}$ , 25 °C (77 °F)]	< 1600	< 1600
Температура [°C (°F)]	2-35 (36-95)	2-35 (36-95)
Жесткость [°dH (grains/gallon)]	< 10 (< 10.4)	<10 (<10.4)
Железо Fe <sup>III</sup> /Fe <sup>II</sup> [mg/l (ppm)]	< 0.5/< 0.3	< 0.5/< 0.3
Мутность [FNU (формазинов. ед. мутности)]	< 0.5	< 0.5

## Рабочие характеристики изделия



Маркировка WQA Gold Seal является доказательством того, что очиститель воды прошел независимые испытания и был сертифицирован в соответствии со стандартами NSF/ANSI 58 и CSA B483.1. Ассоциация WQA сертифицирует рабочие характеристики изделия и проводит анализ производственных мощностей и процессов для подтверждения стабильности качества изделий и их конструктивной целостности.

Очиститель воды Bluewater Spirit был протестирован в соответствии с NSF/ANSI 58 на эффективность уменьшения общего количества растворенных твердых веществ (TDS).

Концентрация растворенных твердых веществ (TDS) в воде, поступающей в систему, была снижена до концентрации, меньшей или равной допустимому пределу для воды, выходящей из системы, как указано в NSF/ANSI 58. Подробнее см. технический паспорт, размещенный на сайте [www.bluewatergroup.com](http://www.bluewatergroup.com).

# ОБЗОР СИСТЕМЫ

## Описание системы

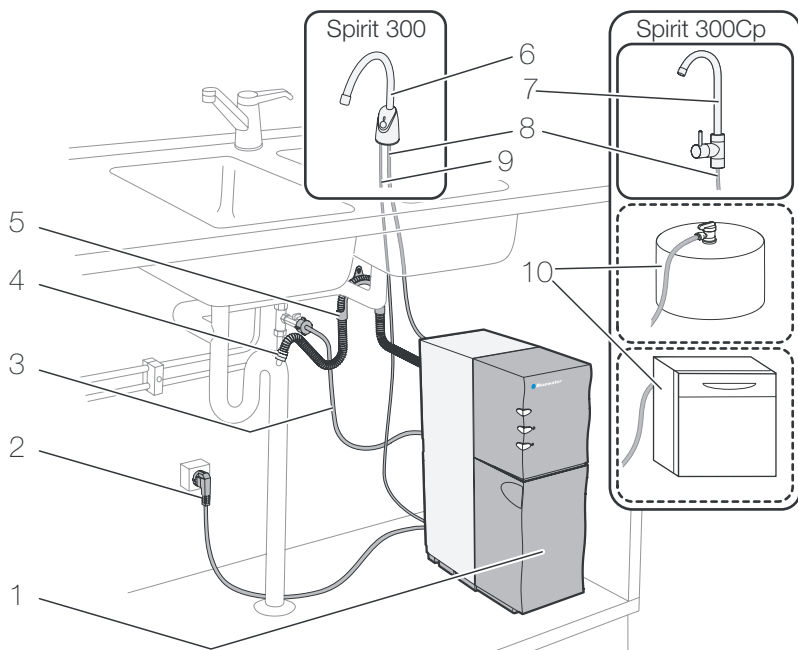


Figure 4. Описание системы, пример установки Spirit

Поз.	Описание	Поз.	Описание
1	Очиститель воды	6	Кран Bluewater
2	Электрический шнур	7	Кран адаптирован для обратного осмоса
3	Шланг для подачи воды на очистку	8	Шланг чистой воды
4	Шланг сточной воды, установленный с воздушным зазором	9	Электрический разъем для подключения крана (Spirit 300)
5	Кронштейн для шланга сточной воды	10	Напорный бак, бытовой прибор, например, посудомоечная машина.

## Установка



Установка должна соответствовать действующим местным санитарным нормам и правилам.



Подключайте очиститель воды только к холодному водоснабжению. Вода должна быть достаточно качественной и соответствовать требованиям к очищаемой воде.



Мы рекомендуем доверять установку очистителя воды только специалисту, рекомендованному авторизованным дилером Bluewater. Инструкции по установке приводятся в Complete User manual на сайте [www.bluewatergroup.com](http://www.bluewatergroup.com).

## Система защиты от утечки воды

Датчик в нижней части очистителя воды обнаруживает утечку воды. Если обнаружена утечка, подача воды на очистку останавливается. Пока утечка не будет устранена, запустить очиститель воды не удастся.

# Назначение устройства

Данный очиститель воды предназначен для производства очищенной воды. Не используйте его для любой другой цели. Любое применение помимо домашнего использования в крытом помещении и в целях иных, чем очистка воды для домашнего использования, считается нецелевым и автоматически аннулирует гарантию завода-изготовителя. Очиститель воды с электронным управлением Spirit 300 предназначен для производства воды в таком количестве, которое обычно требуется для приготовления пищи и питья в домашних условиях. Очиститель воды с регулируемым давлением Spirit 300Sp может быть подключен к другим устройствам, таким как посудомоечные машины.

## Водоподготовка

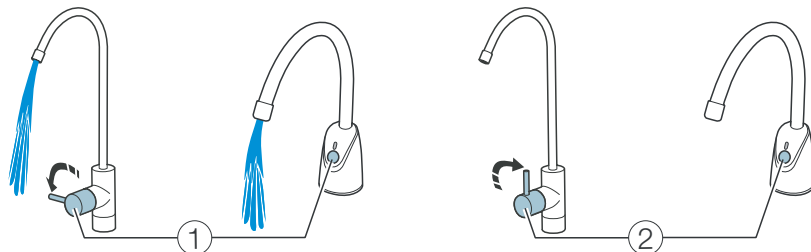


Figure 5. Включение/выключение водоподготовки

## Автоматическая промывка

Автоматическая промывка осуществляется в случае выполнения одного из перечисленных ниже условий:

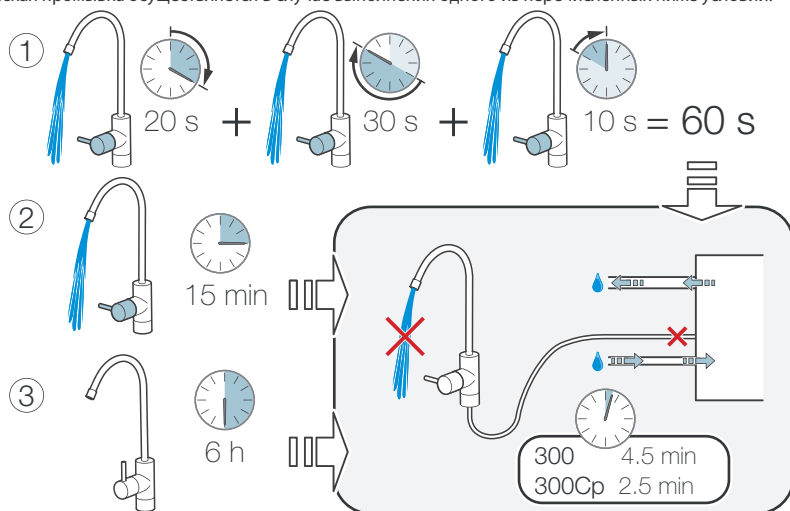


Figure 6. Автоматическая промывка

Поз.	Описание
1	Промывка после производства воды. Циклы производства воды продолжительностью менее 60 секунд складываются вместе, в результате промывка осуществляется после того, как общее время производства воды превысит 60 секунд.
2	Промывка после достижения максимального времени работы 15 минут. Следующий цикл производства воды может быть начат сразу по окончании промывки.
3	Очиститель воды в режиме ожидания. Очиститель воды Spirit соединяется с водопроводом и источником электропитания, после последней промывки прошло более 6 часов.



# ТЕХНИЧЕСКОЕ ОБСЛУЖИВАНИЕ

## Ежедневное обслуживание

### Проверьте индикаторные лампы

Шаг	Действие
1	Убедитесь, что не горят и не мигают filter light или Service Лампа .
2	Убедитесь, что желтая лампа крана не горит и не мигает. (Spirit 300).

### Произведите очистку очистителя воды



Не используйте химические средства для очистки поверхностей. Спирт, бензин, органические и неорганические кислоты, сильные щелочи (например, концентрированные средства для мытья посуды) могут повредить поверхности.



Не используйте при чистке очистителя воды твердые или острые инструменты.

RU

Шаг	Действие
1	С помощью мягкой влажной ткани и слабого мыльного раствора очистите внешнюю поверхность, чтобы удалить пыль, пятна и грязь.
2	Удалите остатки влаги мягкой сухой тканью.

## Регулярное техническое обслуживание



Регулярное техническое обслуживание имеет важное значение для правильного функционирования и обеспечения длительного срока службы устройства. Техническое обслуживание должны проводить только обученные и авторизованные специалисты.



Инструкции по проведению технического обслуживания см. в Complete User manual на сайте [www.bluewatergroup.com](http://www.bluewatergroup.com)

Частота	Описание
Каждый месяц	Проверьте соединения
	Протрите опорную плиту от конденсата
Каждые 4–6 месяцев	Замените фильтры. Заменяйте фильтры каждые 4–6 месяцев или после получения 18 925 л (5000 галлонов) очищенной воды (в зависимости от того, что наступит раньше).
Каждые 6 месяцев*	Удалите накипь
Каждый год	Проверяйте качество воды ежегодно. Если вода не является чистой, не употребляйте ее. Обратитесь к дилеру Bluewater.
Каждые 3–5 лет*	Замените обратноосмотическую мембрану

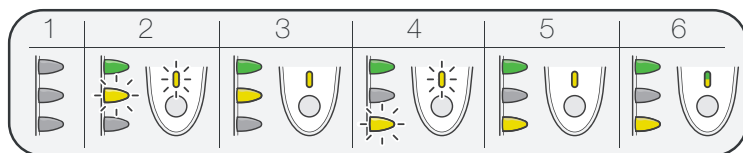
\*Частота проведения обслуживания зависит от качества воды и интенсивности использования очистителя.

# УСТРАНЕНИЕ НЕИСПРАВНОСТЕЙ

## Решение простых проблем



В случае более серьезных проблем см. Complete User manual на сайте [www.bluewatergroup.com](http://www.bluewatergroup.com)



Проблема	Причина	Решение
1 ON Лампа не горит.	Очиститель воды не подключен к источнику питания. Spirit 300: Не подсоединен кабель крана.	Подсоедините очиститель воды к источнику питания. Spirit 300: Убедитесь, что кабель подсоединен к крану и очистителю.
2 Filter Лампа мигает, желтая лампа на кране мигает.	Требуется замена фильтра.	См. Complete User manual.
3 Filter Лампа горит, желтая лампа на кране горит.	Очиститель воды остановлен. Требуется замена фильтра.	См. Complete User manual.
4 Service Лампа мигает, желтая лампа на кране мигает.	Вода низкого качества, но пригодна для питья. Очиститель воды скоро будет остановлен, см. 5.	Обратитесь к дилеру Bluewater по вопросу замены мембраны.
5 Service Лампа горит, желтая лампа на кране горит.	Очиститель воды остановлен. Попадание воздуха в систему во время замены фильтра.	Отсоедините очиститель воды от источника питания. Подсоедините повторно. Позвольте очистителю воды выполнить автоматическую промывку.
	Очиститель воды остановлен. Качество очищенной воды стало слишком низким.	Обратитесь к дилеру Bluewater по вопросу замены мембраны.
6 Горит service Лампа, горят желтая и зеленая лампы на кране.	Не работает анализатор качества воды.	Обратитесь к дилеру Bluewater.
Очиститель воды шумит из-за недостаточного давления воды.	Во время работы входное давление ниже 1,5 бар.	Обратитесь к дилеру Bluewater.
	Засорение сетчатого фильтра.	См. Complete User manual.
	Засорение фильтра.	См. Complete User manual.
Очиститель воды не включается.	Идет промывка очистителя воды.	Подождите 5 минут.
	Сработала система защиты от перелива.	Отсоедините очиститель воды от источника питания и очистите опорную плиту. При повторном срабатывании системы защиты от перелива обратитесь к дилеру Bluewater.
	Spirit 300: Не подсоединен кабель крана.	Spirit 300: Убедитесь, что кабель подсоединен к крану и очистителю.
Spirit 300: Не горит индикатор крана.	Проблема с электронной частью крана.	Обратитесь к дилеру Bluewater.
	Не подсоединен кабель крана.	Убедитесь, что кабель подсоединен к крану и очистителю.
Слабый напор воды из крана чистой воды.	Очистителю воды требуется очистка от накипи.	См. Complete User manual.
	Натянут или пережат шланг очистителя воды.	Убедитесь, что шланг очистителя воды может перемещаться свободно.
Не идет вода из крана чистой воды.	Закрыт запорный клапан подачи воды на очистку.	Откройте запорный клапан подачи воды на очистку.
Вода плохо пахнет.	Рост микробов в воде в результате длительного бездействия очистителя воды в течение одной недели или более.	См. Complete User manual.

# Innehåll

SÄKERHET .....	76
Säkerhetsanvisningar.....	76
Säkerhetsinformation .....	76
PRODUKTÖVERSIKT .....	77
Spirits utsida .....	77
Spirits insida och delar som kan bytas ut.....	78
Teknisk information .....	78
Produktprestanda.....	79
SYSTEMÖVERSIKT .....	80
Systembeskrivning .....	80
Installation .....	80
Läckskyddssystem.....	80
Avsedd användning.....	81
Vattenproduktion .....	81
UNDERHÅLL.....	82
Dagligt underhåll.....	82
Regelbundet underhåll.....	82
FELSÖKNING.....	83
Att lösa mindre problem.....	83

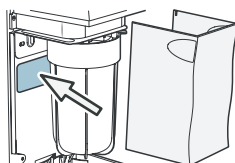
SE

## Kundtjänst

Information om hur du själv kan lösa mindre problem innan du ringer kundtjänst finns på "Felsökning". Om du behöver extern service kan det kosta pengar.

När du ringer Bluewater, ha följande uppgifter tillgängliga (finns på märkskytten bakom filtret):

- Modell
- Produktnummer
- Serienummer



## Allmän miljöinformation



80 % av vattenrenarens delar och förpackningar har etiketter som hjälper dig att återvinna och kassera den på rätt sätt. Vattenrenaren är mer effektiv när den får rena vattnet under längre perioder. Exempel: fyll inte ett glas med vatten. Fyll en tillbringare i stället.



Enheter med denna symbol måste lämnas in på en anläggning som tar emot kasserad elektrisk och elektronisk utrustning. Produkten får inte kastas tillsammans med vanligt hushållsavfall.

# SÄKERHET

## Säkerhetsanvisningar

Innan du installerar eller använder apparaten måste du ha läst igenom detta kapitel. Följ instruktionerna i denna handbok för att förhindra personskador och skador på apparaten. I denna handbok finns signalord som FÖRSIKTIGHET och OBS! med anvisningar som måste följas för att enheten ska kunna användas på ett säkert sätt.



**FÖRSIKTIGHET** signalerar tillstånd som kan leda till skador på apparaten. Följ instruktionerna och fortsätt inte använda apparaten förrän alla sådana tillstånd har åtgärdats och godkänts.



**OBS!** signalerar information som är viktig för att vattenrenaren ska kunna användas på ett problemfritt och optimalt sätt.

## Säkerhetsinformation



Vattnet får inte drickas om servicelampan visar att det inte är rent. Förvara vattnet i rostfria kärl.



Apparaten får användas av barn som är äldre än 8 år. Den får även användas av personer med nedsatt fysisk, sensorisk eller mental förmåga eller brist på kunskap och erfarenhet, förutsatt att de får hjälp eller instruktioner för att kunna använda apparaten på ett säkert sätt och förutsatt att de förstår vilka risker användningen innebär.



Försök inte reparera eller manipulera vattenrenaren och dess komponenter. Detta kan leda till att enheten inte fungerar som den ska och skador kan uppstå som inte omfattas av garantin.



Spirit är ett system baserat på omvänd osmos. Det har ett utbytbar membran som är mycket viktigt för en effektiv reduktion av mängden upplösta ämnen (TDS – Total Dis-solved Solids). Detta membran måste bytas ut regelbundet.



Endast behörig Bluewater-personal får utföra service och reparationer på vattenrenaren. När du byter patron eller andra delar måste du använda originaldelar från Bluewater. Du hittar reservdelskatalogen och kontaktuppgifter för inköp på [www.bluewatergroup.com](http://www.bluewatergroup.com).



Vattnet som ska renas måste uppfylla kraven i avsnittet "Teknisk information". Testa vattnet en gång per år. Drick inte vattnet om det inte ser rent ut, eller om det smakar eller luktar illa.



Installationen måste uppfylla gällande VVS-regler och -förfordningar.



Anslut vattenrenaren till ett jordat eluttag. Använd ett uttag som är lättåtkomligt även efter slutförd installation. Om permanent ledningsdragning ska göras, måste detta utföras av en behörig elektriker. En säkerhetsbrytare måste installeras i systemet. Felaktig installation kan leda till skador eller göra vattenrenaren farlig att använda.



Använd inte enheten om strömkabeln har synliga skador. Om strömkabeln är skadad måste en behörig elektriker byta ut den för att förhindra farliga situationer.



Ska vattenrenaren kopplas bort från vatten/el längre än en vecka, förbered den för förvaring i enlighet med avsnittet "Storage" i Complete User Manual.

# PRODUKTÖVERSIKT

Modell	Spirit 300	Elektronisk styrning	Bluewater kran
	Spirit 300Cp	Tryckreglerad och kompatibel med hushållsapparater	Kran anpassad för omvänd osmos

## Spirits utsida

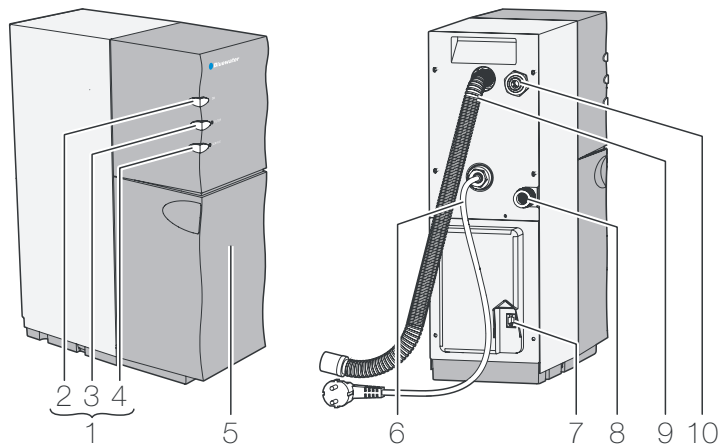


Figure 1. Spirits utsida

Pos.	Beskrivning	Pos.	Beskrivning
1	Kontrollpanel	6	Strömkabel
2	Lampa ON	7	Elanslutning för kran (Spirit 300)
3	Lampa Filter	8	Matarvattenanslutning med nätfilter
4	Lampa Service	9	Avloppsslang
5	Frontpanel	10	Anslutning för renvatten

## Kontrollpanel

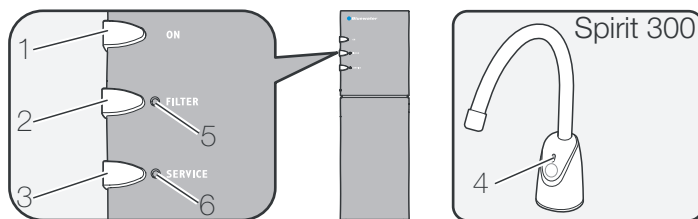


Figure 2. Kontrollpanel

Pos.	Lampa	Beskrivning	Pos.	Beskrivning
1	ON	Vattenrenaren är ansluten och fungerar korrekt.	5	Knapp FILTER
2	Lampa FILTER	Blinkar Lyser	6	Knapp SERVICE
3	Lampa SERVICE	Blinkar Lyser		
4	Lampor på kranen Spirit 300 Spirit 300Cp N/A	Grön Gul Gul		
		Visar att vattenkvaliteten är god (kan dröja upp till 120 sekunder). Blinkar: Ett fel har inträffat. Titta på kontrollpanelen. Lyser: Vattenrenaren har stannat, vattenkvaliteten har försämrats.		

## Spirits insida och delar som kan bytas ut

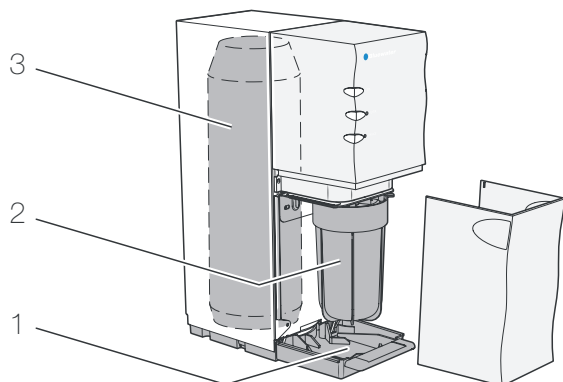


Figure 3. Spirits insida

Läge	Beskrivning	Art. nr	Läge	Beskrivning	Art. nr
1	Bottenplatta		3	Membran – omvänd osmos	
				Membranservicesats, typ HR (High Rejection)	155007301-SP
				Membranservicesats, typ HF (High Flow)	150759380-SP
2	Förfilter, kolfilter, granulerat	919240004			

## Teknisk information



Mer detaljerad teknisk information finns på [www.bluewatergroup.com](http://www.bluewatergroup.com)

Parameter/modell	Spirit 300	Spirit 300Cp
Storlek B x D x H [mm (")]	150x365x462 (5.9x14.3x18.2)	150x365x462 (5.9x14.3x18.2)
Vikt [kg (lbs)]	15 (33)	15 (33)
Nätanslutning, jordad	230V 50-60 Hz, 10A	230V 50-60 Hz, 10A
Nätanslutning, jordad, US	120V 60Hz, 10A	120V 60Hz, 10A
Effekt (US)	350W (3Amps)	350W (3Amps)
Flödes hastighet, renat vatten	3 380 liter/dag (893 gal./dag)	2 521 liter/dag (666 gal./dag)
Ljudnivå (installerad i diskbänkskåp)	< 60 dB(A)	< 60 dB(A)
Kran med indikatorlampa för vattenkvalitet	✓	N/A



Får inte användas med vatten som är mikrobiologiskt osäkert eller är av okänd kvalitet och inte desinfekterats ordentligt före eller efter systemet.



Får endast anslutas till kallvattenledningen. Temperaturgränserna är angivna i tabellen "Krav på matarvatten till vattenrenare".

# Krav på matarvatten till vattenrenare

Beskrivning	Spirit 300	Spirit 300Cp
Tryck [bar (psi)]	1.5-10 (22-145)	1.5-10 (22-145)
Flödeshastighet, vatten [l/min (gal/min)]	> 6 (1.6)	> 6 (1.6)
TDS (lösta ämnen) [mg/l (ppm)]	< 1200	< 1200
Konduktiviteten [ $\mu$ S/cm, 25 °C (77 °F)]	< 1600	< 1600
Temperatur [°C (°F)]	2-35 (36-95)	2-35 (36-95)
Hårdhet [°dH (grains/gallon)]	< 10 (< 10.4)	<10 (<10.4)
Jäm Fe <sup>II</sup> /Fe <sup>III</sup> [mg/l (ppm)]	< 0.5/< 0.3	< 0.5/< 0.3
Turbiditet [FNU]	< 0.5	< 0.5

## Produktprestanda



SE

Gold Seal-märkningen från Water Quality Association (WQA) bevisar att vattenrenaren har genomgått oberoende provning och har certifierats enligt NSF/ANSI 58 och CSA Standard B483.1. WQA certifierar produktprestanda och granskar tillverkningsanläggningen och dess rutiner för att säkerställa produkternas enhetlighet och integritet.

Vattenrenaren Bluewater Spirit har testats i enlighet med NSF/ANSI 58 avseende reducering av upplösta ämnen (TDS – Total Dissolved Solids).

TDS-koncentrationen i vattnet då det tillförs systemet minskar till en koncentration som är mindre än eller lika med tillåtet gränsvärde för vattnet som lämnar systemet enligt specifikationserna i NSF/ANSI 58.

Mer information finns i prestandatablattet på [www.bluewatergroup.com](http://www.bluewatergroup.com)

# SYSTEMÖVERSIKT

## Systembeskrivning

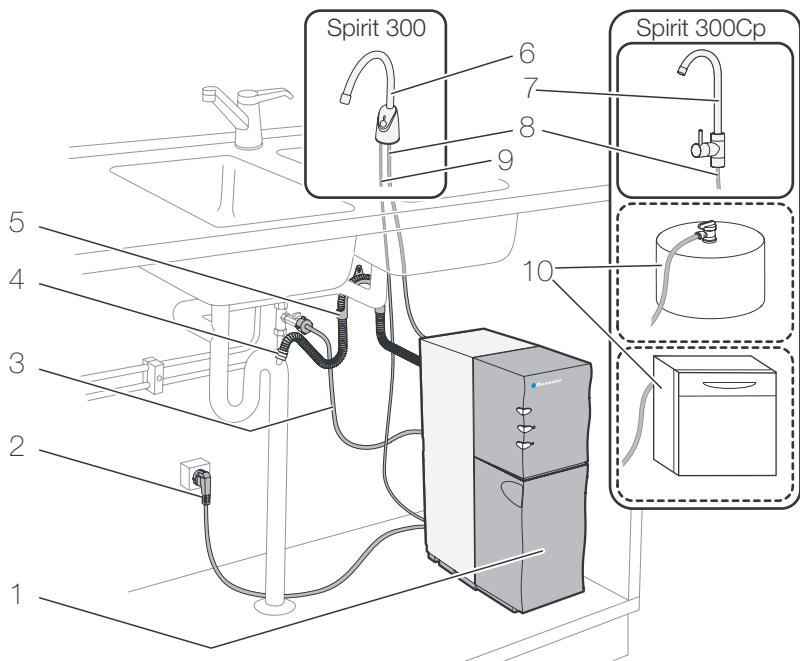


Figure 4. Systemöversikt, ett exempel på en Spirit-installation

Läge	Beskrivning	Läge	Beskrivning
1	Vattenrenare	6	Bluewater kran
2	Strömkabel	7	Kran anpassad för omvänd osmos
3	Matarvattenslang	8	Renvattenslang
4	Avloppsslang, installerad med ett luftgap	9	Elanslutning för kran (Spirit 300)
5	Hållare för avloppsslang	10	Tryckbehållare, hushållsapparat, t.ex. diskmaskin.

## Installation



Installationen måste uppfylla gällande VVS-regler och -förfordningar.



Vattenrenaren får endast anslutas till kallvattenledningen. Vattnet måste vara av tillräckligt god kvalitet och uppfylla kraven på matarvatten.



Vi rekommenderar att vattenrenaren installeras av en fackman som har rekommenderats av en auktoriserad Bluewater-återförsäljare. Installationsanvisningar finns i Complete User Manual och på [www.bluewatergroup.com](http://www.bluewatergroup.com).

## Läckskyddssystem

En sensor i vattenrenarens nederdel känner av vattenläckor. Om en läcka uppstår stoppas matarvattentillförseln. Det går inte att starta vattenrenaren igen förrän läckan har åtgärdats.



# Avsedd användning

Vattenrenaren är avsedd för att rena vatten. Den får inte användas för några andra ändamål. Om den används någon annanstans än inomhus i hemmamiljö eller för andra ändamål än att rena vatten för hushållsbruk anses det som felaktigt bruk, vilket innebär att garantin automatiskt upphört att gälla.

Den elektroniskt styrda Spirit 300 är avsedd för att framställa rent vatten i den kvantitet som normalt går åt för matlagning och förtäring i ett hushåll. Den tryckreglerade Spirit 300Cp kan anslutas till andra apparater, till exempel en diskmaskin.

## Vattenproduktion

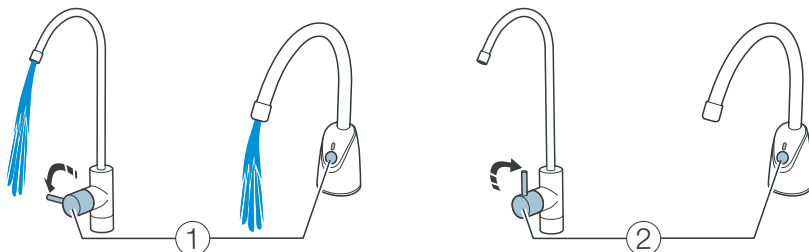


Figure 5. Vattenproduktion, på/av

SE

## Automatisk spolning

En automatisk spolning genomförs om något av nedanstående villkor uppfylls:

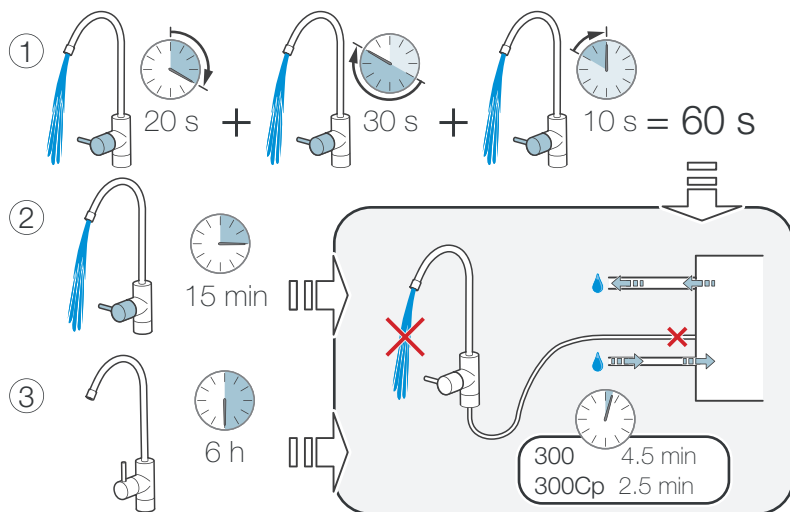


Figure 6. Automatisk spolning

Pos	Beskrivning
1	Spolning efter vattentappning. Produktionscykler kortare än 60 sekunder läggs samman, och en spolning utförs när den totala tapptiden överskrider 60 sekunder.
2	Spolning efter maximal drifttid på 15 minuter. Nästa produktionscykel kan startas direkt efter genomförd spolning.
3	Vattenrenare i standbyläge. Spirit är ansluten till vatten och el, och den senaste spolningen utfördes för mer än 6 timmar sedan.

# UNDERHÅLL

## Dagligt underhåll

### Kontroll av indikeringslampor

Steg	Åtgärd
1	Kontrollera att lampa FILTER eller lampa SERVICE inte lyser eller blinkar.
2	Kontrollera att den gula kranlampan inte lyser eller blinkar (Spirit 300).

### Rengör vattenrenaren



Använd inte kemikalier för att rengöra utsidan. Alkohol, bensin, organiska och oorganiska syror och starkt basiska kemikalier (som t.ex. diskmedel i koncentrerad form) orsakar skador på utsidan.



Använd inga hårda eller vassa verktyg för att rengöra vattenrenaren.

Steg	Åtgärd
1	Rengör utsidan med en mjuk, fuktig trasa och milt tvålsvatten för att ta bort damm, fläckar och smuts.
2	Torka av med en mjuk, torr trasa.

## Regelbundet underhåll



Regelbundet underhåll är viktigt för att apparaten ska fungera på rätt sätt och under lång tid. Endast utbildad och behörig personal får utföra underhåll.



Underhållsanvisningar finns i Complete User Manual på [www.bluewatergroup.com](http://www.bluewatergroup.com)

Frekvens	Beskrivning
1 månad	Kontrollera anslutningarna Torka bort kondens från bottenplattan
4–6 månader	Byt ut förfiltret
6 månader*	Avkalkning
1 år	Testa vattnet en gång per år. Drick inte vattnet om det inte ser rent ut. Kontakta din Bluewater-återförsäljare.
3–5 år*	Byt ut membranet för omvänd osmos

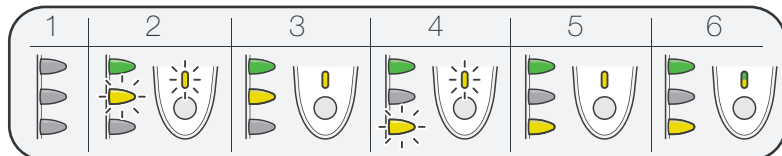
\*Hur ofta underhållet behöver utföras beror på vattenkvaliteten och hur mycket vattenrenaren används

# FELSÖKNING

## Att lösa mindre problem



För mer komplicerade problem – se Complete User Manual på [www.bluewatergroup.com](http://www.bluewatergroup.com)



Symptom	Orsak	Lösning
1 Lampa ON lyser inte.	Vattenrenaren är inte ansluten till elnätet.	Anslut vattenrenaren till ett eluttag.
	Spirit 300: Krankabeln är inte ansluten.	Spirit 300: Kontrollera att krankabeln och kontakten är anslutna.
2 Lampa FILTER blinkar, och den gula kranlampan blinkar.	Filtret måste bytas ut.	Se Complete User Manual.
3 Lampa SERVICE lyser, och den gula kranlampan lyser.	Vattenrenaren har stannat. Filtret måste bytas ut.	Se Complete User Manual.
4 Lampa SERVICE blinkar, och den gula kranlampan blinkar.	Vattenkvaliteten har försämrats, men det är säkert att dricka vattnet. Vattenrenaren stannar snart, se 5.	Kontakta Bluewater för att få membranet utbytt.
5 Lampa SERVICE lyser, och den gula kranlampan lyser.	Vattenrenaren har stannat. Luft har trängt in i systemet i samband med filterbyte.	Dra ut elkontakten till vattenrenaren. Sätt i kontakten igen. Låt vattenrenaren genomföra en automatisk spolning.
	Vattenrenaren har stannat. Vattenkvaliteten har blivit för dålig.	Kontakta Bluewater för att få membranet utbytt.
6 Lampa SERVICE lyser, och både den gula och gröna kranlampan lyser.	Vattenkvalitetsmätaren är ur funktion.	Kontakta din Bluewater-återförsäljare.
Vattenrenaren låter eftersom vattentrycket är för lågt.	Inloppstrycket är mindre än 1,5 bar under drift.	Kontakta din Bluewater-återförsäljare.
	Nätfiltret är igensatt.	Se Complete User Manual
	Filtret är igensatt.	Se Complete User Manual
Vattenrenaren startar inte.	Vattenrenaren spolar vatten.	Vänta i fem minuter.
	Överloppsskyddet har aktiverats.	Dra ut elkontakten till vattenrenaren och rengör bottenplattan. Om överloppsskyddet aktiveras igen, kontakta din Bluewater-återförsäljare.
	Spirit 300: Krankabeln är inte ansluten.	Spirit 300: Kontrollera att krankabeln och kontakten är anslutna.
Spirit 300: Kranlampan är inte tänd.	Det har uppstått ett problem med den elektroniska kranen.	Kontakta din Bluewater-återförsäljare.
	Krankabeln är inte ansluten.	Kontrollera att krankabeln och kontakten är anslutna.
Låg flödes hastighet från renvattenkranen.	Vattenrenaren behöver avkalkas.	Se Complete User Manual.
	Renvattenslangen är för spänd eller har kommit i kläm.	Se till att renvattenslangen löper fritt.
Det kommer inget vatten från renvattenkranen.	Avstängningsventilen för matarvattnet är stängd.	Öppna avstängningsventilen för matarvatten.
Vattnet luktar illa.	Mikrobiell tillväxt i vattnet på grund av att vattenrenaren inte har använts på en vecka eller mer.	Se Complete User Manual

SE

# Sisältö

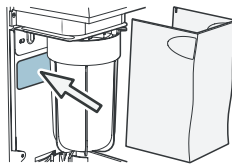
TURVALLISUUS .....	85
Turvallisuusohjeet .....	85
Turvallisuustiedot .....	85
TUOTEKATSAUS.....	86
Spiriit ulkopuolelta .....	86
Spiriit sisäpuolelta ja vaihdettavat osat .....	87
Tekniset tiedot .....	87
Tuotteen suorituskyky .....	88
JÄRJESTELMÄKATSAUS.....	89
Järjestelmän kuvaus .....	89
Asennus .....	89
Vuotosuojajärjestelmä .....	89
Käyttötarkoitus .....	90
Vedentuotanto.....	90
HUOLTO .....	91
Jokapäiväinen huolto .....	91
Säännöllinen huolto .....	91
VIANMÄÄRITYS.....	92
Yksinkertaisten ongelmien ratkaiseminen .....	92

## Asiakaspalvelu

Katso kohdasta "Vianmääritys" apua pienten ongelmien ratkaisemiseen, ennen kuin otat yhteyttä huoltoon. Jos tarvitset ulkopuolista huoltoapua, se ei ole välttämättä ilmaista.

Varaa seuraavat tiedot (ne näkyvät suodattimen takana olevassa tyyppikilvessä) esille soittaessasi Bluewaterille:

- Malli
- Tuotenumero
- Sarjanumero



## Ympäristötiedot



80 %:ssa vedenpuhdistuslaitteen osista ja sen pakkauksessa on merkintä, joka auttaa kierrättämään ja hävittämään ne oikein. Vedenpuhdistuslaite on tehokkaampi, kun se puhdistaa vettä pidempinä jaksoina. Esimerkki: älä täytä lasia vedellä. Täytä sen sijaan kannu.



Tällä symbolilla merkityt laitteet on toimitettava paikalliseen sähkö- ja elektroniikkalaitteiden kierrätyspisteeseen. Tämän tuotteen voi hävittää normaalin kotitalousjätteen mukana.

# TURVALLISUUS

## Turvallisuusohjeet

Lue turvallisuustiedot ennen kuin asennat laitteen tai käytät sitä. Noudata tämän käsikirjan ohjeita välttääksesi loukkaantumiset tai laitteen vaurioitumisen. Tämä käsikirja sisältää laitteen turvallista käyttöä koskevia VAROITUKSIA ja HUOMAUTUKSIA.



**HUOMAUTUS** viittaa tilanteisiin, joista voi aiheutua vahinkoa laitteelle. Noudata ohjeita äläkä jatka, ennen kuin kaikki ehdot on hyväksytty ja täytetty.



Huom! Antaa tärkeitä tietoja, joiden tavoitteena on vedenpuhdistuslaitteen ongelmaton ja optimaalinen käyttö.

## Turvallisuustiedot



Älä juo vettä, jos huoltovalo osoittaa, että se ei ole puhdasta. Säilytä vesi ruostumattomissa astioissa.



Tätä laitetta saavat käyttää 8 vuotta täyttäneet henkilöt. Sitä saavat käyttää henkilöt, joiden fyysiset, aistilliset tai henkiset kyvyt ovat heikentyneet tai jotka eivät ole käyttäneet laitetta tai tunne sitä vain, jos heidät opastetaan laitteen turvalliseen käyttöön ja jos he ymmärtävät laitteen käyttöön liittyvät vaarat.



Älä korjaa tai muuta vedenpuhdistuslaitteen osia. Se voisi johtaa laitteen virheelliseen toimintaan ja aiheuttaa loukkaantumisia tai vaurioita, joita takuu ei korvaa.



Spirit on käänteisosmoosijärjestelmä. Siinä on vaihdettava kalvo, joka on erittäin tärkeä liuenneiden kiinteiden aineiden kokonaismäärän (TDS) vähentämisessä. Vaihda tämä kalvo säännöllisesti.



Ainoastaan hyväksytty Bluewaterin henkilökunta saa tehdä vedenpuhdistuslaitteen huolto- ja korjaustöitä. Käytä ainoastaan alkuperäisiä Bluewaterin vaihtopatruneita ja -osia. Va-raosaluettelon ja yhteystiedot hankkimista varten löydät osoitteesta [www.bluewatergroup.com](http://www.bluewatergroup.com).



Puhdistettavan veden on vastattava kohdan Tekniset tiedot vaatimuksia. Testaa vesi ker-ran vuodessa. Jos vesi ei ole puhdasta tai se maistuu tai haisee pahalta, älä juo sitä.



Asennus on tehtävä sovellettavien paikallisten LVI-sääntöjen ja -määräysten mukaisesti.



Liitä vedenpuhdistuslaite maadoitettuun pistorasiaan. Käytä pistoketta, johon pääsee helposti käsiksi asennuksen jälkeen. Ainoastaan hyväksytty sähköasentaja saa asentaa järjestelmään pysyvän johdotuksen. Järjestelmään on asennettava turvakatkaisin. Virheellisestä asennuksesta voi seurata vaurioita tai se voi tehdä vedenpuhdistuslaitteesta vaarallisen käyttää.



Älä käytä virtajohtoa, jos siinä on näkyviä merkkejä vaurioista. Jos virtajohto on vaurioitunut, pätevä sähköasentajan on vaihdettava se vaaratilanteiden välttämiseksi.



Jos vedenpuhdistuslaite on irrotettuna vesi- ja sähköliitännöistä yli viikon ajan, säilytä se täydellisen käyttöohjeen "Säilytys"-luvun kuvauksen mukaisesti.

FI

# TUOTEKATSAUS

Malli	Spirit 300	Elektronisesti ohjattu	Bluewater-hana
	Spirit 300Cp	Paineohjattu, yhteensopiva kotitalouden laitteiden kanssa	Käänteisosmoosille sovitettu hana

## Spirit ulkopuolelta

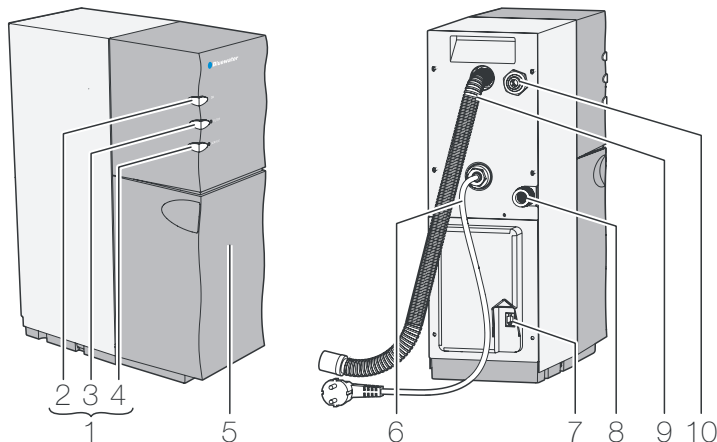


Figure 1. Spirit ulkopuolelta

Nro	Kuvaus	Nro	Kuvaus
1	Käyttöpaneeli	6	Virtajohto
2	On-valo	7	Sähköliitäntä hanalle (Spirit 300)
3	Filter-valo	8	Tulovesiliitäntä ritiläsuodattimella
4	Service-valo	9	Poistovesiletku
5	Etusuoja	10	Puhdasvesiliitäntä

## Käyttöpaneeli

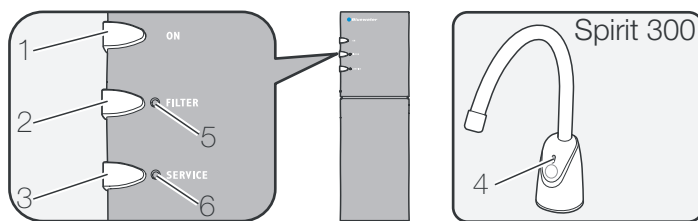


Figure 2. Käyttöpaneeli

Nro	Valo	Kuvaus	Nro	Kuvaus
1	ON	Vedenpuhdistuslaite on liitetty ja toimii oikein.	5	FILTER-painike
2	FILTER-valo	Vilkkuu Vedenpuhdistuslaite toimii. Suodatin on vaihdettava. Palaa Vedenpuhdistuslaite on pysähtynyt. Suodatin on vaihdettava.	6	SERVICE-painike
3	SERVICE-valo	Vilkkuu Veden laatu heikentynyt. Palaa Vedenpuhdistuslaite on pysähtynyt, veden laatu on heikentynyt.		
4	Hanan valot Spirit 300 Spirit 300Cp N/A	Vihreä Ilmaisee hyvän vedenlaadun (tämä voi kestää enintään 120 sekuntia). Keltainen Vilkkuu: Jotain on vialla. Katso käyttöpaneeli. Keltainen Palaa: Vedenpuhdistuslaite on pysähtynyt, veden laatu on heikentynyt.		

# Spirit sisäpuolelta ja vaihdettavat osat

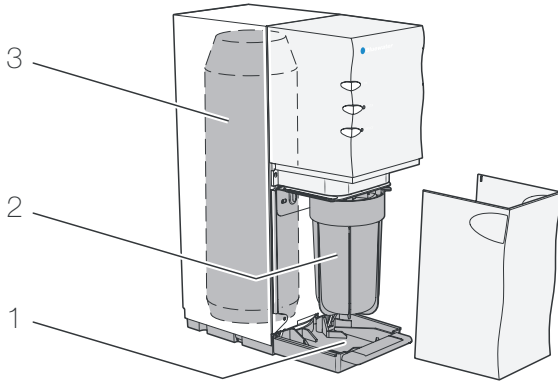


Figure 3. Spirit sisäpuolelta

Nro	Kuvaus	Tuoteno	Nro	Kuvaus	Tuoteno
1	Aluslevy		3	Käänteisosmoosikalvo	
				Kalvon huoltosarja, tyyppi HR (High Rejection, suuri hylkäysaste)	155007301-SP
				Kalvon huoltosarja, tyyppi HF (High Flow, suuri virtaus)	150759380-SP
2	Esisuodatin, hiilisuodatin, rakeet	919240004			

## Tekniset tiedot



Katso tarkemmat tekniset tiedot osoitteesta [www.bluewatergroup.com](http://www.bluewatergroup.com)

Parametri/Malli	Spirit 300	Spirit 300Cp
Koko LxSxK [mm (")]	150x365x462 (5.9x14.3x18.2)	150x365x462 (5.9x14.3x18.2)
Paino [kg (lbs)]	15 (33)	15 (33)
Sähkönsyöttö, maadoitettu pistorasia Sähkönsyöttö, maadoitettu pistorasia US	230V 50-60 Hz, 10A 120V 60Hz, 10A	230V 50-60 Hz, 10A 120V 60Hz, 10A
Teho (US)	350W (3Amps)	350W (3Amps)
Puhdistetun veden virtaama	893 gal/päivä	666 gal/päivä
Melutaso (asennettu allaskaappiin)	< 60 dB(A)	< 60 dB(A)
Hana, jossa on veden laadun ilmaisinväli	✓	N/A



Älä käytä mikrobiologisesti vaarallisen tai laadultaan tuntemattoman veden kanssa ennen riittävää desinfiointia ennen järjestelmää tai sen jälkeen.



Liitä ainoastaan kylmän veden syöttöön. Lämpötilarajoitukset ovat taulukossa "Vedenpuhdistuslaitteelle syötettävää vettä koskevat vaatimukset".

## Vedenpuhdistuslaitteelle syötettävää vettä koskevat vaatimukset

Kuvaus	Spirit 300	Spirit 300Cp
Paine [virtaava bar (psi)]	1.5-10 (22-145)	1.5-10 (22-145)
Veden virtaama [l/min (gal/min)]	> 6 (1.6)	> 6 (1.6)
TDS (Total dissolved solids, liuenneita kiinteitä aineita yhteensä) [mg/l (ppm)]	< 1200	< 1200
Johtavuus [ $\mu$ S/cm, 25 °C (77 °F)]	< 1600	< 1600
Lämpötila [°C (°F)]	2-35 (36-95)	2-35 (36-95)
Kovuus [°dH (grains/gallon)]	< 10 (< 10.4)	<10 (<10.4)
Rautaa Fe <sup>II</sup> /Fe <sup>III</sup> [mg/l (ppm)]	< 0.5/< 0.3	< 0.5/< 0.3
Sameus [FNU]	< 0.5	< 0.5

## Tuotteen suorituskyky



WQA Gold Seal -merkki todistaa, että Bluewater-vedenpuhdistin on testattu riippumattomasti ja sertifioitu NSF/ANSI 58 -standardin ja CSA-standardin B483.1 mukaisesti. WQA sertifioi tuotteen suorituskyvyn ja tar-kastelee valmistuslaitetta ja -menetelmiä tuotteen yhtenäisen laadun ja kestävyuden varmistamiseksi.

Bluewater Spirit -vedenpuhdistimen TDS:n (liuennneiden kiinteiden aineiden kokonaismäärän) vä-hennys on testattu NSF/ANSI 58 -standardin mukaisesti.

Järjestelmään saapuvan veden TDS-konsentraatio pieneni konsentraatioksi, joka on enintään yhtä suuri kuin järjestelmästä poistuvan veden suurin sallittu raja standardin NSF/ANSI 58 mukaisesti.

Katso lisätietoja suorituskyvyn tietolehdessä osoitteesta [www.bluewatergroup.com](http://www.bluewatergroup.com).



# JÄRJESTELMÄKATSAUS

## Järjestelmän kuvaus

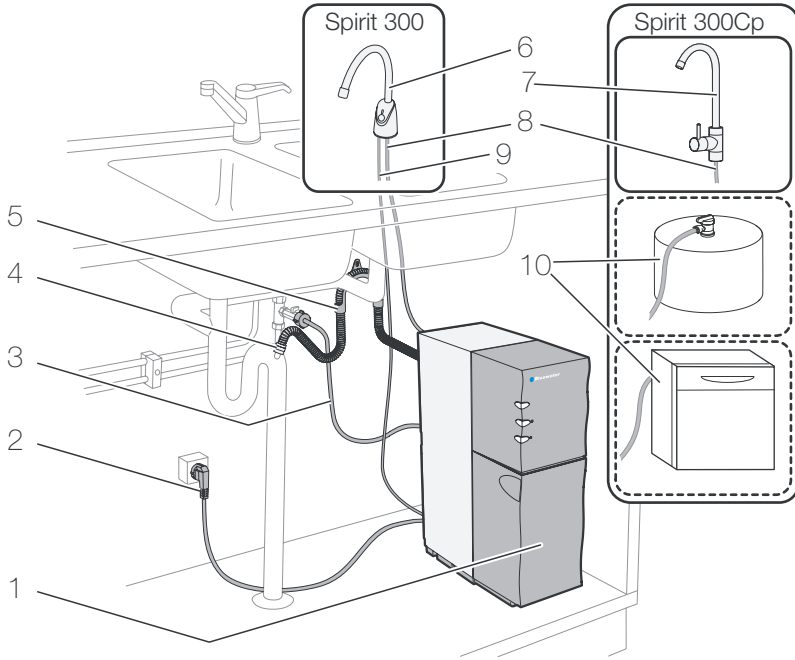


Figure 4. Järjestelmän yleiskuvaus, Spirit-asennuksen esimerkki

Nro	Kuvaus	Nro	Kuvaus
1	Vedenpuhdistuslaite	6	Bluewater-hana
2	Virtajohto	7	Käänteisosmoosille sovitettu hana
3	Tulovesiletku	8	Puhdasvesiletku
4	Poistovesiletku, asennettu ilmapälin kanssa	9	Hanan sähköliitäntä (Spirit 300)
5	Poistovesiletkun kiinnitin	10	Painesäiliö, kodinkone, esimerkiksi astianpesukone

## Asennus



Asennus on tehtävä sovellettavien paikallisten LVI-sääntöjen ja -määrausten mukaisesti.



Liitä vedenpuhdistin ainoastaan kylmän veden syöttöön. Veden on oltava laadultaan riittävä ja sen on täytettävä saapuvaa vettä koskevat vaatimukset.



Suosittelemme vedenpuhdistuslaitteen asennuksen teettämistä valtuutetun Bluewater-jälleenmyyjän suosittelemalla ammattilaisella. Asennusohjeet ovat täydellisessä käyttöohjeessa ja osoitteessa [www.bluewatergroup.com](http://www.bluewatergroup.com).

## Vuotosuojajärjestelmä

Vedenpuhdistuslaitteen pohjassa oleva anturi havaitsee vesivuodot. Vuodon sattuessa tuloveden syöttö keskeytyy. Vedenpuhdistuslaitetta ei voi käynnistää uudelleen, ennen kuin vuoto on korjattu.

# Käyttötarkoitus

Vedenpuhdistuslaite on tarkoitettu puhdistetun veden tuottamiseen. Älä käytä sitä mihinkään muuhun tarkoitukseen. Käyttö muualla kuin kotiympäristössä ja muihin tarkoituksiin kuin veden puhdistamiseen kotitalouskäyttöä varten katsotaan ohjeiden vastaiseksi käytöksi, joka johtaa automaattisesti takuun raukeamiseen.

Elektronisesti ohjattu Spirit 300 on tarkoitettu tuottamaan se vesimäärä, joka kotitaloudessa yleensä tarvitaan ruoanlaittoon ja juotavaksi. Paineohjattu Spirit 300Cp voidaan liittää muihin laitteisiin, kuten astianpesukoneisiin.

## Vedentuotanto

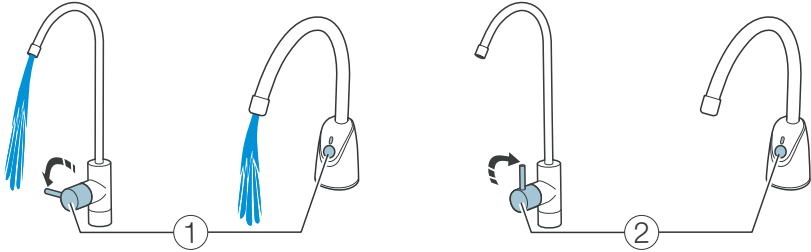


Figure 5. Vedentuotanto päälle/pois

## Automaattinen huuhtelu

Automaattinen huuhtelu suoritetaan, jos jokin alla mainituista ehdoista täyttyy:

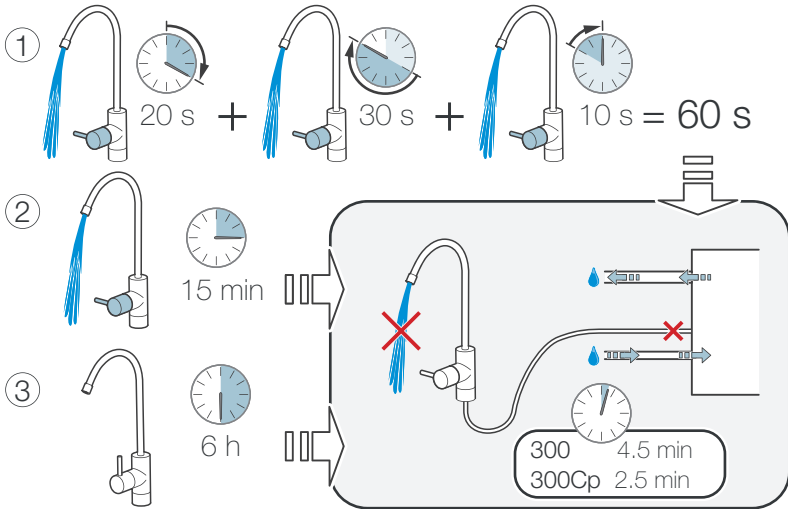


Figure 6. Automaattinen huuhtelu

Nro	Kuvaus
1	Huuhtele veden ottamisen jälkeen. Alle 60 sekunnin mittaiset tuotantojaksot lasketaan yhteen, ja huuhtelu tapahtuu, kun kokonaisvedenottoaika ylittää 60 sekuntia.
2	Huuhtelu maksimikäyttäjän jälkeen 15 minuuttia. Seuraava tuotantojakso voidaan aloittaa heti huuhtelun jälkeen.
3	Vedenpuhdistuslaite valmiustilassa. Spirit on yhdistetty vesi- ja sähköliitäntään, ja edellisestä huuhtelusta on yli 6 tuntia.

# HUOLTO

## Jokapäiväinen huolto

Tarkista merkkivalot

Vaihe	Toimenpide
1	Varmista, ettei FILTER-valo tai SERVICE-valo pala eikä vilku.
2	Varmista, ettei keltainen hanan valo pala eikä vilku. (Spirit 300).

Puhdista vedenpuhdistuslaite



Älä käytä kemikaaleja pinnan puhdistamiseen. Alkoholi, bensiini, orgaaniset ja epäorgaaniset hapot sekä vahvat peruskemikaalit (kuten astianpesuainetiiviste) vaurioittavat pintaa.



Älä käytä vedenpuhdistuslaitteen puhdistamiseen kovia tai teräviä työkaluja.

Vaihe	Toimenpide
1	Puhdista pöly, tahrat ja lika ulkopinnalta pehmeällä ja kostealla liinalla ja miedolla saippualliuoksella.
2	Kuivaa pehmeällä ja kuivalla liinalla.

FI

## Säännöllinen huolto



Säännöllinen kunnossapito on tärkeää oikean ja pitkäaikaisen toiminnan varmistamiseksi. Ainoastaan koulutettu ja hyväksytty henkilökunta saa tehdä kunnossapitotöitä.



Katso ohjeet kunnossapitotöihin täydellisestä käyttöohjeesta osoitteesta [www.bluewatergroup.com](http://www.bluewatergroup.com)

Kunnossapitoväli	Kuvaus
1 kuukausi	Tarkista liittännät Pyyhi tiivistynyt kosteus pois aluslevystä
4-6 kuukautta	Vaihda suodattimet. Vaihda suodattimet 4-6 kuukauden tai 18 925 litran (5 000 gal) puhdistetun vesimäärän jälkeen sen mukaan, kumpi näistä täytyy ensin
6 kuukautta*	Poista kattilakivi
1 vuosi	Testaa vesi joka vuosi. Jos vesi ei ole puhdasta, älä juo sitä. Ota yhteyttä Bluewaterin jälleenmyyjään.
3-5 vuotta*	Vaihda käänteisosmoosikalvo

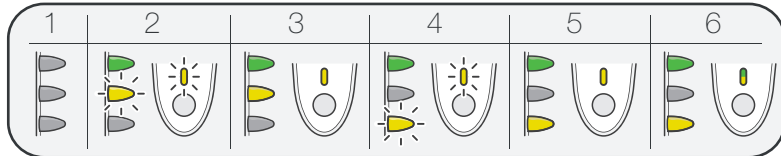
\*Tiheys riippuu veden laadusta ja käytöstä

# VIANMÄÄRITYS

## Yksinkertaisten ongelmien ratkaiseminen



Hae apua vakavampiin ongelmiin täydellisestä käyttöohjeesta osoitteesta [www.bluewatergroup.com](http://www.bluewatergroup.com)



Oire	Syy	Ratkaisu
1 Virtvalo (ON) ei pala.	Vedenpuhdistuslaitetta ei ole kytketty virtalähteeseen. Spirit 300: Hanakaapelia ei ole kytketty.	Liitä vedenpuhdistuslaite virtalähteeseen. Spirit 300: Varmista, että hanakaapeli ja liitin on kytketty.
2 Filter-valo vilkkuu, ja hanan keltainen valo vilkkuu.	Suodatin on vaihdettava.	Katso täydellistä käyttöohjetta.
3 Filter-valo palaa, ja hanan keltainen valo palaa.	Vedenpuhdistuslaite on pysähtynyt. Suodatin on vaihdettava.	Katso täydellistä käyttöohjetta.
4 Service-valo vilkkuu, ja hanan keltainen valo vilkkuu.	Veden laatu on heikentynyt, mutta veden juominen on turvallista. Vedenpuhdistuslaite pysähtyy pian, ks. 5.	Ota yhteyttä Bluewaterin kalvon vaihtamista varten.
5 Service-valo palaa, ja hanan keltainen valo palaa.	Vedenpuhdistuslaite on pysähtynyt. Järjestelmään on päässyt ilmaa suodattimen vaihdosta johtuen. Vedenpuhdistuslaite on pysähtynyt. Puhtaan veden laatu on heikentynyt liikaa.	Irrota vedenpuhdistuslaite pistorasiasta. Kytke se uudelleen. Anna vedenpuhdistuslaitteen tehdä automaattinen huuhdelu. Ota yhteyttä Bluewaterin kalvon vaihtamista varten.
6 Service-valo palaa, ja hanan keltainen ja vihreä valo palavat.	Vedenlaatumittari ei toimi.	Ota yhteyttä Bluewaterin jälleenmyyjään.
Vedenpuhdistuslaitteesta kuuluu ääntä, koska vedenpaine ei ole riittävä.	Tulopaine on käytön aikana alle 1,5 bar. Riittä on tukossa. Suodatin on tukossa.	Ota yhteyttä Bluewaterin jälleenmyyjään. Katso täydellistä käyttöohjetta Katso täydellistä käyttöohjetta
Vedenpuhdistuslaite ei käynnisty.	Vedenpuhdistuslaite huuhdelee vettä. Yliuutosuojajärjestelmä on aktivoitunut. Spirit 300: Hanakaapelia ei ole kytketty.	Odot 5 minuuttia. Irrota vedenpuhdistuslaite pistorasiasta, ja puhdista aluslevy. Jos yliuutosuoja aktivoituu uudelleen, ota yhteyttä Bluewaterin jälleenmyyjään. Spirit 300: Varmista, että hanakaapeli ja liitin on kytketty.
Spirit 300: Hanan valo ei pala.	Elektronisessa hanassa on toimintahäiriö. Hanakaapelia ei ole kytketty.	Ota yhteyttä Bluewaterin jälleenmyyjään. Varmista, että hanakaapeli ja liitin on kytketty.
Virtausnopeus puhtasvesihanasta on alhainen.	Vedenpuhdistuslaitteesta on poistettava kattilakivi. Puhdasvesiletku on tiukalla tai jumissa.	Katso täydellistä käyttöohjetta. Varmista, että puhdasvesiletku pääsee liikkumaan vapaasti.
Puhdasvesihanasta ei tule vettä.	Tuloveden sulkuventtiili on kiinni.	Avaa tuloveden sulkuventtiili.
Vesi haisee pahalle.	Vedessä on mikrobikasvua, koska vedenpuhdistuslaitteen edellisestä käyttökerrasta on ainakin viikko.	Katso täydellistä käyttöohjetta

# Innhold

SIKKERHET .....	94
Sikkerhetsanvisninger .....	94
Sikkerhetsinformasjon .....	94
PRODUKTOVERSIKT .....	95
Spirit utvendig .....	95
Spirit innvendig - enheten og utskiftbare deler .....	96
Teknisk informasjon .....	96
Produktets funksjon .....	97
SYSTEMOVERSIKT .....	98
Systembeskrivelse .....	98
Installasjon .....	98
Lekkasjebeskyttelsessystem .....	98
Tiltent bruk .....	99
Vannproduksjon .....	99
VEDLIKEHOLD .....	100
Daglig vedlikehold .....	100
Regelmessig vedlikehold .....	100
FEILSØKING .....	101
Løse enkle problemer .....	101

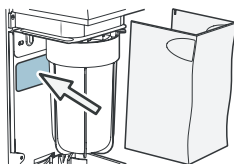
NO

## Kundeservice

Se "Feilsøking" for å løse mindre problemer før du kontakter service. Hvis du trenger ekstern kundestøtte, kan det medføre kostnader.

Pass på at du har følgende opplysninger (finnes på spesifikasjonsskiltet bak filteret) tilgjengelig når du ringer Bluewater:

- Modell
- Produktnummer
- Serienummer



## Miljøinformasjon



80 % av komponentene i vannrenseren og emballasjen er merket for å bidra til riktig resirkulering og kassering. Vannrenseren er mer effektiv når den renser vann i lengre perioder. Eksempel: Ikke fyll et glass med vann. Fyll en mugge i stedet.



Apparater som er merket med dette symbolet må leveres til godkjente returpunkter for kassering av elektrisk og elektronisk utstyr. Dette produktet må ikke kasseres som vanlig husholdningsavfall.

# SIKKERHET

## Sikkerhetsanvisninger

Les sikkerhetsinformasjonen før du installerer eller bruker apparatet. Følg instruksjonene i denne bruksanvisningen for å forebygge personskade og skade på utstyret. I denne bruksanvisningen er FORSIKTIG og MERKNAD brukt til å markere punkter som angår sikker bruk av apparatet.



**FORSIKTIG** identifiserer betingelser som kan forårsake personskade eller skade på utstyret. Følg instruksjonene, og ikke fortsett før alle betingelser er godtatt og aktivert.



En Merknad identifiserer viktig informasjon for problemfri og optimal bruk av vannrenseren.

## Sikkerhetsinformasjon



Ikke drikk vannet når servicelampen viser at det ikke er rent. Oppbevar vann i rustfrie beholdere.



Dette apparatet kan brukes av barn over 8 år. Det kan også brukes av personer med reduserte fysiske, sensoriske eller mentale evner eller mangel på erfaring eller kunnskap, hvis de er under tilsyn eller har fått instruksjoner om sikker bruk av apparatet og forstår farene som bruken medfører.



Ikke reparer eller utfør endringer på deler av vannrenseren. Dette kan føre til at den ikke fungerer som den skal, og kan føre til personskade og skade som ikke dekkes av garantien.



Spirit er et omvendt osmose-system. Det inneholder en utskiftbar membran som er svært viktig for effektiv reduksjon av totalt oppløste faste stoffer (TDS). Membranen må skiftes regelmessig.



Bare autorisert personale hos Bluewater kan utføre service og reparasjoner på vannrenseren. Bruk kun originale patroner og deler fra Bluewater. Du finner reservedelskatalog og kontaktinformasjon for kjøp på [www.bluewatergroup.com](http://www.bluewatergroup.com).



Vannet som skal renses må oppfylle kravene i "Teknisk informasjon". Test vannet årlig. Hvis vannet ikke er rent eller hvis det smaker eller lukter ubehagelig, må det ikke drikkes.



Installasjonen må utføres i henhold til gjeldende praksis og bestemmelser for rørleggerarbeid.



Koble vannrenseren til en jordet strømforsyning. Bruk et støpsel som er lett tilgjengelig etter installasjon. Permanent ledningsarbeid på systemet skal kun utføres av autoriserte elektrikere. Det må monteres en sikkerhetsbryter på systemet. Feil installasjon kan føre til skade eller til at det blir farlig å bruke vannrenseren.



Bruk ikke strømledningen hvis det er synlige tegn på skader på den. Hvis strømledningen er skadet, må den skiftes av en autorisert elektriker for å unngå fare.



Hvis vannrenseren kobles fra vann- og strømforsyningen i mer enn en uke, må den lagres som beskrevet i den fullstendige brukermanualen "Lagring".

# PRODUKTOVERSIKT

Modell	Spirit 300	Elektronisk styrt	Bluewater vannkran
	Spirit 300Cp	Trykkregulert, kompatibel med husholdningsapparater	Vannkran tilpasset for omvendt osmose

## Spirit utvendig

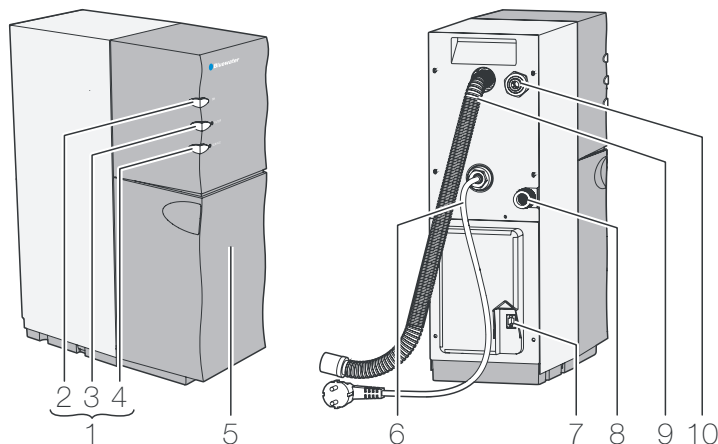


Figure 1. Spirit utvendig

Pos	Beskrivelse	Pos	Beskrivelse
1	Kontrollpanel	6	Strømledning
2	ON-lampe	7	Elektrisk tilkobling for vannkran (Spirit 300)
3	Filter-lampe	8	Vanntilførselskobling med filtersil
4	Service-lampe	9	Tappevannslange
5	Frontdeksel	10	Tilkobling for rent vann

## Kontrollpanel

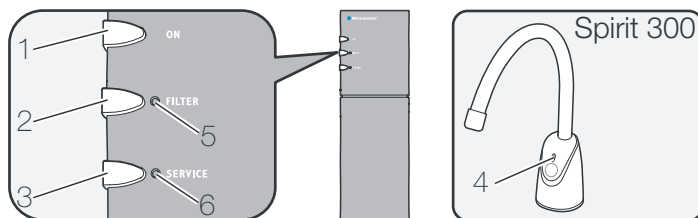


Figure 2. Kontrollpanel

Pos	Lampe	Beskrivelse	Pos	Beskrivelse
1	ON	Vannrenseren er tilkoblet og fungerer som den skal.	5	FILTER-knapp
2	FILTER-lampe	Blinker: Vannrenseren er i drift. Filteret må skiftes. På: Vannrenseren har stoppet. Filteret må skiftes.	6	SERVICE-knapp
3	SERVICE-lampe	Blinker: Redusert vannkvalitet. På: Vannrenseren har stoppet. Vannkvaliteten er redusert.		
4	Lamper på vannkranen Spirit 300 Spirit 300Cp ikke aktuelt	Grønn: Indikerer god vannkvalitet (dette kan ta opptil 120 sekunder). Gul: Blinker: Noe er galt. Se på kontrollpanelet. Gul: På: Vannrenseren har stoppet. Vannkvaliteten er redusert.		

# Spirit innvendig - enheten og utskiftbare deler

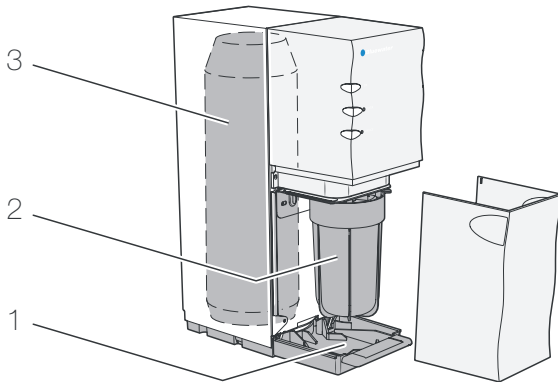


Figure 3. Spirit innvendig

Pos	Beskrivelse	Art.-nr.	Pos	Beskrivelse	Art.-nr.
1	Bunnplate		3	Omvendt osmose-membran	
				Membranservicesett, type HR (High Rejection)	155007301-SP
				Membranservicesett, type HF (High Flow)	150759380-SP
2	Forfilter, kullfilter, granulert	919240004			

## Teknisk informasjon



Mer teknisk informasjon er tilgjengelig på [www.bluewatergroup.com](http://www.bluewatergroup.com)

Parameter/modell	Spirit 300	Spirit 300Cp
Mål BxDxH [mm (")]	150x365x462 (5.9x14.3x18.2)	150x365x462 (5.9x14.3x18.2)
Vekt [kg (lbs)]	15 (33)	15 (33)
Strømforsyning, jordet tilkobling	230V 50-60 Hz, 10A	230V 50-60 Hz, 10A
Strømforsyning, jordet tilkobling US	120V 60Hz, 10A	120V 60Hz, 10A
Effekt (US)	350W (3Amps)	350W (3Amps)
Renset vann, flytmengde	3380 liter/dag	2520 liter/dag
Støynivå (installert i skap under servant)	< 60 dB(A)	< 60 dB(A)
Vannkran med indikatorlampe for vannkvalitet	✓	N/A



Må ikke brukes med vann som er mikrobiologisk usikkert eller av ukjent kvalitet uten tilstrekkelig desinfeksjon før eller etter systemet.



Skal bare kobles til kaldtvann. Temperaturgrensene er angitt i tabellen "Krav til vanntilførselen til vannrenseren"



## Krav til vanntilførselen til vannrenseren

Beskrivelse	Spirit 300	Spirit 300Cp
Trykk [flytbar (psi)]	1.5-10 (22-145)	1.5-10 (22-145)
Vannmengde [l/min (gal/min)]	> 6 (1.6)	> 6 (1.6)
TDS (Total dissolved solids) [mg/l (ppm)]	< 1200	< 1200
Tilkobling [ $\mu$ S/cm, 25 °C (77 °F)]	< 1600	< 1600
Temperatur [°C (°F)]	2-35 (36-95)	2-35 (36-95)
Hardhet [°dH (grains/gallon)]	< 10 (< 10.4)	<10 (<10.4)
Jern Fe <sup>II</sup> /Fe <sup>III</sup> [mg/l (ppm)]	< 0.5/< 0.3	< 0.5/< 0.3
Turbiditet [FNU]	< 0.5	< 0.5

## Produktets funksjon



Gold Seal beviser at denne Bluewater-vannrenseren er uavhengig testet og sertifisert i henhold til NSF/ANSI 58 og CSA-standarden B483.1. WQA sertifiserer produktets funksjon og kontrollerer fabrikken for å sikre produktenes konsistens og integritet.

NO

Bluewater Spirit vannrenser er testet i henhold til NSF/ANSI 58 for reduksjon av totalt oppløste faste stoffer (TDS).

Konsentrasjonen av TDS i vannet som kommer inn i systemet er redusert til en konsentrasjon som er lik eller lavere enn den tillatte grensen for vannet som kommer ut av systemet, som spe-sifisert i NSF/ANSI 58.

Se flere detaljer i produktdatabladet på [www.bluewatergroup.com](http://www.bluewatergroup.com).

# SYSTEMOVERSIKT

## Systembeskrivelse

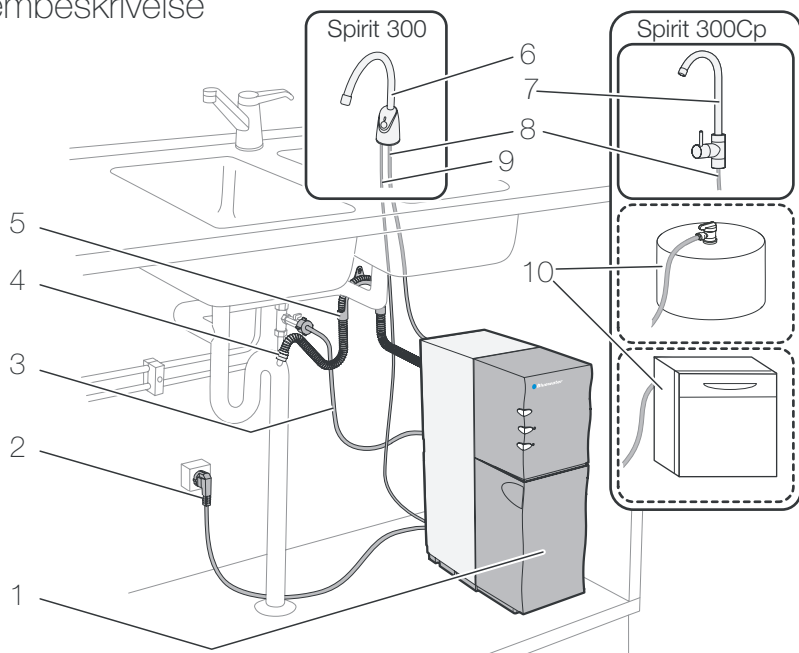


Figure 4. Systemoversikt, et eksempel på en Spirit-installasjon

Pos	Beskrivelse	Pos	Beskrivelse
1	Vannrenser	6	Bluewater vannkran
2	Strømledning	7	Vannkran tilpasset for omvendt osmose
3	Vannforsyningslange	8	Slange for renset vann
4	Tappevannslange, installert med vannlås	9	Elektrisk tilkobling for vannkran (Spirit 300)
5	Brakett for tappevannslange	10	Trykktank, husholdningsapparat, f.eks. oppvaskmaskin.

## Installasjon



Installasjonen må utføres i henhold til gjeldende praksis og bestemmelser for rørleggerarbeid.



Vannrenseren skal bare kobles til kaldtvann. Vannet må være av tilstrekkelig kvalitet og oppfylle kravene til tilførselsvann.



Vi anbefaler at vannrenseren installeres av en fagperson som er anbefalt av en autorisert Bluewater-forhandler.

Installasjonsanvisning er tilgjengelig i den fullstendige brukermanualen på [www.bluewatergroup.com](http://www.bluewatergroup.com).

## Lekkasjebeskyttelsessystem

En føler nederst på vannrenseren registrerer eventuell vannlekkasje. Hvis en lekkasje oppstår, stoppes vanntilførselen. Vannrenseren kan ikke startes igjen før lekkasjen er reparert.

# Tiltenkt bruk

Vannrenseren er ment for fremstilling av rensset vann. Den må ikke brukes til andre formål. All bruk unntatt innendørs boligmiljø og til andre formål enn vannrensing til husholdningsbruk regnes som ikke tiltenkt bruk, og fører automatisk til at garantien blir ugyldig. Den elektronisk styret Spirit 300 er ment for å produsere den mengden vann som normalt kreves til matlaging og drikkevann i en husholdning. Den trykkregulerte Spirit 300Cp kan kobles til andre apparater, for eksempel oppvaskmaskin.

## Vannproduksjon

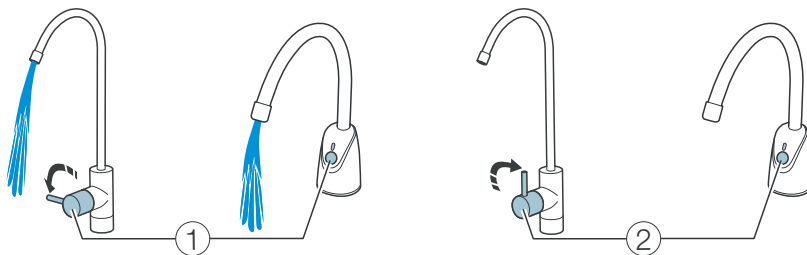


Figure 5. Vannproduksjon på/av

## Automatisk spyling

En automatisk spyling utføres hvis én av betingelsene nedenfor er oppfylt:

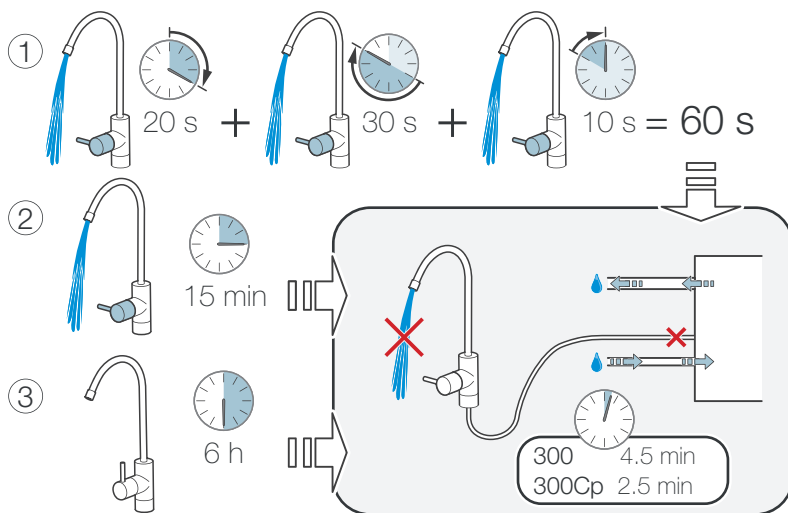


Figure 6. Automatisk spyling

Pos	Beskrivelse
1	Spyling etter tappning av vann. Produksjonssykluser på mindre enn 60 sekunder legges sammen, og spyling finner sted når den totale tappetiden overstiger 60 sekunder.
2	Spyling etter maksimal driftstid 15 minutter. Neste produksjonssyklus kan startes umiddelbart etter ferdig spyling.
3	Vannrenser i ventemodus. Spirit er tilkoblet vannforsyning og strøm, og hvis det er mer enn 6 timer siden siste spyling.

# VEDLIKEHOLD

## Daglig vedlikehold

### Kontroller indikatorlampene

Trinn	Tiltak
1	Kontroller at filterlampen og servicelampen ikke lyser eller blinker.
2	Kontroller at den gule lampen på vannkranen ikke er på eller blinker. (Spirit 300).

### Rengjøre vannrenseren



Bruk ikke kjemikalier til å rengjøre overflaten. Alkohol, bensin, organisk eller uorganisk syre, sterkt basiske kjemikalier (for eksempel konsentrert oppvaskmiddel) forårsaker skade på overflaten.



Bruk ikke harde eller skarpe redskaper til å rengjøre vannrenseren.

Trinn	Tiltak
1	Rengjør den utvendige overflaten med en myk, fuktig klut og en mild såpeoppløsning for å fjerne støv, flekker og smuss.
2	Tørk med en myk, tørr klut.

## Regelmessig vedlikehold



Regelmessig vedlikehold er viktig for at apparatet skal fungere som det skal og for lang levetid. Vedlikehold skal kun utføres av kvalifiserte og autoriserte personer.



Se instruksjoner for vedlikehold i den fullstendige brukermanualen på [www.bluewatergroup.com](http://www.bluewatergroup.com)

Hyppighet	Beskrivelse
1 måned	Kontroller tilkoblinger Tørk kondens bort fra bunnplaten
4-6 måneder	Skift filterne. Skift filterne etter 4-6 måneder eller 18 925 liter (5000 gallons) med rensset vann, avhengig av hva som inntreffer først.
6 måneder*	Avkalking
1 år	Test vannet årlig. Ikke drikk vannet hvis det ikke er rent. Kontakt en Bluewater-forhandler.
3-5 år*	Skift omvendt osmose-membranen

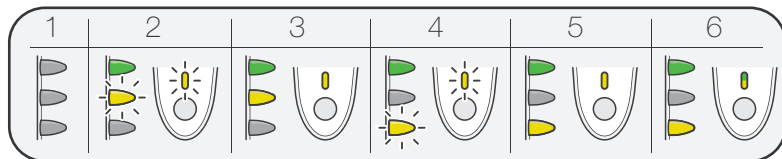
\*Hyppighet avhenger av vannkvalitet og bruk

# FEILSØKING

## Løse enkle problemer



Se den fullstendige brukermanualen på [www.bluewatergroup.com](http://www.bluewatergroup.com) ved mer alvorlige problemer



Symptom	Årsak	Løsning
1 ON-lampen er ikke på.	Vannrenseren er ikke tilkoblet strøm.	Koble vannrenseren til strømforsyning.
	Spirit 300: Kabelen til kranen er ikke tilkoblet.	Spirit 300: Sørg for at kabelen til kranen og kontakten er tilkoblet.
2 Filter-lampen blinker og den gule lampen på vannkranen blinker.	Filteret må skiftes.	Se den fullstendige brukermanualen
3 Filter-lampen er tent og den gule lampen på vannkranen er på.	Vannrenseren har stoppet. Filteret må skiftes.	Se den fullstendige brukermanualen
4 Service-lampen blinker og den gule lampen på vannkranen blinker.	Vannkvaliteten er redusert, men det er trygt å drikke vannet. Vannrenseren stopper snart, se 5.	Kontakt Bluewater for å få skiftet membranen.
5 Service-lampen er tent og den gule lampen på vannkranen er på.	Vannrenseren har stoppet. Det har kommet luft inn i systemet ved utskifting av filter.	Koble vannrenseren fra strømforsyningen. Koble den til igjen. La vannrenseren foreta en automatisk spyling.
	Vannrenseren har stoppet. Kvaliteten på det rensede vannet er blitt for lav.	Kontakt Bluewater for å få skiftet membranen.
6 Service-lampen er tent, og den gule og den grønne lampen på vannkranen er tent.	Vannkvalitetsmåleren fungerer ikke.	Kontakt Bluewater-forhandleren.
Vannrenseren lager støy fordi det ikke er tilstrekkelig vanntrykk.	Inntakstrykket er lavere enn 1,5 bar under drift.	Kontakt Bluewater-forhandleren.
	Filtersilen er tett.	Se den fullstendige brukermanualen
	Filteret er tett.	Se den fullstendige brukermanualen
Vannrenseren starter ikke.	Vannrenseren spylar vann.	Vent 5 minutter.
	Oversvømmingsbeskyttelsen er aktivert.	Koble vannrenseren fra strømforsyningen og rengjør bunnplaten Hvis oversvømmingsbeskyttelsen aktiveres igjen, kontakter du Bluewater-forhandleren.
	Spirit 300: Kabelen til kranen er ikke tilkoblet.	Spirit 300: Sørg for at kabelen til kranen og kontakten er tilkoblet.
Spirit 300: Lyset på kranen er ikke tent.	Det er et problem med den elektroniske kranen.	Kontakt Bluewater-forhandleren.
	Kabelen til kranen er ikke tilkoblet.	Sørg for at kabelen til kranen og kontakten er tilkoblet.
Vannmengden fra kranen for rensat vann er lav.	Vannrenseren må avkalles.	Se den fullstendige brukermanualen
	Slangen for rensat vann er belastet eller ligger i klem.	Kontroller at slangen for rensat vann kan beveges fritt.
Det kommer ikke vann ut av kranen for rensat vann.	Lukkeventilen for vanntilførsel er lukket.	Åpne lukkeventilen for vanntilførsel.
Vannet lukter ubehagelig.	Mikrobevekst i vannet på grunn av at vannrenseren ikke er brukt på en uke eller mer.	Se den fullstendige brukermanualen

NO

# Indhold

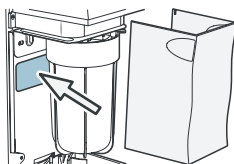
SIKKERHED .....	103
Sikkerhedsforskrifter .....	103
Sikkerhedsoplysninger .....	103
PRODUKTOVERSIGT .....	104
Spirit set udefra .....	104
Spirit set indefra og udskiftningskomponenter .....	105
Tekniske oplysninger .....	106
SYSTEMOVERSIGT .....	107
Systembeskrivelse .....	107
Installation .....	107
Lækagebeskyttelsessystem .....	107
Anvendelsesformål .....	108
Vandproduktion .....	108
VEDLIGEHOLDELSE .....	109
Daglig vedligeholdelse .....	109
Regelmæssig vedligeholdelse .....	109
FEJLFINDING .....	110
Sådan løses ukomplicerede problemer .....	110

## Kundeservice

Der henvises til "Fejlfinding" for at løse mindre problemer, før du ringer til kundeservice. Hvis du har brug for ekstern service, kan det koste penge.

Sørg for at have følgende data (som du finder på datapladen bag filteret) klar, når du ringer til Bluewater.

- Model
- Varenr.
- Serienr.



## Miljøoplysninger



80 % af vandrenserens komponenter og emballagen er udstyret med et mærkat med oplysninger om korrekt genbrug og bortskaffelse. Vandrenseren er mere effektiv, når den renser vand i længere perioder. Eksempel: Fyld ikke kun et enkelt glas med vand. Fyld en kande.



Apparater, der er udstyret med dette symbol, skal bortskaffes på det angivne lokale modtagelsessted til bortskaffelse af elektrisk og elektronisk udstyr.

Dette produkt må ikke bortskaffes sammen med normalt husholdningsaffald.

# SIKKERHED

## Sikkerhedsforskrifter

Før du installerer eller bruger enheden, skal du læse sikkerhedsoplysningerne. Følg instruktionerne i denne vejledning for at forhindre personskade eller skader på udstyret. Denne vejledning indeholder FORSIGTIG-mærkninger og BEMÆRKNINGER, der gælder sikker drift af enheden.



En FORSIGTIG-mærkning angiver forhold, der kan forårsage personskade eller skade på udstyret. Følg instruktionerne, og fortsæt ikke, før alle forhold er accepteret og overholdt.



En BEMÆRKNING angiver oplysninger, der er vigtige i forhold til problemfri og optimal brug af vandrenseren.

## Sikkerhedsoplysninger



Drik ikke vandet, når Service Light viser, at det ikke er rent. Opbevar vand i beholdere, der er korrosionsbestandige.



Dette apparat kan anvendes af børn over 8 år. Det kan også anvendes af personer med nedsatte fysiske, sansemæssige eller mentale evner eller manglende erfaring og viden, hvis de er under opsyn eller er blevet instrueret i sikker brug af apparatet og forstår de farer, det indebærer.



Undlad at reparere eller ændre dele af vandrenseren. Det kan bevirke, at den ikke fungerer korrekt og kan medføre personskade og skader, der ikke er dækket af garantien.



Spirit er et omvendt osmose-system. Det indeholder en udskiftelig membran, som er meget vigtig for en effektiv reduktion af TDS (renhedsgraden). Udskift denne membran med jævne mellemrum.



Service og reparation af vandrenseren må kun udføres af autoriserede Bluewater-medarbejdere. Anvend kun originale patroner og reservedele fra Bluewater. Se [www.bluewatergroup.com](http://www.bluewatergroup.com) for reservedelskataloget og kontaktoplysninger vedrørende.



Det vand, der skal renses, skal overholde kravene i "Tekniske oplysninger". Test vandet en gang om året. Undlad at drikke vandet, hvis det ikke er rent, eller hvis det smager eller lugter dårligt.



Installationen skal overholde de gældende lokale regler og forskrifter for VVS-installationer.



Slut vandrenseren til en jordforbundet elforsyning. Brug et stik, der er nem adgang til efter installation. Permanent ledningsføring af systemet må kun udføres af en autoriseret elektriker. Der skal være installeret en sikkerhedsafbryder på systemet. Forkert installation kan resultere i skader eller at vandrenseren bliver farlig at bruge.



Anvend ikke strømledningen, hvis den har synlige tegn på skader. Hvis strømledningen er beskadiget, skal en autoriseret elektriker udskifte den for at undgå fare.



Hvis vandrenseren frakobles vand og el i over en uge, skal den opbevares som beskrevet under "Opbevaring" i vores Complete User Manual.

DA

# PRODUKTOVERSIGT

Model	Spirit 300	Elektronisk styret	Bluewater-hane
	Spirit 300Cp	Trykstyret, kompatibel med husholdningsapparater	Hane, der er tilpasset til omvendt osmose

## Spirit set udefra

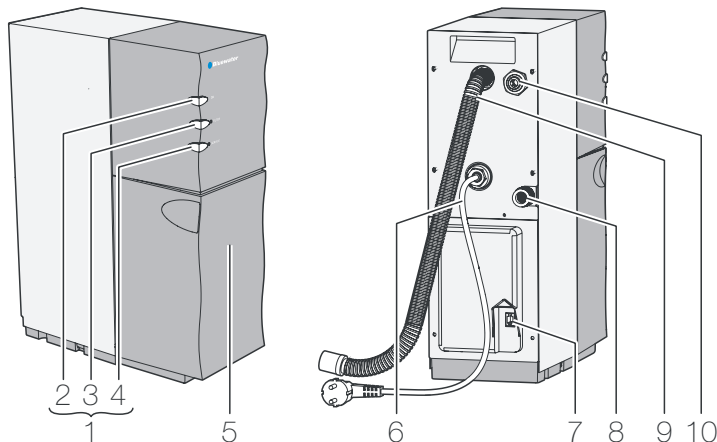


Figure 1. Spirit set udefra

Pos.	Beskrivelse	Pos.	Beskrivelse
1	Kontrolpanel	6	Strømledning
2	Lydindikatoren ON	7	Etilslutning til hane (Spirit 300)
3	Lysindikatoren FILTER	8	Fødevandstilslutning med netfilter
4	Lysindikatoren SERVICE	9	Afledningsvandslange
5	Frontdæksel	10	Tilslutning til rent vand

## Kontrolpanel

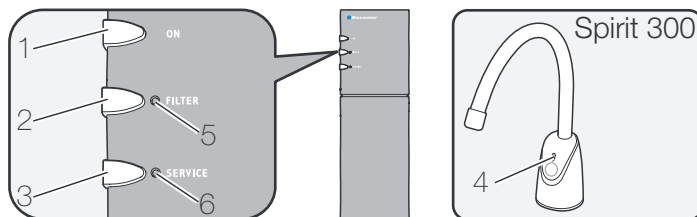


Figure 2. Kontrolpanel

Pos.	Lysindikator	Beskrivelse	Pos.	Beskrivelse
1	ON	Vandrenseren er tilsluttet og fungerer korrekt.	5	Knappen FILTER
2	Lysindikatoren FILTER	Blinker Lyser	6	Knappen SERVICE
3	Lysindikatoren SERVICE	Blinker Lyser		
4	Lysindikatorer på hane Spirit 300 Spirit 300Cp Ikke relevant	Grøn Gul Gul		Angiver god vandkvalitet (det kan tage op til 120 sekunder). Blinker: Der er noget galt. Se på kontrolpanelet. Lyser: Vandrenseren er standset, vandkvaliteten er reduceret.



## Spirit set indefra og udskiftningskomponenter

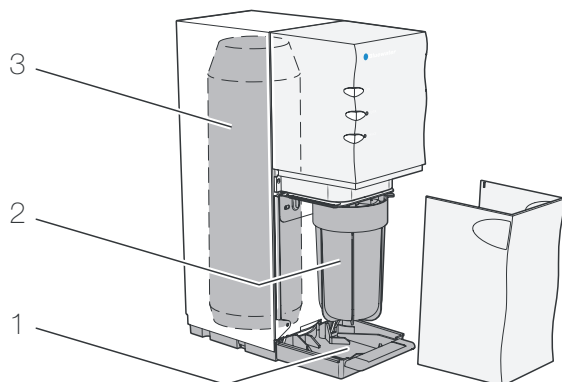


Figure 3. Spirit set indefra

Pos.	Beskrivelse	Artikelnr.	Pos.	Beskrivelse	Artikelnr.
1	Bundplade		3	Omvendt osmose-membran	
				Servicekit til membran, HR-type (High Rejection)	155007301-SP
				Servicekit til membran, HF-type (High Flow)	150759380-SP
2	Forfilter, kulfilter, granuleret	919240004			

DA

## Tekniske oplysninger



For mere detaljerede tekniske oplysninger henvises der til [www.bluewatergroup.com](http://www.bluewatergroup.com)

Parameter/model	Spirit 300	Spirit 300Cp
Størrelse BxDxH [mm (")]	150x365x462 (5.9x14.3x18.2)	150x365x462 (5.9x14.3x18.2)
Vægt [kg (lbs)]	15 (33)	15 (33)
Strømforsyning, jordet Strømforsyning, jordet US	230V 50-60 Hz, 10A 120V 60Hz, 10A	230V 50-60 Hz, 10A 120V 60Hz, 10A
Effekt (US)	350W (3Amps)	350W (3Amps)
Flowhastighed for rensat vand	4059 l/dag	3027 l/dag
Lydniveau (installeret i skab under vask)	< 60 dB(A)	< 60 dB(A)
Håne med lysindikatorer for vandkvalitet	✓	N/A



Må ikke bruges med vand, som ikke er mikrobiologisk sikkert, eller der er af en ukendt kvalitet, uden tilstrækkelig desinficering før eller efter systemet.



Slut kun til koldtvandsforsyningen. Temperaturgrænserne findes i tabellen "Krav til fødevand til vandrenser"

## Krav til fødevand til vandrensere

Beskrivelse	Spirit 300	Spirit 300Cp
Tryk [flydende bar (psi)]	1.5-10 (22-145)	1.5-10 (22-145)
Vandflow [l/min (gal/min)]	> 6 (1.6)	> 6 (1.6)
TDS (renhedsgrad) [mg/l (ppm)]	< 1200	< 1200
Ledningsevne [ $\mu$ S/cm, 25 °C (77 °F)]	< 1600	< 1600
Temperatur [°C (°F)]	2-35 (36-95)	2-35 (36-95)
Hårdhed [°dH (grains/gallon)]	< 10 (< 10.4)	<10 (<10.4)
Jern Fe <sup>II</sup> /Fe <sup>III</sup> [mg/l (ppm)]	< 0.5/< 0.3	< 0.5/< 0.3
Uklarhed [FNU]	< 0.5	< 0.5

## Produktdeevne



WQA Gold Seal beviser, at Bluewater-vandrenseren er blevet uafhængigt testet og er certificeret i henhold til NSF/ANSI 58 og CSA Standard B483.1. WQA certificerer produktdeevnen og gennemgår produktionsan-lægget og -procedurene for at sikre produktets pålidelighed og integritet.

Bluewater Spirit-vandrenseren er testet i henhold til NSF/ANSI 58 for reduktion af TDS (renheds-graden).

Koncentrationen af TDS i vandet, der kom ind i systemet, blev reduceret til en koncentration, som var mindre end eller lig med den tilladte grænse for vand, der forlader systemet, som speci-ficeret i NSF/ANSI 58.

Se databladet for ydeevne på [www.bluewatergroup.com](http://www.bluewatergroup.com) for yderligere oplysninger.

# SYSTEMOVERSIGT

## Systembeskrivelse

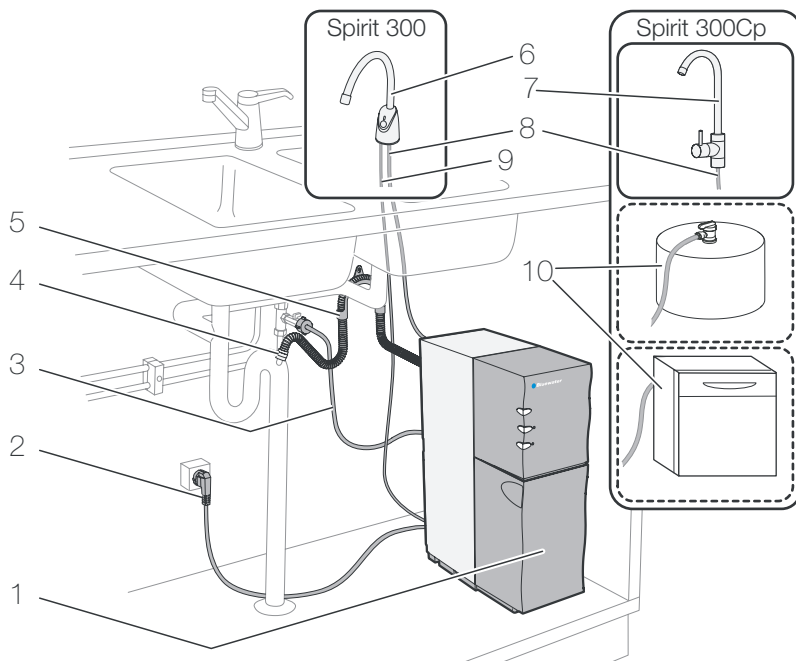


Figure 4. Systemoversigt – et eksempel på en Spirit-installation

Pos.	Beskrivelse	Pos.	Beskrivelse
1	Vandrenser	5	Beslag til afledningsvandsslange
2	Strømføring	6	Rentvandshane
3	Fødevandsslange	7	Rentvandsslange
4	Afledningsvandsslange	8	Eltilslutning til hane (Spirit 300)

## Installation



Installationen skal overholde de gældende lokale regler og forskrifter for VVS-installationer.



Slut kun vandrenseren til koldt vandforsyningen. Vandet skal være af en tilstrækkelig kvalitet og leve op til kravene for fødevand.



Vi anbefaler, at vandrenseren installeres af en professionel, som er anbefalet af en autoriseret Bluewater-forhandler. Installationsanvisninger findes i vores Complete User Manual og på [www.bluewatergroup.com](http://www.bluewatergroup.com).

## Lækagebeskyttelsessystem

En føler i bunden af vandrenseren registrerer vandlækager. Hvis der er en lækage, standses fødevandsforsyningen. Vandrenseren kan ikke startes igen, før lækagen er repareret.

# Anvendelsesformål

Vandrenseren er beregnet til at producere rensat vand. Apparatet må ikke anvendes til noget andet formål. Enhver form for anvendelse udover i et indendørs miljø i hjemmet og til formål udover rensning af vand til husholdningsbrug, betragtes som utilsigtet anvendelse og vil automatisk medføre bortfald af garantien.

Den elektronisk styrede Spirit 300 er beregnet til produktion af den mængde vand, der normalt kræves til madlavning og drikkevand i en husstand. Den trykstyrede Spirit 300Cp kan tilsluttes andre enheder, eksempelvis opvaskemaskiner.

## Vandproduktion

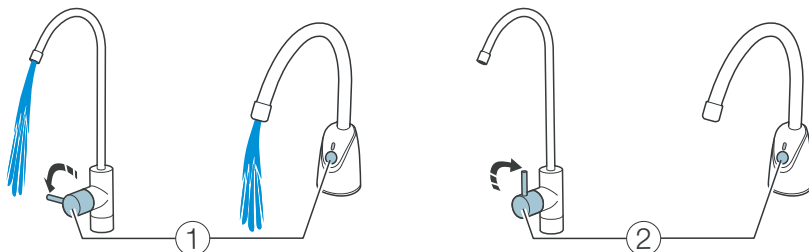


Figure 5. Vandproduktion til/fra

## Automatisk skylning

Der vil blive udført en automatisk skylning, hvis en af følgende betingelser er opfyldt:

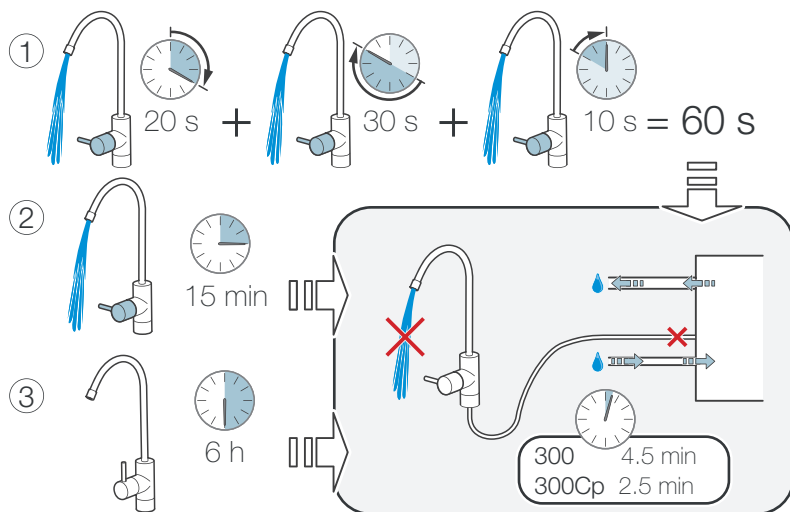


Figure 6. Automatisk skylning

Pos.	Beskrivelse
1	Skylning efter tapning af vand. Produktionscyklusser under 60 sekunder sammenlægges, og skylning foretages, når den samlede tapningstid overstiger 60 sekunder.
2	Skylning efter maks. driftstid på 15 minutter. Næste produktionscyklus kan startes, så snart skylning er udført.
3	Vandrenseren er i standbytilstand. Spirit er tilsluttet vand og strøm, og der er gået mere end seks timer siden sidste skylning.

# VEDLIGEHOJDELSE

## Daglig vedligeholdelse

### Kontrol af lysindikatorer

Trin	Handling
1	Kontrollér, at hverken filter- eller servicelysindikatorer lyser eller blinker.
2	Kontrollér, at den gule lysindikator på hanen hverken lyser eller blinker (Spirit 300).

### Rengøring af vandrenseren



Undlad at bruge kemikalier til rengøring af overfladen. Sprit, benzin, organiske og uorganiske syrer, stærke basiske kemikalier (såsom koncentreret opvaskemiddel) vil forårsage skader på overfladen.



Undlad at bruge hårde eller skarpe genstande til rengøring af vandrenseren.

Trin	Handling
1	Rengør den udvendige overflade med en blød, fugtig klud og en svag sæbeopløsning for at fjerne støv, pletter og snavs.
2	Rengør med en blød, tør klud.

## Regelmæssig vedligeholdelse

DA



Regelmæssig vedligeholdelse er vigtig for at opretholde korrekt funktion og lang levetid. Vedligeholdelsen må kun udføres af uddannet og autoriseret personale.



For anvisninger vedr. vedligeholdelse henvises der til vores Complete User Manual på [www.bluewatergroup.com](http://www.bluewatergroup.com)

Hyppighed	Beskrivelse
1 måned	Kontrollér tilslutninger Tør evt. kondens af bundpladen
4-6 måneder	Udskift filtrene. Udskift filtrene efter det, der kommer først: 4-6 måneder eller 18.925 l rensat vand.
6 måneder*	Afkalkning
1 år	Test vandet en gang om året. Undlad at drikke vandet, hvis det ikke er rent. Kontakt en Bluewater-forhandler.
3-5 år*	Udskift omvendt osmose-membranen

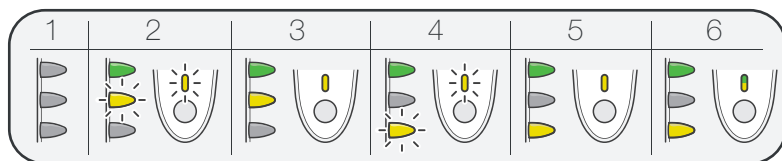
\*Hyppighed afhænger af vandkvalitet og -forbrug

# FEJLFINDING

## Sådan løses ukomplicerede problemer



For mere alvorlige problemer henvises der til vores Complete User Manual på [www.bluewatergroup.com](http://www.bluewatergroup.com)



Symptom	Årsag	Løsning
1 Lysindikatoren ON lyser ikke.	Vandrenseren er ikke tilsluttet strøm. Spirit 300: Tilslutningsslange til hane er ikke tilsluttet.	Tilslut vandrenseren til strøm. Spirit 300: Sørg for, at tilslutningsslangen til hanen og koblingen er tilsluttet.
2 Lysindikatoren FILTER blinker, og den gule lysindikator på hanen blinker.	Filteret skal udskiftes.	Se vores Complete User Manual.
3 Lysindikatoren FILTER lyser, og den gule lysindikator på hanen blinker.	Vandrenseren er standset. Filteret skal udskiftes.	Se vores Complete User Manual.
4 Lysindikatoren SERVICE blinker, og den gule lysindikator på hanen blinker.	Vandkvaliteten er reduceret, men det er sikkert at drikke vandet. Vandrenseren stopper snart, se 5.	Kontakt Bluewater for udskiftning af membranen.
5 Lysindikatoren SERVICE lyser, og den gule lysindikator på hanen blinker.	Vandrenseren er standset. En filterudskiftning har bevirket, at der er kommet luft i systemet.	Kobl vandrenseren fra strøm. Tilslut den igen. Lad vandrenseren udføre den automatiske skylling.
	Vandrenseren er standset. Kvaliteten af det rensede vand er blevet for lav.	Kontakt Bluewater for udskiftning af membranen.
6 Lysindikatoren SERVICE lyser, og både den gule og den grønne lysindikator på hanen lyser.	Vandkvalitetsmåleren virker ikke.	Kontakt din Bluewater-forhandler.
Vandrenseren støjer, når vandtrykket ikke er højt nok.	Inkløbstrykket er lavere end 1,5 bar under drift.	Kontakt din Bluewater-forhandler.
	Nettet er blokeret.	Se vores Complete User Manual
	Filteret er blokeret.	Se vores Complete User Manual
Vandrenseren starter ikke.	Vandrenseren skyller.	Vent i fem minutter.
	Overløbsbeskyttelsessystemet er aktiveret.	Kobl vandrenseren fra strøm, og rengør bundpladen. Hvis overløbsbeskyttelsen aktiveres igen, skal du kontakte din Bluewater-forhandler.
	Spirit 300: Tilslutningsslange til hane er ikke tilsluttet.	Spirit 300: Sørg for, at tilslutningsslangen til hanen og koblingen er tilsluttet.
Spirit 300: Lysindikator på hane lyser ikke.	Der er opstået et problem med den elektroniske hane.	Kontakt din Bluewater-forhandler.
	Tilslutningsslange til hane er ikke tilsluttet.	Sørg for, at tilslutningsslangen til hanen og koblingen er tilsluttet.
Flowhastigheden fra rentvandshanen er lav.	Vandrenseren skal afkalkes.	Se vores Complete User Manual.
	Rentvandsslangen er i klemme eller blokeret.	Sørg for, at rentvandsslangen kan bevæge sig frit.
Der kommer ikke vand ud af rentvandshanen.	Stopventilen til fødevand er lukket.	Åbn stopventilen til fødevand.
Vandet lugter dårligt.	Der er bakterievækst i vandet, fordi vandrenseren ikke har været anvendt i en uge eller derover.	Se vores Complete User Manual

# 目录

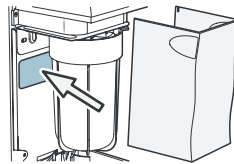
安全.....	112
安全说明.....	112
安全信息.....	112
产品概述.....	113
Spirit 外部.....	113
Spirit 内部组件和替换组件.....	114
技术信息.....	114
产品性能.....	115
系统概述.....	116
系统说明.....	116
安装.....	116
防漏系统.....	116
预期用途.....	117
产水.....	117
维护.....	118
日常维护.....	118
定期维护.....	118
故障排除.....	119
如何解决简单问题.....	119

ZH

## 客户服务

在致电客户服务部门前，请参阅“故障排除”以解决小问题。如果需要外部服务支持，则需支付费用。致电客服时，确保准备好以下资料（位于过滤器后的铭牌上）：

- 型号
- 产品编号
- 序列号



## 环境信息



80% 的净水器组件及其包装上都带有标签，可帮助您进行正确回收和丢弃。当净水器长时间对水进行清洁时，效率会更高。例如：建议用水壶而不是玻璃水杯来装水。



带有此标志的装置必须送至当地指定的用于处理电气和电子设备的接收站。本产品不适于按照一般家庭垃圾处理过程进行处置。

# 安全

## 安全说明

安装或操作设备前，必须阅读安全信息。遵守本手册中的说明，可防止人身伤害或设备损坏。本手册包含“警告”和“注意”标志，用于提醒安全操作设备。



“警告”用于指示存在导致人身伤害或设备损坏的情况。遵照警告说明，在非正常情况下请勿继续操作。



“注意”用于指示无故障且以最佳性能使用净水器的重要信息。

## 安全信息



勿在服务指示灯 (Service) 指示水未清洁时饮水。使用耐腐蚀的容器储水。



本设备可由 8 岁以上儿童使用。对于肢体不健全、感觉或精神上有障碍或缺少经验和知识的人员，如果有人在旁监督或向他们提供安全使用本设备的说明并让他们了解相关危险，则也适用于这些人员使用。



请勿修理或改装净水器部件因修理或改装而导致进水器无法正确操作，甚至进一步引起的伤害或损害则不在保修范围内。



Spirit 是反渗透系统。其中包含一个可更换的膜，该膜对于有效减少总溶解固体 (TDS) 非常重要。请定期更换该膜。



只有经认可的 Bluewater 员工才能对净水器进行维护和修理。只能使用 Bluewater 提供的原装替换滤芯和零件。有关备件目录和购买时的联系信息，请访问 [www.bluewatergroup.com](http://www.bluewatergroup.com)。



要清洁的水必须满足“技术信息”中的要求。每年对水进行一次测试。如果水不干净、有异味或臭味，则请勿饮用。



必须按照适用的当地管道标准和法规进行安装。



将净水器连接到接地电源。使用安装后易于操作的插头。只能由专业的电工对系统进行永久布线。必须在系统上安装安全开关。错误安装会导致损坏或为净水器的使用留下安全隐患。



请勿使用存在明显损坏痕迹的电源线。如果电源线损坏，则只能由合格的电工进行更换以防出现危险。



如果将净水器断电断水的时间超过一周，则请参阅完整的用户手册中“存储”一节中所述进行存放。



# 产品概述

型号	Spirit 300	电子控制	Bluewater 水龙头
	Spirit 300Cp	压力受控, 与家用电器兼容	与反渗透适配的水龙头

## Spirit 外部

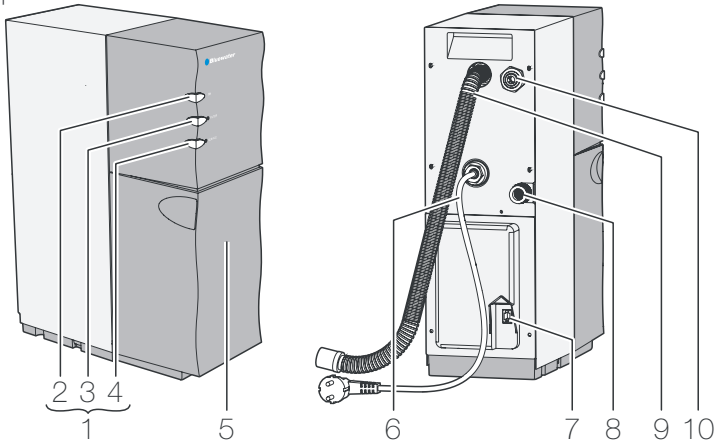


Figure 1. Spirit 外部

位置	说明	位置	说明
1	控制面板	6	电源线
2	工作指示灯 (On)	7	水龙头电气接口 (Spirit 300)
3	过滤器指示灯 (Filter)	8	带栅格过滤器的给水接口
4	服务指示灯 (Service)	9	排水软管
5	前盖	10	净水接口

ZH

## 控制面板

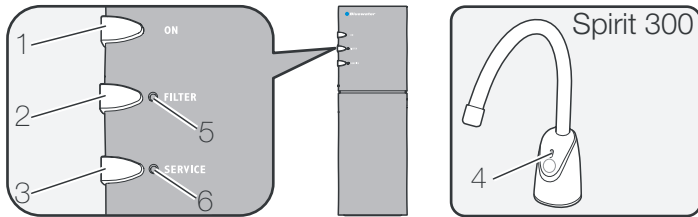


Figure 2. 控制面板

位置	指示灯	说明	位置	说明
1	工作指示灯 (ON)	净水器已连接且正常工作。	5	FILTER 按钮
2	过滤器指示灯 (FILTER)	闪烁 点亮 净水器在工作。必须更换过滤器。 净水器已停止。必须更换过滤器。	6	SERVICE 按钮
3	服务指示灯 (SERVICE)	闪烁 点亮 水质降低。 净水器已停止, 水质降低。		
4	水龙头指示灯 Spirit 300 Spirit 300Cp N/A	绿色 黄色 黄色 表示水质良好(最长需 120 秒)。 闪烁: 出现错误。查看控制面板。 点亮: 净水器已停止, 水质已降低。		

# Spirit 内部组件和替换组件

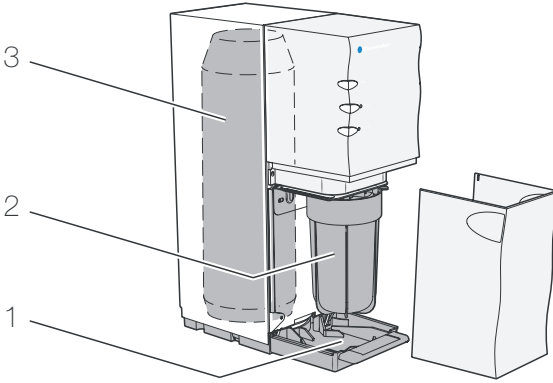


Figure 3. Spirit 内部

位置	说明	部件号	位置	说明	部件号
1	底板		3	反渗透膜	
				膜维护套件, HR 型 (高抑制)	155007301-SP
				膜维护套件, HF 型 (高流量)	150759380-SP
2	前置过滤器、碳过滤器、颗粒状	919240004			

## 技术信息



有关详细技术信息, 请访问 [Bluewater China](#)

参数/型号	Spirit 300	Spirit 300Cp
尺寸 宽×深×高 [mm (")]	150×365×462 (5.9×14.3×18.2)	150×365×462 (5.9×14.3×18.2)
重量 [kg (lbs)]	15 (33)	15 (33)
接地电源	230V 50-60 Hz, 10A	230V 50-60 Hz, 10A
接地电源 US	120V 60Hz, 10A	120V 60Hz, 10A
功率 (US)	350W (3Amps)	350W (3Amps)
净化水的流速	每天 893 加仑	每天 666 加仑
噪音水平 (安装在水槽下的橱柜中)	< 60 dB(A)	< 60 dB(A)
带水质指示灯的水龙头	✓	N/A



请勿在该系统的进水口或出水口使用从微生物角度而言不安全或未经充分消毒的质量未知的水。



只能连接到冷水水源。温度限制在第 112 页的表“净水器给水要求”中列出。

## 净水器给水要求

说明	Spirit 300	Spirit 300Cp
压力 [流动 bar (psi)]	1.5-10 (22-145)	1.5-10 (22-145)
水流速 [l/min (gal/min)]	> 6 (1.6)	> 6 (1.6)
TDS (总溶解固体) [mg/l (ppm)]	< 1200	< 1200
电导率 [ $\mu\text{S}/\text{cm}$ , 25 °C (77 °F)]	< 1600	< 1600
温度 [°C (°F)]	2-35 (36-95)	2-35 (36-95)
硬度 [°dH (grains/gallon)]	< 10 (< 10.4)	<10 (<10.4)
铁 $\text{Fe}^{(II)}/\text{Fe}^{(III)}$ [mg/l (ppm)]	< 0.5/< 0.3	< 0.5/< 0.3
浊度 [FNU]	< 0.5	< 0.5

## 产品性能



WQA Gold Seal 证明 Bluewater 净水器经过独立测试，且通过 NSF/ANSI 58 和 CSA Standard B483.1 认证。WQA 认证产品性能，审核制造设施和过程以确保产品稳定性和完整性。

Bluewater Spirit 净水器已按照 NSF/ANSI 58 进行测试，证明可减少 TDS (总溶解固体)。

系统进水中的 TDS 浓度被减少至小于等于 NSF/ANSI 58 规定的系统出水的允许限值。  
请查看 [www.bluewatergroup.com](http://www.bluewatergroup.com) 上的性能数据表了解更多详情。

ZH

# 系统概述

## 系统说明

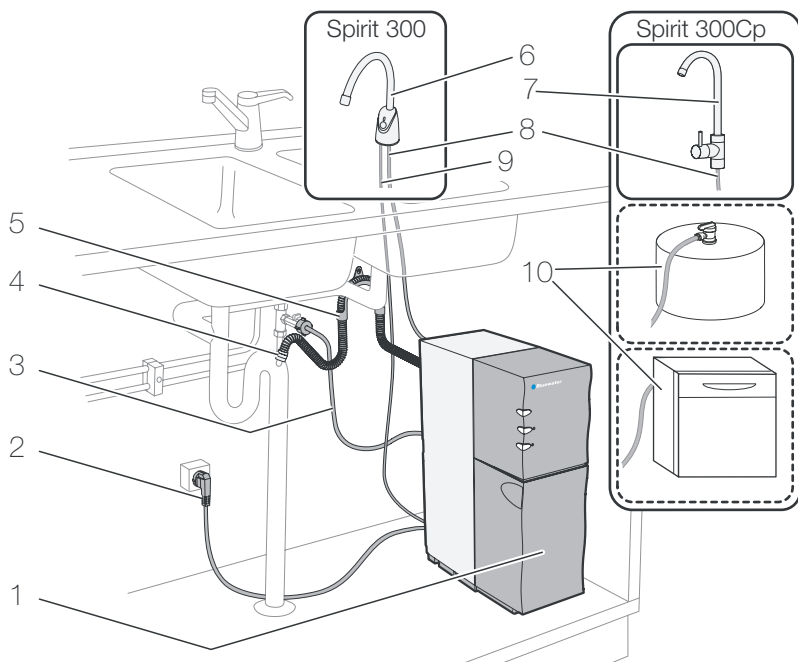


Figure 4. 系统概述, Spirit 安装示例

位置	说明	位置	说明
1	净水器	6	Bluewater 水龙头
2	电源线	7	与反渗透适配的水龙头
3	给水软管	8	净水软管
4	排水软管, 安装时留有气隙	9	水龙头电气接口 (Spirit 300)
5	排水软管支架	10	压力箱, 与洗碗机等家用电器兼容。

## 安装



必须按照适用的当地管道标准和法规进行安装。



只能将净水器连接到冷水水源。水质必须有保障并满足给水要求。



建议由经Bluewater授权的经销商推荐的专业人员安装净水器。请参阅完整的用户手册和Bluewater China上都提供了安装说明。

## 防漏系统

净水器底部的传感器可感应漏水。如果出现漏水, 将停止给水。在修复漏水前, 不能启动净水器。

# 预期用途

净水器适用于生产净水。请勿将它用于任何其他目的。在室内家庭环境以外使用以及用于家庭净化水以外的其他用途，都被视作非预期用途，将自动使保修无效。

电子控制的 Spirit 300 适用于生产家庭烹调 and 饮用一般所需的水量。压力控制的 Spirit 300Cp 可连接到洗碗机等其他设备。

# 产水

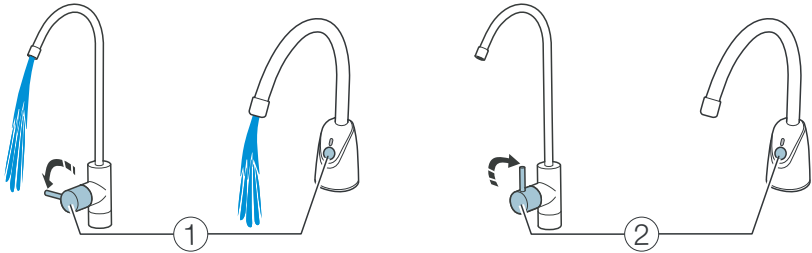


Figure 5. 打开/关闭产水功能

# 自动冲洗

如果满足以下条件之一，则将进行自动冲洗：

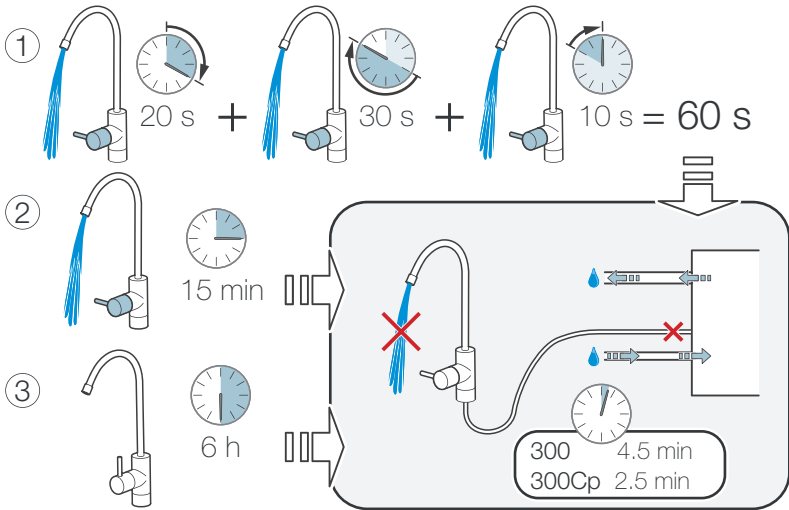


Figure 6. 自动冲洗

位置	说明
1	取水后冲洗。60 秒不到的生产周期将相加，当总取水时间超过 60 秒时将冲洗。
2	最长工作 15 分钟后冲洗。下个生产周期可在完成冲洗后立即启动。
3	净水器处于待机模式。Spirit 已连接到水源和电源，上次冲洗后已过 6 个小时。

ZH

# 维护

## 日常维护

### 检查指示灯

步骤	操作
1	确保 过滤器指示灯(Filter) 或服务指示灯 (Service) 未点亮或闪烁。
2	确保黄色的水龙头指示灯未点亮或闪烁(Spirit 300)。

### 清洁净水器



请勿使用化学品清洁表面。酒精、汽油、有机和无机酸、强碱性化学品 (如浓缩的餐具洗涤剂) 都会损坏表面。



请勿使用尖硬工具清洁净水器。

步骤	操作
1	使用湿润的软布和弱肥皂溶液清洁外部表面以去除尘垢和污迹。
2	使用干燥的软布擦干。

## 定期维护



定期维护对于正常使用和长期操作很重要。只有经培训和认可的人员才能执行维护。



有关如何进行维护的说明, 请参阅 Bluewater China 上的完整的用户手册

频率	说明
1 个月	检查连接 擦拭底板上的冷凝物
4-6 个月	更换过滤器。每 4-6 个月或净化的水达到 18 925 l (5 000 gal) (以先满足者为准) 时更换一次过滤器。
6 个月*	除垢
1 年	每年对水进行测试。如果水不干净, 请勿饮用。请与 Bluewater 经销商联系。
3-5 年*	更换反渗透膜

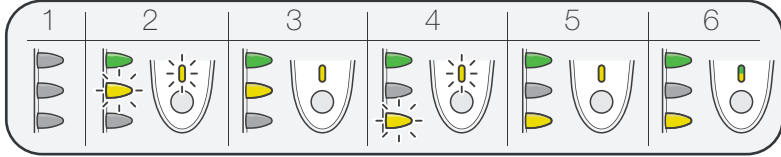
\*频率取决于水质和使用情况。

# 故障排除

## 如何解决简单问题



有关更严重问题, 请参阅 Bluewater China 上的完整的用户手册



症状	原因	解决方法	
1 ON 指示灯 未点亮。	净水器未连接到电源。 Spirit 300: 未连接水龙头线缆。	将净水器连接到电源。 Spirit 300: 确保水龙头线缆和连接器均已连接妥当。	
2 Filter 指示灯 闪烁且水龙头上的黄色指示灯闪烁。	必须更换过滤器。	请参阅完整的用户手册	
3 Filter 指示灯 点亮且水龙头上的黄色指示灯点亮。	净水器已停止。必须更换过滤器。	请参阅完整的用户手册	
4 Service 指示灯 闪烁且水龙头上的黄色指示灯闪烁。	水质已降低, 但可以安全饮用。净水器将很快停止, 参见 5。	请联系 Bluewater 以更换膜。	
5 Service 指示灯 点亮且水龙头上的黄色指示灯点亮。	净水器已停止。更换过滤器导致空气进入系统。	断开净水器的电源。重新连接电源。让净水器执行自动冲洗。	
	净水器已停止。净水质量已变得太低。	请联系 Bluewater 以更换膜。	
6 Service 指示灯 点亮且水龙头上的黄色和绿色指示灯点亮。	水质测量仪无法使用。	与 Bluewater 经销商联系。	
	净水器因水压不足而发出噪声。	进水压力 在工作中低于 1.5 bar。 栅格被阻塞。 过滤器被阻塞。	与 Bluewater 经销商联系。 请参阅完整的用户手册 请参阅完整的用户手册
	净水器未启动。	正在用水冲洗净水器。 防溢系统被激活。 Spirit 300: 未连接水龙头线缆。	等待 5 分钟。 断开净水器电源并清洁底板。如果再次激活防溢系统, 请与 Bluewater 经销商联系。 Spirit 300: 确保水龙头线缆和连接器均已连接妥当。
Spirit 300: 水龙头灯不亮。	电子水龙头有问题。	与 Bluewater 经销商联系。	
	未连接水龙头线缆。	确保水龙头线缆和连接器均已连接妥当。	
净水龙头的流速很低。	净水器需要除垢。	请参阅完整的用户手册	
	净水软管被拉紧或堵塞。	确保净水软管可自由移动。	
净水龙头无水流出。	给水切断阀已关闭。	打开给水切断阀。	
水的味道很难闻。	由于净水器至少一周未使, 水中滋生微生物。	请参阅完整的用户手册	

ZH

## 中国市场进入许可

卫生许可批准文号: 沪卫水进字(2015)第0019号 Bluewater牌RO300Cp型直立式反渗透纯净水机  
粤卫水字[2015]第S2355号 Bluewater牌Spirit 300Cp型直立式反渗透纯净水机

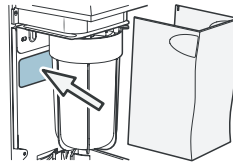
KESELAMATAN .....	121
Instruksi keselamatan .....	121
Informasi keselamatan .....	121
SEKILAS PRODUK .....	122
Di luar spirit .....	122
Komponen di bagian dalam dan pengganti untuk Spirit .....	123
Informasi teknis .....	123
Performa produk .....	124
SISTEM IKHTISAR .....	125
Deskripsi sistem .....	125
Instalasi .....	125
Sistem perlindungan kebocoran .....	125
Tujuan penggunaan .....	126
Produksi air .....	126
PEMELIHARAAN .....	127
Pemeliharaan harian .....	127
Pemeliharaan rutin .....	127
PEMECAHAN MASALAH .....	128
Bagaimana mengatasi masalah sederhana .....	128

## Layanan pelanggan

Lihat "Pemecahan Masalah" untuk pemecahan masalah kecil sebelum menelepon layanan. Apabila Anda membutuhkan dukungan layanan eksternal, dapat dikenakan biaya.

Pastikan untuk memiliki data berikut (ditemukan pada pelat data yang terletak di belakang filter) yang tersedia pada saat memanggil Bluewater:

- Model
- Nomor produk
- Nomor serial



## Information lingkungan



80% dari komponen penjernih air dan kemasannya memiliki label untuk membantu Anda mendaur ulang dan membuangnya dengan benar. Penjernih air lebih efisien ketika membersihkan air untuk waktu yang lama. Contoh: tidak mengisi gelas dengan air. Isi kendi sebagai gantinya.



Peralatan yang membawa simbol ini harus disimpan pada titik penerimaan lokal ditunjuk untuk pembuangan peralatan listrik dan elektronik. Produk ini tidak dapat dibuang dengan menggunakan proses pengumpulan pembuangan rumah tangga.



# KESELAMATAN

## Instruksi keselamatan

Sebelum Anda menginstal atau mengoperasikan alat, Anda harus membaca informasi keselamatan. Patuhi petunjuk dalam manual ini untuk mencegah cedera atau kerusakan pada peralatan. Panduan ini berisi PERHATIAN dan PEMBERITAHUAN yang berlaku untuk operasi yang aman dari perangkat.



**PERHATIAN** mengidentifikasi kondisi yang dapat menyebabkan cedera, atau kerusakan pada peralatan. Patuhi petunjuk dan tidak melanjutkan sampai semua kondisi diterima dan dilakukan.



**Catatan** mengidentifikasi informasi penting untuk gratis pemecahan masalah dan penggunaan penjernih air yang optimal.

## Informasi keselamatan



Jangan minum air pada saat service light menunjukkan bahwa tidak bersih. Simpan air di tempat penampungan yang tahan terhadap korosi.



Alat ini bisa digunakan oleh anak-anak yang berusia lebih dari 8 tahun. Hal ini juga dapat digunakan oleh orang-orang yang memiliki kekurangan kemampuan fisik, indera atau mental atau kurang pengalaman dan pengetahuan, apabila mereka diberikan pengawasan atau instruksi tentang penggunaan alat dengan cara yang aman dan memahami bahaya yang terjadi.



Jangan memperbaiki atau memodifikasi bagian dari penjernih air. Hal ini dapat membuatnya dapat beroperasi secara tidak benar, dan menyebabkan cedera dan kerusakan yang tidak terjangkau oleh garansi.



Spirit adalah sebuah sistem osmosis terbalik. Alat ini menggunakan membran yang dapat diganti yang sangat penting untuk mengurangi padatan terlarut total (TDS) secara efektif. Ganti membran ini secara teratur.



Hanya staf Bluewater yang disetujui yang boleh melakukan servis dan perbaikan atas pemurni air ini. Gunakan kartrid dan komponen pengganti asli dari Bluewater saja. Untuk katalog suku cadang dan informasi kontak untuk pembelian, lihat [www.bluewatergroup.com](http://www.bluewatergroup.com).



Air yang akan dibersihkan wajib memenuhi persyaratan dalam "InformasiTeknis". Tes air setahun sekali. Jika air tidak bersih, berasa, atau berbau, jangan diminum.



Instalasi harus mematuhi kode pipa dan peraturan setempat yang berlaku.



Hubungkan penjernih air untuk pasokan elektrik yang ditanahkan. Gunakan plug yang memudahkan untuk mengakses setelah instalasi. Hanya seorang teknisi yang disertifikasi dapat melakukan kabel permanen pada sistem. Sebuah saklar pengaman harus diinstal pada sistem. Instalasi yang tidak benar dapat menyebabkan kerusakan, atau membuat penjernih air berbahaya untuk digunakan.



Jangan gunakan kabel listrik jika ada tanda-tanda kerusakan di atasnya. Jika kabel listrik rusak, teknisi listrik harus menggantinya untuk mencegah bahaya.



Jika penjernih air terputus dari air dan listrik untuk lebih dari seminggu, menyimpannya seperti yang dijelaskan dalam Panduan pengguna Lengkap "Simpan".

# SEKILAS PRODUK

Model	Spirit 300	Dikontrol secara elektronik	Keran Bluewater
	Spirit 300Cp	Tekanan terkontrol, dapat digunakan dengan peralatan rumah tangga	Keran disesuaikan untuk osmosis balik

## Di luar spirit

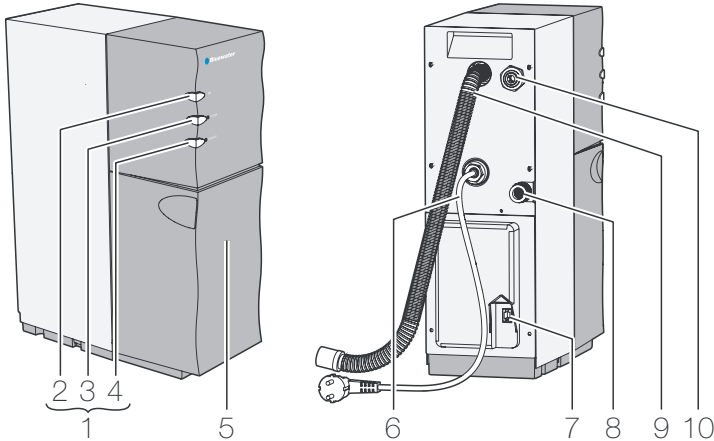


Figure 1. Di luar spirit

Pos	Deskripsi	Pos	Deskripsi
1	Kontrol panel	6	Kabel listrik
2	On light	7	Sambungan elektrik untuk kran (Spirit 300)
3	Filter light	8	Sambungan penyedia air dengan filter berkotak
4	Service light	9	Aliran selang air
5	Penutup depan	10	Bersihkan sambungan air

## Kontrol panel

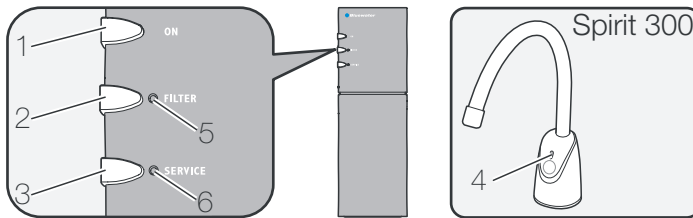


Figure 2. Kontrol panel

Pos	Light	Deskripsi	Pos	Deskripsi
1	ON light	Penjernih air tersambung dan beroperasi secara benar.	5	Tombol FILTER
2	FILTER light	Berkedip Aktif: Penjernih air beroperasi. Filter harus diganti. Berkedip Pasif: Penjernih air telah dihentikan. Filter harus diganti.	6	Tombol SERVICE
3	SERVICE light	Berkedip Aktif: Pengurangan kualitas air. Penjernih air telah dihentikan, kualitas air telah berkurang.		
4	Lampu kran Spirit 300 Spirit 300Cp N/A	Hijau: Menunjukkan kualitas air baik (hal ini dapat memakan waktu lebih dari 120 detik). Kuning: Berkedip: Sesuatu yang salah. Lihat pada panel kontrol. Kuning Aktif: Penjernih air telah berhenti, kualitas air telah berkurang.		

# Komponen di bagian dalam dan pengganti untuk Spirit

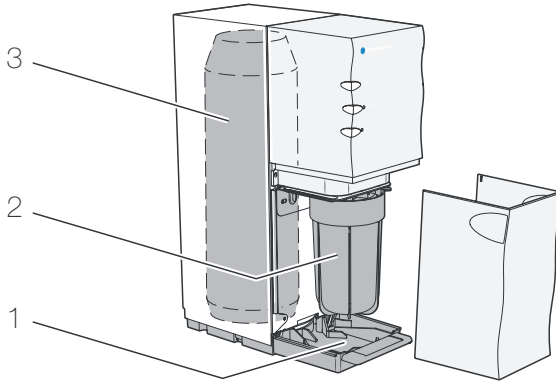


Figure 3. Di dalam spirit

Pos	Keterangan	Nomor barang	Pos	Keterangan	Nomor barang
1	Pelat dasar		3	Membran osmosis balik	
				Kit servis membran, tipe HR (High Rejection)	155007301-SP
				Kit servis membran, tipe HF (High Flow)	150759380-SP
2	Pra-filter, Filter karbon, granulasi	919240004			

## Informasi teknis



Untuk informasi teknis yang lebih rinci lihat [www.bluewatergroup.com](http://www.bluewatergroup.com)

ID

Parameter/Model	Spirit 300	Spirit 300Cp
Ukuran LxDxT [mm (")]	150x365x462 (5.9x14.3x18.2)	150x365x462 (5.9x14.3x18.2)
Berat [kg (lbs)]	15 (33)	15 (33)
Pasokan daya, pasokan ditanahkan Pasokan daya, pasokan ditanahkan US	230V 50-60 Hz, 10A 120V 60Hz, 10A	230V 50-60 Hz, 10A 120V 60Hz, 10A
Daya (US)	350W (3Amps)	350W (3Amps)
Laju aliran air murni	893 gal/hari	666 gal/hari
Tingkat suara (dipasang di lemari undersink)	< 60 dB(A)	< 60 dB(A)
Kran dengan lampu indikator kualitas air	✓	N/A



Jangan gunakan air yang secara mikrobiologis tidak aman atau yang kualitasnya tidak diketahui tanpa sucihama yang memadai sebelum atau sesudah pemakaian sistem.



Hubungkan dengan sumber air dingin saja. Batas suhu dapat dilihat dalam tabel "Persyaratan pada penyedia air ke penjernih air".

## Persyaratan pada penyedia air ke penjernih air

Deskripsi	Spirit 300	Spirit 300Cp
Tekanan [aliran bar (psi)]	1.5-10 (22-145)	1.5-10 (22-145)
Aliran air [l/min (gal/min)]	> 6 (1.6)	> 6 (1.6)
TDS (Total dissolved solids) [mg/l (ppm)]	< 1200	< 1200
Konduktivitas [ $\mu$ S/cm, 25 °C (77 °F)]	< 1600	< 1600
Suhu [°C (°F)]	2-35 (36-95)	2-35 (36-95)
Keras [°dH (butir/galon)]	< 10 (< 10.4)	<10 (<10.4)
Iron Fe <sup>II</sup> /Fe <sup>III</sup> [mg/l (ppm)]	< 0.5/< 0.3	< 0.5/< 0.3
Kekeruhan [Fnu]	< 0.5	< 0.5

## Performa produk



WQA Gold Seal adalah bukti bahwa pemurni air Bluewater telah diuji secara mandiri dan disertifikasi sebagai memenuhi NSF/ANSI 58 dan CSA Standard B483.1. WQA mensertifikasi performa produk dan memeriksa fasilitas dan prosedur produksi untuk memastikan konsistensi dan integritas produk.

Kemampuan pemurni air Bluewater Spirit dalam mengurangi TDS (padatan terlarut total) telah diuji berdasarkan standar NS/ANSI 58.

Konsentrasi TDS pada air yang memasuki sistem dikurangi sampai kurang dari atau sama dengan batas yang dibolehkan untuk air yang keluar dari sistem, sesuai ketentuan NSF/ANSI 58.

Untuk rincian lain, lihat lembar data performa di [www.bluewatergroup.com](http://www.bluewatergroup.com).

# SISTEM IKHTISAR

## Deskripsi sistem

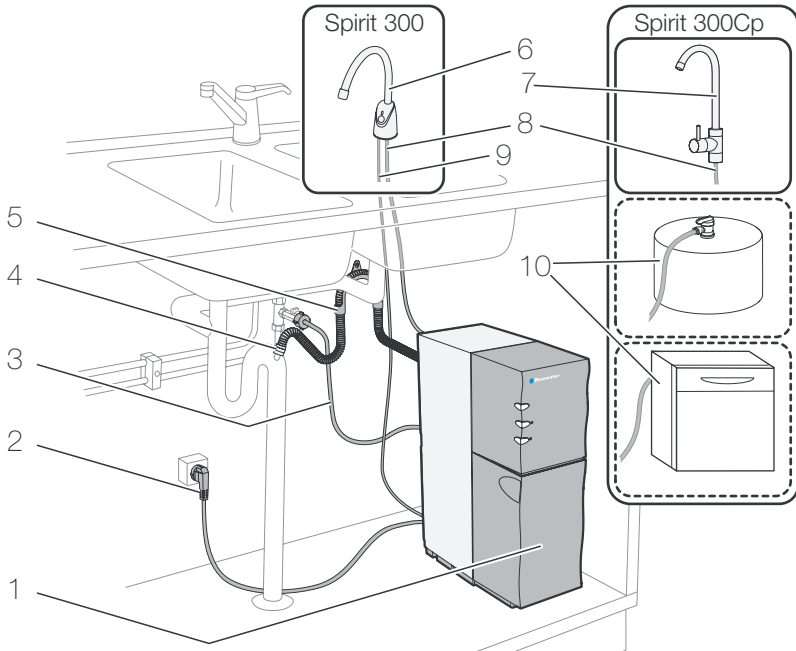


Figure 4. Gambaran umum sistem, contoh pemasangan Spirit

Pos	Keterangan	Pos	Keterangan
1	Penjernih air	6	Keran Bluewater
2	Kabel daya	7	Keran disesuaikan untuk osmosis balik
3	Selang air pengumpan	8	Bersihkan selang air
4	Selang air penguras, dilengkapi celah udara	9	Sambungan elektrik keran (Spirit 300)
5	Braket untuk selang air penguras	10	Tangki tekanan, peralatan rumah tangga, misalnya, mesin cuci perabotan.

## Instalasi



Pemasangan wajib memenuhi semua peraturan dan ketentuan setempat tentang pemasangan pipa.



Hubungkan pemurni air ke sumber air dingin saja. Kualitas air wajib memenuhi syarat dan ketentuan sebagai air umpan.



Sebaiknya bahwa penjernih air diinstal oleh seorang profesional, yang direkomendasikan oleh dealer Bluewater resmi. Petunjuk instalasi dapat ditemukan di Lengkap Panduan pengguna dan pada [www.bluewatergroup.com](http://www.bluewatergroup.com).

## Sistem perlindungan kebocoran

Sebuah sensor di bagian bawah penjernih air mendeteksi kebocoran air. Jika ada kebocoran, pasokan air umpan dihentikan. Penjernih air tidak dapat dijalankan lagi sampai kebocoran telah diperbaiki.

# Tujuan penggunaan

Penjernihan air ini dimaksudkan untuk menghasilkan air yang murni. Jangan menggunakannya untuk tujuan lain. Penggunaan selain lingkungan rumah dan untuk tujuan selain menjernihkan air untuk keperluan rumah tangga dianggap sebagai penggunaan yang tidak diinginkan dan secara otomatis akan membatalkan garansi Anda.

Pengontrolan Spirit 300 secara elektronik dimaksudkan untuk menghasilkan kuantitas air yang biasanya diperlukan untuk memasak dan minum di rumah tangga. Tekanan yang dikontrol Spirit 300Cp dapat dihubungkan ke perangkat lain seperti mesin pencuci piring.

## Produksi air

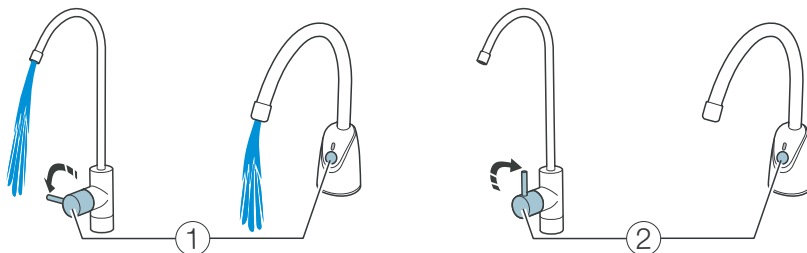


Figure 5. Produksi air aktif/tidak aktif

## Flush otomatis

Flush otomatis akan dilakukan pada saat salah satu dari kondisi tersebut terpenuhi:

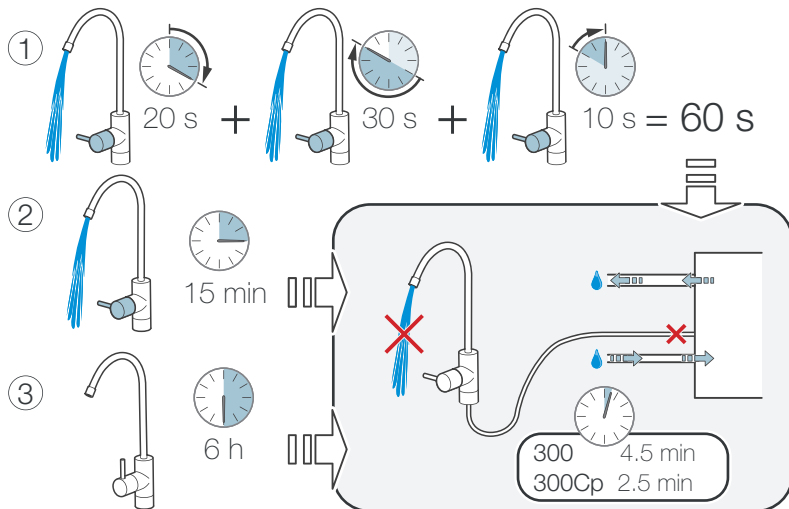


Figure 6. Flush otomatis

Pos	Deskripsi
1	Flush setelah mengambil air. Siklus produksi yang lebih pendek dari 60 detik ditambahkan secara bersama-sama, dan flush terjadi pada saat jumlah waktu melebihi 60 detik.
2	Flush setelah waktu operasional maksimum 15 menit. Siklus produksi berikutnya dapat segera dimulai setelah selesai flush..
3	Penjernihan air di mode standby. Spirit tersambung ke air dan daya dan Lebih dari 6 jam sejak flush terakhir.

# PEMELIHARAAN

## Pemeliharaan harian

### Periksa lampu indikator

Langkah	Tindakan
1	Pastikan filter light atau service light tidak aktif atau berkedip.
2	Pastikan bahwa lampu kran kuning tidak aktif atau berkedip. (Spirit 300).

### Berkedip penjernih air



Tidak gunakan bahan kimia untuk membersihkan permukaan. Alkohol, bensin, asam organik dan anorganik, bahan kimia dasar yang kuat (seperti terkonsentrasi hidangan cuci deterjen) akan menyebabkan kerusakan pada permukaan.



Tidak menggunakan peralatan keras atau tajam untuk membersihkan penjernih air.

Langkah	Tindakan
1	Bersihkan permukaan luar dengan kain lembab yang lembut dan solusi sabun lembut untuk menghilangkan debu, noda dan kotoran.
2	Keringkan dengan kain kering yang lembut.

## Pemeliharaan rutin



Pemeliharaan rutin penting untuk fungsi yang benar dan operasional jangka panjang. Hanya petugas yang teredukasi dan mendapat persetujuan dapat melakukan pemeliharaan.



Untuk petunjuk bagaimana melakukan pemeliharaan, lihat Complete User manual di [www.bluewatergroup.com](http://www.bluewatergroup.com)

Frekuensi	Deskripsi
1 bulan	Periksa koneksi
	Hapus kondensasi dari pelat dasar
4-6 bulan	Ganti filter. Ganti filter setelah 4-6 bulan atau air yang dimumikan sudah mencapai angka 18 925 l (5 000 gal).
6 bulan*	Kerak
1 tahun	Penjujukan air setiap tahun. Apabila air tidak bersih, jangan di minum. Hubungi dealer Bluewater.
3-5 tahun*	Ganti membran reverse osmosis

\* Frekuensi tergantung pada kualitas air dan penggunaan

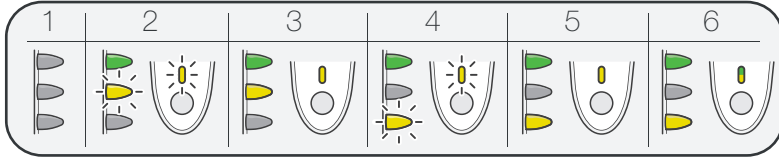
ID

# PEMECAHAN MASALAH

## Bagaimana mengatasi masalah sederhana



Untuk masalah yang lebih parah, lihat Complete User manual di [www.bluewatergroup.com](http://www.bluewatergroup.com)



Gejala	Penyebab	Solusi
1 ON light tidak aktif.	Penjernih air tidak tersambung ke daya. Spiri 300: Sambungan kran tidak tersambung.	Sambung penjernih air ke daya. Spiri 300: Pastikan bahwa sambungan kran dan konektor tersambung.
2 Filter light berkedip, dan lampu kuning di kran berkedip.	Filter harus diganti.	Lihat Complete User manual.
3 Filter light aktif, dan lampu kuning di kran aktif.	Penjernih air berhenti. Filter harus diganti.	Lihat Complete User manual.
4 Service light berkedip, dan lampu kuning di kran berkedip.	Kualitas air telah berkurang, tetapi masih aman untuk di minum. Pemurni air akan segera berhenti, lihat 5.	Hubungi Bluewater untuk mengganti membrane.
5 Service light aktif, dan lampu kuning di kran aktif.	Penjernih air berhenti. Pengganti filter menyebabkan udara masuk ke dalam sistem.	Putuskan penjernih air dari daya. Sambung kembali. Memungkinkan penjernih air melakukan flush otomatis.
	Penjernih air berhenti. Kualitas air bersih menjadi sangat rendah.	Hubungi Bluewater untuk mengganti membrane.
6 Service light aktif, dan lampu kuning dan hijau, di kran aktif.	Meteran kualitas air tidak berfungsi.	Hubungi dealer Bluewater Anda.
Penjernih air membuat kebisingan karena tekanan air tidak cukup.	Tekanan inlet lebih rendah dari 1,5 bar selama beroperasi.	Hubungi dealer Bluewater Anda.
	Kotak di blok.	Lihat Complete User manual
	Filter diblok.	Lihat Complete User manual
Penjernih air tidak mulai.	Penjernih air flush air.	Tunggu sampai 5 menit.
	Sistem perlindungan overflow diaktifkan.	Putuskan penjernih air dari daya, dan bersihkan pelat dasar. Apabila perlindungan overflow diaktifkan kembali, hubungi dealer Bluewater Anda.
	Spiri 300: Sambungan kran tidak tersambung.	Spiri 300: Pastikan bahwa sambungan kran dan konektor tersambung.
Spiri 300: Lampu kran tidak nyala.	Terdapat masalah dengan kran elektronik.	Hubungi dealer Bluewater Anda.
	Sambungan kran tidak tersambung.	Pastikan bahwa sambungan kran dan konektor tersambung.
Laju aliran dari keran air bersih rendah.	Penjernih air memerlukan untuk tidak diukur.	Lihat Complete User manual.
	Selang air bersih dikencangkan atau macet.	Pastikan bahwa selang air bersih dapat dipindahkan.
Air tidak mengalir dari kran air bersih.	Katup penutup penyedia air ditutup.	Buka katup penutup penyedia air.
Air bau buruk.	Perkembangan microbial di dalam air karena penjernih air tidak dapat digunakan dalam seminggu atau lebih lama.	Lihat Complete User manual



# 목차

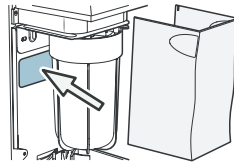
안전 .....	130
안전 지침.....	130
안전 정보.....	130
제품 개요.....	131
Spirit 외부.....	131
Spirit 내부 및 교체 구성품.....	132
기술 정보.....	132
제품 성능.....	133
시스템 개요 .....	134
시스템 설명.....	134
누수 방지 시스템 .....	134
사용 용도.....	135
물 생산 .....	135
유지보수.....	136
일일 유지보수 .....	136
정기 유지보수 .....	136
문제 해결.....	137
간단한 문제 해결 방법.....	137

## 고객 서비스

서비스를 요청하기 앞서 "문제 해결"에서 사소한 문제에 대한 해결 방법을 확인하십시오. 외부 서비스 지원이 필요한 경우, 비용이 발생할 수 있습니다.

Bluewater에 문의하는 경우 다음 데이터(필터 뒤의 데이터 플레이트에서 확인 가능)를 준비해 주십시오.

- 모델
- 제품 번호
- 일련 번호



KO

## 환경 정보



정수기 구성품 및 그 포장재의 80%는 적절하게 재활용하고 폐기할 수 있도록 하는 라벨이 표시되어 있습니다. 본 정수기는 장기간 정수 시에 보다 효율적입니다. 예: 잔에 물을 채우지 마십시오. 대신 주전자에 물을 채우십시오.



이 기호가 있는 가전 제품은 지정된 전기 및 전자 기기 지역 폐기물 수거 장소에 폐기되어야 합니다. 본 제품은 일반 가정용 쓰레기 수거 절차를 통해 폐기할 수 없습니다.

# 안전

## 안전 지침

기기를 설치 또는 작동하기 전에, 본 안전 정보를 반드시 읽으셔야 합니다. 본 설명서의 지침을 준수하여 부상이나 기기의 손상을 방지하십시오. 본 설명서는 기기를 안전하게 작동시키는 데 사용되는 주의 및 알림을 포함합니다.



주의는 부상 또는 기기의 손상을 야기할 수 있는 조건을 확인합니다. 본 지침을 준수하여 모든 조건이 수용되고 보증되기 전까지는 계속 사용하지 마십시오.



참고는 문제를 발생시키지 않고 정수기를 최적으로 사용하기 위한 위한 중요한 정보를 확인합니다.

## 안전 정보



점검 등이 정수되지 않았음을 나타내는 경우 물을 마시지 마십시오. 내부식성 용기에 물을 보관하십시오.



본 기기는 8세 이상의 어린이가 사용할 수 있습니다. 기기의 안전한 사용에 관해 감독을 받거나 지침을 받았으며 관련 위험을 이해하고 있는 경우 신체적, 감각적 또는 정신적 능력이 떨어지거나 경험 및 지식이 부족한 사람도 본 기기를 사용할 수 있습니다.



정수기 부품을 수리하거나 조정하지 마십시오. 이는 기기의 부적절한 작동을 초래할 수 있으며, 보증되지 않는 부상 및 손상을 야기할 수 있습니다.



Spirit은 역삼투 시스템입니다. 기기에는 총 용존고형물(TDS)을 효과적으로 감소시킬 때 매우 중요한 역할을 하는 교체형 멤브레인이 포함되어 있습니다. 이 멤브레인을 정기적으로 교체하십시오.



인가된 Bluewater 직원만 정수기를 서비스 및 수리할 수 있습니다. Bluewater에서 제공하는 순정 교체 카트리지와 부품만 사용하십시오. 교체용 부품 카탈로그 및 구매 연락처 정보는 다음을 참조하십시오. [www.bluewatergroup.com](http://www.bluewatergroup.com)



정수될 물은 "기술 정보"에 명시된 요건에 부합해야 합니다. 매년 1회 물을 검사하십시오. 물이 깨끗하지 않고, 이상한 맛이나 냄새가 나는 경우, 마시지 마십시오.



해당 지역 위생 공사 기준 및 규정을 준수하여 설치해야 합니다.



본 정수기를 접지형 전력 공급 장치에 연결하십시오. 설치 후 접근하기 용이한 콘센트를 사용하십시오. 인가된 전기 기사만 시스템에 영구 배선 작업을 수행할 수 있습니다. 시스템에는 안전 스위치가 설치되어야 합니다. 부적절하게 설치된 경우 손상을 유발하거나 정수기 사용 시 위험을 초래할 수 있습니다.



전원 코드에 육안으로 식별 가능한 손상의 징후가 있을 경우, 전원 코드를 사용하지 마십시오. 전원 코드가 손상된 경우, 위험을 예방하도록 유자격 전기 기사를 통해 교체되어야 합니다.



5일 넘게 본 정수기에 물과 전기의 연결이 차단되는 경우, 전체 사용자 설명서의 "보관"에 기술된 방법에 따라 보관하십시오.

# 제품 개요

모델	Spirit 300	전자 제어식	Bluewater 수전
	Spirit 300Cp	암력 제어식(가전 제품과 호환 가능)	역삼투용 수전

## Spirit 외부

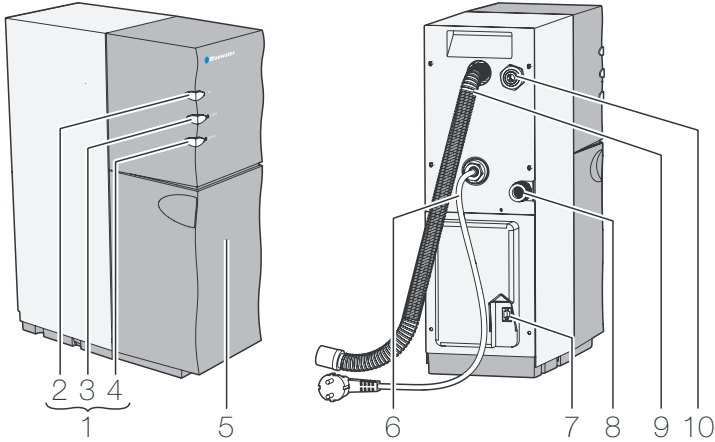


그림 1. Spirit 외부

위치	설명	위치	설명
1	제어 패널	6	전원 코드
2	켜짐 등	7	수전용 전기 연결부(Spirit 300)
3	필터 등	8	급수 연결부 및 그리드 필터
4	서비스 등	9	배수 호스
5	전면 덮개	10	깨끗한 물 연결부

## 제어 패널

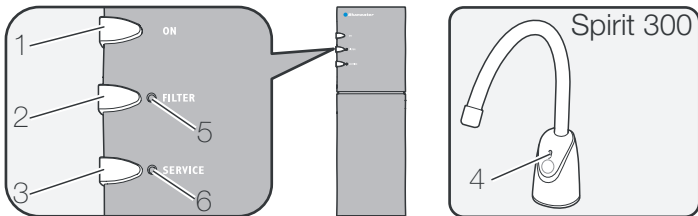


그림 2. 제어 패널

위치	등	설명	위치	설명
1	켜짐	정수기가 올바르게 연결되어 있으며 올바르게 작동합니다.	5	필터 버튼
2	필터 등	깜빡임: 정수기가 작동합니다. 필터를 교체해야 합니다. 켜짐: 정수기의 작동이 중지되었습니다. 필터를 교체해야 합니다.	6	서비스 버튼
3	서비스 등	깜빡임: 수질이 저하되었습니다. 켜짐: 정수기의 작동이 중지되었으며, 수질이 저하되었습니다.		
4	수전 등 Spirit 300 Spirit 300Cp 해당없음	녹색: 수질이 좋은 상태를 나타냅니다(최대 120초가 소요될 수 있습니다). 황색: 깜빡임: 잘못된 부분이 있습니다. 제어 패널을 확인하십시오. 빨색: 켜짐: 정수기의 작동이 중지되었으며, 수질이 저하되었습니다.		

# Spirit 내부 및 교체 구성품

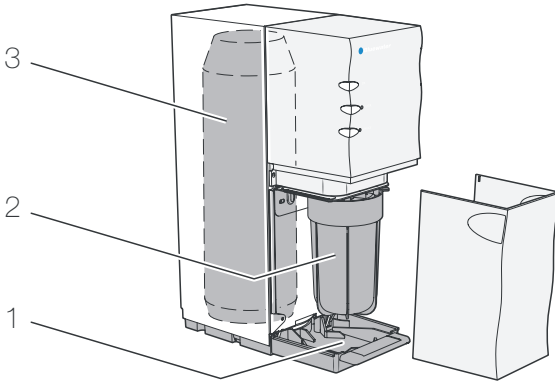


그림 3. Spirit 내부

위치	설명	물품 번호	위치	설명	물품 번호
1	받침 판		3	역삼투 멤브레인	
				멤브레인 서비스 키트, HR(고분자 분리)형	155007301-SP
				멤브레인 서비스 키트, HF(고유량)형	150759380-SP
2	프리필터, 탄소 필터(굵은 입자형)	919240004			

## 기술 정보



더 자세한 기술 정보는 [www.bluewatergroup.com](http://www.bluewatergroup.com)을 참조하십시오

매개 변수/모델	Spirit 300	Spirit 300Cp
크기 가로X세로X높이[mm(")]	150×365×462 (5.9×14.3×18.2)	150×365×462 (5.9×14.3×18.2)
중량[kg(lbs)]	15 (33)	15 (33)
전원 공급 장치, 접지형 전원 전원 공급 장치, 접지형 전원(미국)	230V 50-60 Hz, 10A 120V 60Hz, 10A	230V 50-60 Hz, 10A 120V 60Hz, 10A
전원(미국)	350W(3Amps)	350W(3Amps)
정수 유속	893 gal/day	666 gal/day
소음도(싱크대 하부 찬장에 설치 시)	< 60 dB(A)	< 60 dB(A)
수질 표시등이 부착된 수전	✓	해당 없음
가전 제품과 호환 가능	해당 없음	✓



본 시스템의 전후로 미생물적으로 안전하지 않거나 충분한 살균이 이루어 지지 않아 수질이 불분명한 물은 사용하지 마십시오.



냉수 공급원에만 연결하십시오. 온도 제한은 표 "정수기에 공급하는 급수 요건", 133페이지에 나와있습니다.

## 정수기에 공급하는 급수 요건

설명	Spirit 300	Spirit 300Cp
압력[유동 바(psi)]	1.5-10 (22-145)	1.5-10 (22-145)
유수량[l/min(gal/min)]	> 6 (1.6)	> 6 (1.6)
TDS(총 용존고형물)[mg/l(ppm)]	< 1200	< 1200
전도도[ $\mu$ S/cm, 25 °C(77 °F)]	< 1600	< 1600
온도[°C(°F)]	2-35 (36-95)	2-35 (36-95)
경도[°dH(grains/gallon)]	< 10 (< 10.4)	<10 (<10.4)
Iron Fe <sup>III</sup> /Fe <sup>II</sup> [mg/l(ppm)]	< 0.5/< 0.3	< 0.5/< 0.3
혼탁도[FNU]	< 0.5	< 0.5

## 제품 성능



WQA(국제수질협회)에서 부여한 골드 씰(Gold Seal)을 통 통해 Bluewater 정수기는 독립적으로 검사되었으며 NSF/ANSI 58 및 CSA Standard B483.1에 부합하여 인증되었음을 증명합니다. WQA는 제품 성능을 증명하며 제조 시설 및 절차를 검토하여 제품 일관성과 무결성을 보장합니다.

Bluewater Spirit 정수기는 TDS(총 용존고형물)의 감소에 대해 NSF/ANSI 58에 따라 검사를 받았습니다.

본 시스템에 공급되는 물의 TDS 농도는 NSF/ANSI 58에 명시된 시스템에서 배수되는 물에 대한 허용 한계 농도 이하까지 감소하였습니다.

더 자세한 정보는 [www.bluewatergroup.com](http://www.bluewatergroup.com)에서 성능 데이터 시트를 참조하십시오.

# 시스템 개요

## 시스템 설명

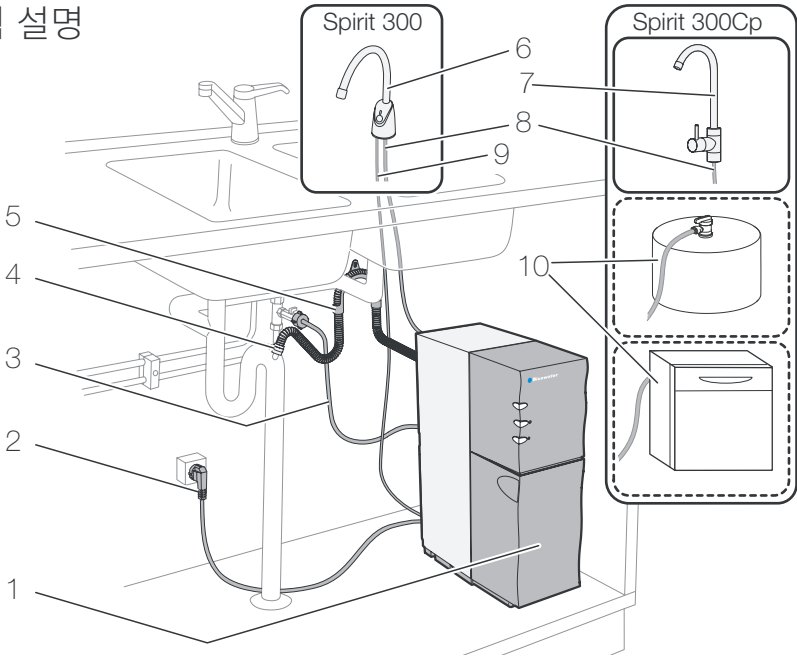


그림 4. 시스템 개요, Spirit 설치 예시

위치	설명	위치	설명
1	정수기	6	Bluewater 수전
2	전원 코드	7	역삼투용 수전
3	급수용 호스	8	깨끗한 물 호스
4	배수 호스, 공극을 통해 설치	9	수전 전기 연결부(Spirit 300)
5	배수 호스용 브래킷	10	압력 탱크, 가전 기기(예: 식기 세척기).

## 설치



해당 지역 위생 공사 기준 및 규정을 준수하여 설치해야 합니다.



냉수 공급원에만 정수기를 연결하십시오. 수질이 충분히 좋아야 하며 급수용 물 요건을 충족해야 합니다.



인가된 Bluewater 판매자가 지명하는 전문가를 통해 정수기를 설치할 것을 권장합니다. 설치 지침은 전체 사용자 설명서 및 [www.bluewatergroup.com](http://www.bluewatergroup.com)에서 확인하실 수 있습니다.

## 누수 방지 시스템

정수기 하단의 센서는 누수를 감지합니다. 누수가 있는 경우, 급수 공급 장치의 작동이 중지됩니다. 정수기는 누수 문제가 해결되기 전까지 다시 작동할 수 없습니다.

# 사용 용도

본 정수기는 정수된 물을 생산하는 용도로 제작되었습니다. 다른 용도로 사용하지 마십시오. 실내 가정 환경에서 벗어난 모든 사용 및 가정용 물을 정수하는 것 외의 다른 목적의 모든 사용은 의도하지 않은 사용으로 간주되며, 보증이 자동으로 무효화됩니다. 전자 제어식 Spirit 300은 가정에서 조리 시 또는 음용 시 일반적으로 필요한 양의 물을 생산하도록 고안되었습니다. 압력 제어식 Spirit 300Cp는 식기 세척기와 같은 다른 기기에 연결할 수 있습니다.

# 물 생산

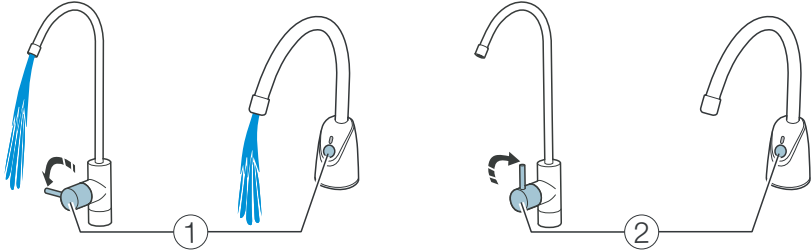


그림 5. 물 생산 켜짐/꺼짐

# 자동 세정

아래 조건 중 한 가지가 충족될 경우 자동 세정 기능이 수행됩니다.

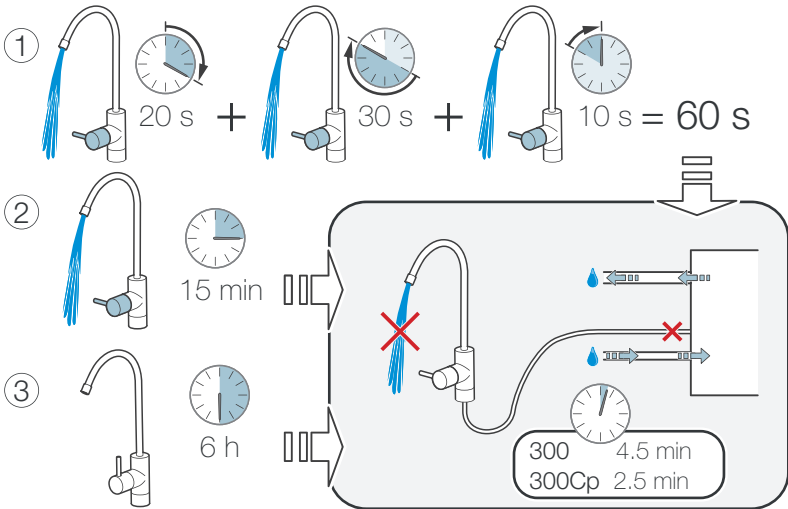


그림 6. 자동 세정

위치	설명
1	배수 후 세정합니다. 60초 미만의 생산 주기가 함께 추가되며, 총 배수 시간이 60초를 초과할 때 세정 기능이 수행됩니다.
2	최대 15분간 작동한 이후 세정합니다. 세정이 완료된 후 다음 생산 주기를 즉시 시작할 수 있습니다.
3	정수기 대기 모드 Spirit에 물 및 전원이 연결되어 있고, 마지막 세정 이후 6시간 이상 경과하면 수행됩니다.

# 유지보수

## 일일 유지보수

### 표시등 확인

단계	조치
1	필터 등 또는 서비스 등이 켜져 있지 않거나 깜빡이지 않는지 확인하십시오.
2	황색 수전 등이 켜져 있지 않거나 깜빡이지 않는지 확인하십시오. (Spirit 300).

### 정수기 세척



화학 물질을 사용하여 표면을 닦지 마십시오. 알코올, 휘발유, 유기 및 무기산, 강력한 염기성 화학물질(예: 농축 식기 세척제)은 표면에 손상을 유발할 수 있습니다.



딱딱하거나 날카로운 도구를 사용하여 정수기를 세척하지 마십시오.

단계	조치
1	외부 표면은 부드럽고 젖은 천과 비누 용액으로 세척하여 먼지, 얼룩 및 때를 제거하십시오.
2	부드럽고 마른 천으로 건조시키십시오.

## 정기 유지보수



정기 유지보수는 올바른 기능 및 장기적인 작동을 위해 중요합니다. 교육받고 인가된 직원만이 유지보수를 실시할 수 있습니다.



유지보수 방법에 대한 지침은 [www.bluewatergroup.com](http://www.bluewatergroup.com)에서 전체 사용자 설명서를 참조하십시오

빈도	설명
1개월	연결부를 확인하십시오 받침 판에서 물방울을 닦아내십시오
4-6개월	필터를 교체하십시오. 4-6개월마다 또는 18,925 l (5,000 gal)의 물을 정수했을 때 중 먼저 도달하는 시점에 필터를 교체하십시오.
6개월*	물때 제거
1년	매년 물을 검사하십시오. 물이 깨끗하지 않은 경우, 마시지 마십시오. Bluewater 판매자에게 문의하십시오.
3-5년*	역삼투 멤브레인 교체

\*빈도는 수질 및 사용량에 따라 변경될 수 있습니다.

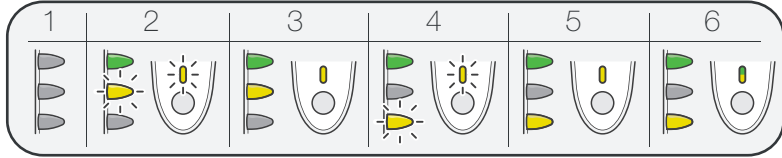


# 문제 해결

## 간단한 문제 해결 방법



심각한 문제의 경우 [www.bluewatergroup.com](http://www.bluewatergroup.com)에서 전체 사용자 설명서를 참조하십시오



증상	원인	해결책
1	켜짐 등이 점등되지 않습니다.	정수기가 전원에 연결되지 않았습니다. 정수기를 전원에 연결하십시오.
	Spirit 300: 수전 케이블이 연결되지 않았습니다.	Spirit 300: 수전 케이블과 커넥터가 연결되어 있는지 확인하십시오.
2	필터 등이 깜빡이고, 수전의 황색 등이 깜빡입니다.	필터를 교체해야 합니다. 전체 사용자 설명서를 참조하십시오.
3	필터 등이 켜져 있고, 수전의 황색 등이 켜져 있습니다.	정수기의 작동이 중지되었습니다. 필터를 교체해야 합니다. 전체 사용자 설명서를 참조하십시오.
4	서비스 등이 깜빡이고, 수전의 황색 등이 깜빡입니다.	수질이 저하되었으나, 마시기에는 안전합니다. 정수기의 작동이 조만간 중지됩니다. 5번을 참조하십시오. Bluewater에 문의하여 멤브레인을 교체하십시오.
5	서비스 등이 켜져 있으며, 수전의 황색 등이 켜져 있습니다.	정수기의 작동이 중지되었습니다. 필터 교체 시 시스템으로 공기가 유입될 수 있습니다. 정수기에서 전원 연결을 차단합니다. 다시 연결하십시오. 정수기에서 자동 세정 기능을 실행하십시오. Bluewater에 문의하여 멤브레인을 교체하십시오.
6	서비스 등이 켜져 있으며, 수전의 황색 및 녹색 등이 켜져 있습니다.	수질 계량기가 작동하지 않습니다. Bluewater 판매자에게 문의하십시오.
수압이 충분하지 않기 때문에 정수기에서 소음이 유발될 수 있습니다.	작동 중 유입구 압력이 1.5 bar 미만입니다.	Bluewater 판매자에게 문의하십시오.
	그리드 필터가 막혔습니다.	전체 사용자 설명서를 참조하십시오.
	필터가 막혔습니다.	전체 사용자 설명서를 참조하십시오.
정수기가 작동하지 않습니다.	정수기가 물을 세정하고 있습니다.	5분 동안 기다려주세요.
	넘침 방지 시스템이 작동 중입니다.	정수기를 전원에서 분리하고, 받침 판을 세척하십시오. 넘침 방지 기능이 다시 작동하면, Bluewater 판매자에게 문의하십시오.
Spirit 300: 수전 등이 켜지지 않았습니다.	전자 수전에 문제가 있습니다.	Bluewater 판매자에게 문의하십시오
	수전 케이블이 연결되지 않았습니다.	수전 케이블과 커넥터가 연결되어 있는지 확인하십시오.
깨끗한 물 수전에서 물이 나오는 유속이 느립니다.	정수기의 물때 제거가 필요합니다.	전체 사용자 설명서를 참조하십시오.
	깨끗한 물 호스가 너무 팽팽하거나 막혔습니다.	깨끗한 물 호스가 자유롭게 유동하는지 확인하십시오.
깨끗한 물 수전에서 물이 나오지 않습니다.	급수 차단 밸브가 닫혔습니다.	급수 차단 밸브를 여십시오.
물에서 이상한 냄새가 납니다.	정수기를 1주 이상 사용하지 않았기 때문에 물 안에서 미생물이 증식하였습니다.	전체 사용자 설명서를 참조하십시오.

KO





Bluewater is a world leading water purification company. Headquartered in Stockholm, Sweden, the company helps people and businesses globally enjoy the health and wellbeing benefits of cleaner, healthier tap water. Bluewater innovates, makes and sells compact water purifiers that harness the company's patented reverse osmosis technology to remove virtually all pollutants from tap water, including lead, bacteria, pesticides, medical residues, chlorine and lime-scale.

Please visit us at [www.bluewatergroup.com](http://www.bluewatergroup.com)



## BLUEWATER

Danderydsgatan 11  
SE-114 26 Stockholm  
Sweden  
E: [info@bluewatergroup.com](mailto:info@bluewatergroup.com)

[www.bluewatergroup.com](http://www.bluewatergroup.com)

